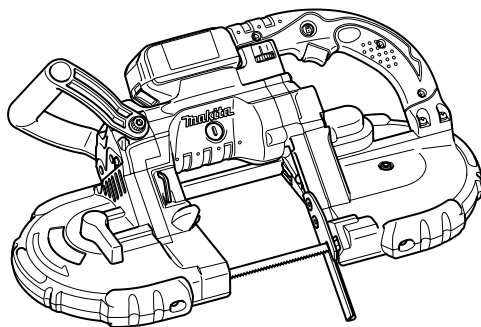
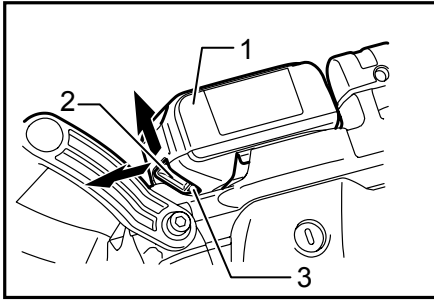




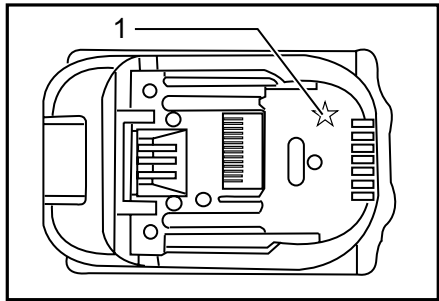
GB	Cordless Portable Band Saw	INSTRUCTION MANUAL
S	Sladdlös portabel bandsåg	BRUKSANVISNING
N	Batteridrevet bærbar båndsaag	BRUKSANVISNING
FIN	Langaton kannettava vannesaha	KÄYTTÖOHJE
LV	Bezvada pārnēsājams lentzāģis	LIETOŠANAS INSTRUKCIJA
LT	Nešiojamas juostinis pjūklas be jungiamųjų laidų	NAUDOJIMO INSTRUKCIJA
EE	Teisaldatav juhtmeta lintsaag	KASUTUSJUHEND
RUS	Аккумуляторная ленточная пила	РУКОВОДСТВО ПО ЭКСПЛУАТАЦИИ

BPB180

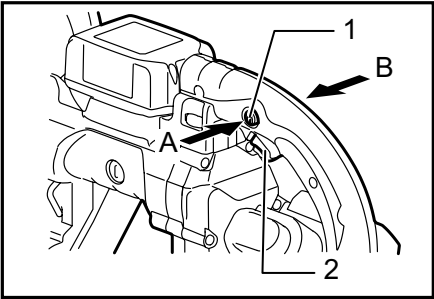




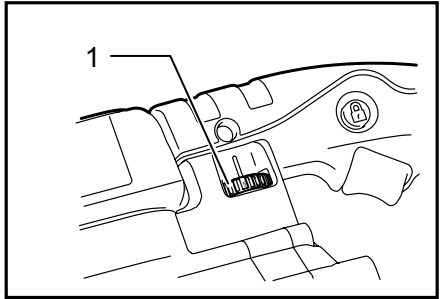
1 014183



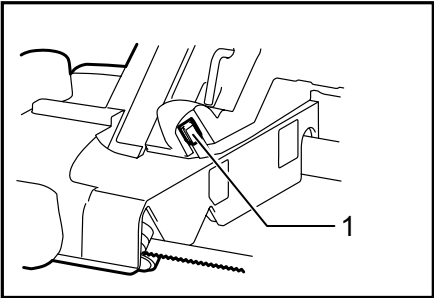
2 012128



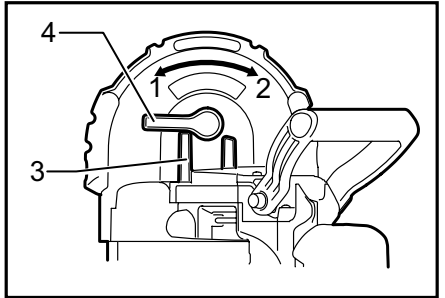
3 007147



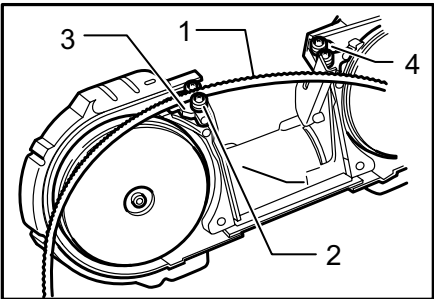
4 007148



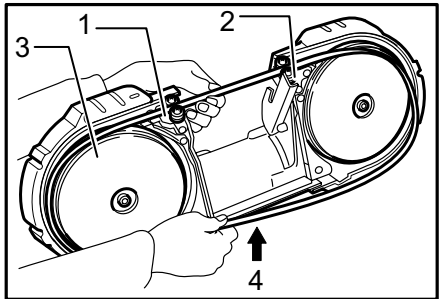
5 007149



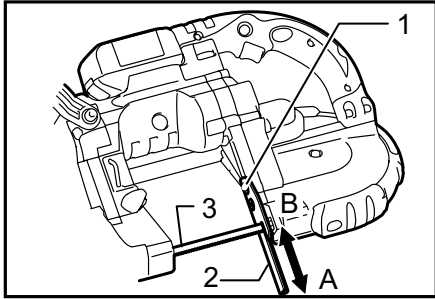
6 007299



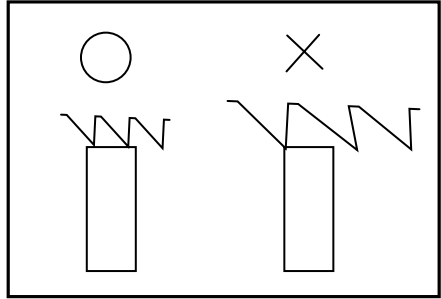
7 006192



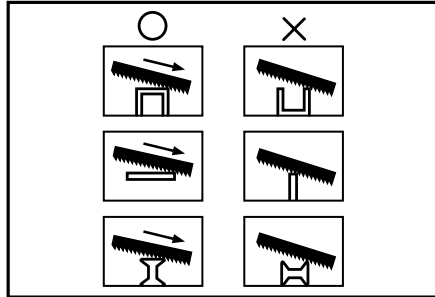
8 006193



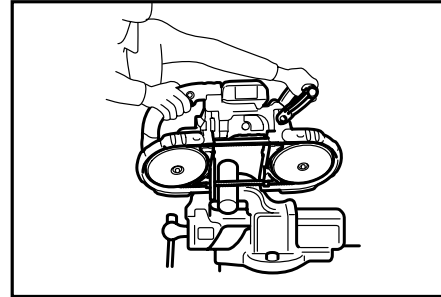
9 007151



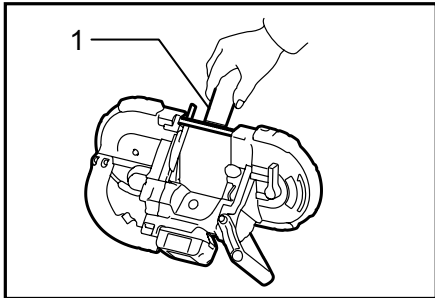
10 007316



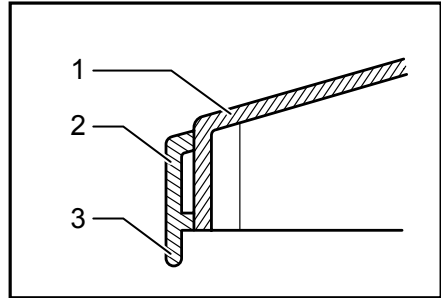
11 004747



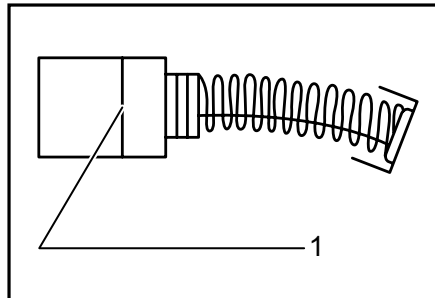
12 007301



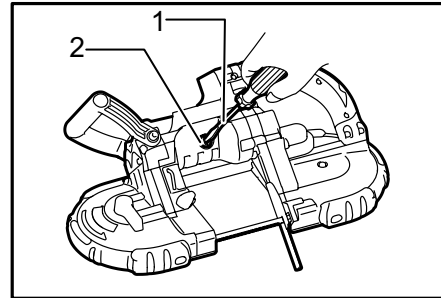
13 007298



14 004750



15 001145



16 007302

ENGLISH (Original instructions)

Explanation of general view

1-1. Battery cartridge	6-3. Protrusion	9-1. Screw
1-2. Button	6-4. Lever	9-2. Stopper plate
1-3. Red indicator	7-1. Blade	9-3. Blade
2-1. Star marking	7-2. Bearing	13-1. Cutting wax
3-1. Lock-off button	7-3. Upper holder	14-1. Wheel
3-2. Switch trigger	7-4. Lower holder	14-2. Tire
4-1. Speed adjusting dial	8-1. Upper holder	14-3. Lip
5-1. Lamp	8-2. Lower holder	15-1. Limit mark
6-1. Tighten	8-3. Wheel	16-1. Screwdriver
6-2. Loosen	8-4. Press	16-2. Brush holder cap

SPECIFICATIONS

Model		BPB180
Max. cutting capacity	Round workpiece	120 mm dia.
	Rectangular workpiece	120 mm x 120 mm
Blade speed		1.4 - 2.7 m/s
Blade size	Length	1,140 mm
	Width	13 mm
	Thickness	0.5 mm
Overall dimensions (L x W x H)		523 mm x 231 mm x 313 mm
Net weight		6.5 kg
Rated voltage		D.C. 18 V

- Due to our continuing program of research and development, the specifications herein are subject to change without notice.
- Specifications and battery cartridge may differ from country to country.
- Weight, with battery cartridge, according to EPTA-Procedure 01/2003

Intended use

The tool is intended for cutting in wood, plastic and ferrous materials.

Noise

The typical A-weighted noise level determined according to EN60745:

Sound pressure level (L_{pA}) : 81 dB (A)

Sound power level (L_{WA}) : 92 dB (A)

Uncertainty (K) : 3 dB (A)

Wear ear protection

Vibration

The vibration total value (tri-axial vector sum) determined according to EN60745:

Work mode : cutting metal

Vibration emission ($a_{h,CM}$) : 2.5 m/s² or less

Uncertainty (K) : 1.5 m/s²

ENE009-1

ENG901-1

- The declared vibration emission value has been measured in accordance with the standard test method and may be used for comparing one tool with another.
- The declared vibration emission value may also be used in a preliminary assessment of exposure.

WARNING:

- The vibration emission during actual use of the power tool can differ from the declared emission value depending on the ways in which the tool is used.
- Be sure to identify safety measures to protect the operator that are based on an estimation of exposure in the actual conditions of use (taking account of all parts of the operating cycle such as the times when the tool is switched off and when it is running idle in addition to the trigger time).

ENG900-1

For European countries only**EC Declaration of Conformity**

We Makita Corporation as the responsible manufacturer declare that the following Makita machine(s):

Designation of Machine:
Cordless Portable Band Saw
Model No./ Type: BPB180
are of series production and

Conforms to the following European Directives:
2006/42/EC

And are manufactured in accordance with the following standards or standardised documents:

EN60745

The technical documentation is kept by:

Makita International Europe Ltd.
Technical Department,
Michigan Drive, Tongwell,
Milton Keynes, Bucks MK15 8JD, England

30.1.2009



000230

Tomoyasu Kato
Director
Makita Corporation
3-11-8, Sumiyoshi-cho,
Anjo, Aichi, 446-8502, JAPAN

GEA010-1

General Power Tool Safety Warnings

⚠ WARNING Read all safety warnings and all instructions. Failure to follow the warnings and instructions may result in electric shock, fire and/or serious injury.

Save all warnings and instructions for future reference.

GEB065-2

CORDLESS PORTABLE BAND SAW SAFETY WARNINGS

1. Hold power tool by insulated gripping surfaces, when performing an operation where the cutting accessory may contact hidden wiring. Cutting accessories contacting a "live" wire may make exposed metal parts of the power tool "live" and could give the operator an electric shock.
2. Use only blades which are listed in "SPECIFICATIONS".
3. Check the blade carefully for cracks or damage before operation. Replace cracked or damaged blade immediately.

4. Secure the workpiece firmly. When cutting a bundle of workpieces, be sure that all workpieces are secured together firmly before cutting.
5. Cutting workpieces covered with oil can cause the blade to come off unexpectedly. Wipe off all excess oil from workpieces before cutting.
6. Never use the cutting oil as a cutting lubricant. Use only Makita cutting wax.
7. Do not wear gloves during operation.
8. Hold the tool firmly with both hands.
9. Keep hands away from rotating parts.
10. When cutting metal, be cautious of hot flying chips.
11. Do not leave the tool running unattended.
12. Do not touch the blade or the workpiece immediately after operation; they may be extremely hot and could burn your skin.

SAVE THESE INSTRUCTIONS.

⚠ WARNING:

DO NOT let comfort or familiarity with product (gained from repeated use) replace strict adherence to safety rules for the subject product. MISUSE or failure to follow the safety rules stated in this instruction manual may cause serious personal injury.

ENC007-8

IMPORTANT SAFETY INSTRUCTIONS

FOR BATTERY CARTRIDGE

1. Before using battery cartridge, read all instructions and cautionary markings on (1) battery charger, (2) battery, and (3) product using battery.
2. Do not disassemble battery cartridge.
3. If operating time has become excessively shorter, stop operating immediately. It may result in a risk of overheating, possible burns and even an explosion.
4. If electrolyte gets into your eyes, rinse them out with clear water and seek medical attention right away. It may result in loss of your eyesight.
5. Do not short the battery cartridge:
 - (1) Do not touch the terminals with any conductive material.
 - (2) Avoid storing battery cartridge in a container with other metal objects such as nails, coins, etc.
 - (3) Do not expose battery cartridge to water or rain.

A battery short can cause a large current flow, overheating, possible burns and even a breakdown.

6. Do not store the tool and battery cartridge in locations where the temperature may reach or exceed 50 ° C (122 ° F).
7. Do not incinerate the battery cartridge even if it is severely damaged or is completely worn out. The battery cartridge can explode in a fire.
8. Be careful not to drop or strike battery.
9. Do not use a damaged battery.
10. Follow your local regulations relating to disposal of battery.

SAVE THESE INSTRUCTIONS.

Tips for maintaining maximum battery life

1. Charge the battery cartridge before completely discharged.
Always stop tool operation and charge the battery cartridge when you notice less tool power.
2. Never recharge a fully charged battery cartridge.
Overcharging shortens the battery service life.
3. Charge the battery cartridge with room temperature at 10 ° C - 40 ° C (50 ° F - 104 ° F). Let a hot battery cartridge cool down before charging it.
4. Charge the battery cartridge once in every six months if you do not use it for a long period of time.

FUNCTIONAL DESCRIPTION

⚠CAUTION:

- Always be sure that the tool is switched off and the battery cartridge is removed before adjusting or checking function on the tool.

Installing or removing battery cartridge

Fig.1

⚠CAUTION:

- Always switch off the tool before installing or removing of the battery cartridge.
- **Hold the tool and the battery cartridge firmly when installing or removing battery cartridge.** Failure to hold the tool and the battery cartridge firmly may cause them to slip off your hands and result in damage to the tool and battery cartridge and a personal injury.

To remove the battery cartridge, slide it from the tool while sliding the button on the front of the cartridge.

To install the battery cartridge, align the tongue on the battery cartridge with the groove in the housing and slip it into place. Insert it all the way until it locks in place with a little click. If you can see the red indicator on the upper side of the button, it is not locked completely.

⚠CAUTION:

- Always install the battery cartridge fully until the red indicator cannot be seen. If not, it may accidentally fall out of the tool, causing injury to you or someone around you.
- Do not install the battery cartridge forcibly. If the cartridge does not slide in easily, it is not being inserted correctly.

Battery protection system

The tool is equipped with a battery protection system. This system automatically cuts off power to the motor to extend battery life.

The tool will automatically stop during operation if the tool and/or battery are placed under one of the following conditions:

- Overloaded:
The tool is operated in a manner that causes it to draw an abnormally high current.
In this situation, turn the tool off and stop the application that caused the tool to become overloaded. Then turn the tool on to restart.
If the tool does not start, the battery is overheated. In this situation, let the battery cool before turning the tool on again.
- Low battery voltage:
The remaining battery capacity is too low and the tool will not operate. In this situation, remove and recharge the battery.

NOTE:

The overheat protection works only with a battery cartridge with a star marking.

Fig.2

Switch action

Fig.3

⚠CAUTION:

- Before inserting the battery cartridge into the tool, always check to see that the switch trigger actuates properly and returns to the "OFF" position when released.

To prevent the switch trigger from accidentally pulled, the lock-off button is provided.

To start the tool, depress the lock-off button from B side and pull the switch trigger.

Release the switch trigger to stop. After use, always press in the lock-off button from A side.

Speed adjusting dial

Fig.4

The tool speed can be infinitely adjusted between 1.4 m/s and 2.7 m/s by turning the adjusting dial. Higher speed is obtained when the dial is turned in the direction of number 6; lower speed is obtained when it is turned in the direction of number 1.

Select the proper speed for the workpiece to be cut.

⚠CAUTION:

- The speed adjusting dial can be turned only as far as 6 and back to 1. Do not force it past 6 or 1, or the speed adjusting function may no longer work.

Lighting up the lamp

Fig.5

⚠CAUTION:

- Do not apply impact to the lamp, which may cause damage or shorted service time to it.

Pull the switch trigger to light up the lamp. The lamp keeps on lighting while the switch trigger is being pulled. The lamp goes out 10 -15 seconds after releasing the trigger.

NOTE:

- Use a dry cloth to wipe the dirt off the lens of lamp. Be careful not to scratch the lens of lamp, or it may lower the illumination.
- Do not use thinner or gasoline to clean the lamp. Such solvents may damage it.
- When the tool is overloaded during operation, the lamp flickers.
- When the remaining battery capacity becomes small, the lamp flickers.

ASSEMBLY

⚠CAUTION:

- Always be sure that the tool is switched off and the battery cartridge is removed before carrying out any work on the tool.

Installing or removing the blade

⚠CAUTION:

- Oil on the blade can cause the blade to slip or come off unexpectedly. Wipe off all excess oil with a cloth before installing the blade.
- Use caution when handling the blade so that you are not cut by the sharp edge of the blade teeth.

Turn the blade tightening lever clockwise until it hits against the protrusion on the frame.

Fig.6

Match the direction of the arrow on the blade to that of the arrow on the wheels.

Fig.7

Position the blade around the wheels and insert the other side of the blade within the upper holder and lower holder until the blade back contacts the bottom of the upper holder and lower holder.

Fig.8

Hold the blade in place and turn the blade-tightening lever counterclockwise until it hits against the protrusion on the frame. This places proper tension on the blade. Make sure that the blade is correctly positioned within the blade guard and around the wheels.

Start and stop the tool two or three times to make sure that the blade runs properly on the wheels.

⚠CAUTION:

- While making sure that the blade runs on the wheels properly, keep your body away from the blade area.

To remove the blade, follow the installation procedure in reverse.

⚠CAUTION:

- When turning the blade tightening lever clockwise to release the tension on the blade, point the tool downward because the blade may come off unexpectedly.

Adjusting the protrusion of stopper plate

Fig.9

In the ordinary operation, protrude the stopper plate to the A side fully.

When the stopper plate strikes against the obstacles like a wall or the like at the finishing of a cut, loosen two screws and slide it to the B side in the figure.

After sliding the stopper plate, secure it by tightening two screws firmly.

OPERATION

It is important to keep at least two teeth in the cut.

Fig.10

Select the proper cutting position for your workpiece by referring to the figure.

Fig.11

Hold the tool by both hands as shown in the figure with the stopper plate contacting the workpiece and the blade clear of the workpiece.

Fig.12

Turn the tool on and wait until the blade attains full speed. Gently lower the blade into the cut. The weight of the tool or slightly pressing the tool will supply adequate pressure for the cutting. Do not force the tool.

As you reach the end of a cut, release pressure and, without actually raising the tool, lift it slightly so that it will not fall against the workpiece.

CAUTION:

- Applying excessive pressure to the tool or twisting of the blade may cause bevel cutting or damage to the blade.
- When not using the tool for a long period of time, remove the blade from the tool.
- If the tool is operated continuously until the battery cartridge has discharged, allow the tool to rest for 15 minutes before proceeding with a fresh battery.

Cutting lubricant

When cutting metals, use Makita cutting wax as a cutting lubricant. To apply the cutting wax to the blade teeth, start the tool and cut in to the cutting wax as shown in the figure after removing a cap of the cutting wax.

Fig.13

CAUTION:

- Never use cutting oil or apply excessive amount of wax to the blade. It may cause the blade to slip or come off unexpectedly.
- When cutting cast iron, do not use any cutting wax.

MAINTENANCE

CAUTION:

- Always be sure that the tool is switched off and the battery cartridge is removed before attempting to perform inspection or maintenance.
- Never use gasoline, benzine, thinner, alcohol or the like. Discoloration, deformation or cracks may result.

Cleaning

After use, remove wax, chips and dust from the tool, wheel tires and blade.

CAUTION:

- Never use solvents such as turpentine, gasoline, lacquer, etc. to clean plastic parts.

- Wax and chips on the tires may cause the blade to slip and come off unexpectedly. Use a dry cloth to remove wax and chips from the tires.

Replacing tires on wheels

Fig.14

When the blade slips or does not track properly because of badly worn tires, or the lip of the tire on motor side gets damaged, the tires should be replaced.

Replacing carbon brushes

Fig.15

Remove and check the carbon brushes regularly. Replace when they wear down to the limit mark. Keep the carbon brushes clean and free to slip in the holders. Both carbon brushes should be replaced at the same time. Use only identical carbon brushes.

Use a screwdriver to remove the brush holder caps. Take out the worn carbon brushes, insert the new ones and secure the brush holder caps.

Fig.16

To maintain product SAFETY and RELIABILITY, repairs, any other maintenance or adjustment should be performed by Makita Authorized Service Centers, always using Makita replacement parts.

OPTIONAL ACCESSORIES

CAUTION:

- These accessories or attachments are recommended for use with your Makita tool specified in this manual. The use of any other accessories or attachments might present a risk of injury to persons. Only use accessory or attachment for its stated purpose.

If you need any assistance for more details regarding these accessories, ask your local Makita Service Center.

- Band saw blades
- Hex wrench 4
- Cutting wax
- Makita genuine battery and charger

NOTE:

- Some items in the list may be included in the tool package as standard accessories. They may differ from country to country.

SVENSKA (Originalbruksanvisning)

Förklaring till översiktstillbilderna

1-1. Batterikassett	6-3. Tapp	9-1. Skruv
1-2. Knapp	6-4. Spak	9-2. Stopplatta
1-3. Röd indikator	7-1. Kniv	9-3. Kniv
2-1. Stjärnmarkering	7-2. Lager	13-1. Skärvox
3-1. Säkerhetsknapp	7-3. Övre hållare	14-1. Hjul
3-2. Avtryckare	7-4. Nedre hållare	14-2. Däck
4-1. Ratt för hastighetsinställning	8-1. Övre hållare	14-3. Kant
5-1. Lampa	8-2. Nedre hållare	15-1. Slitmarkering
6-1. Dra fast	8-3. Hjul	16-1. Skruvmejsel
6-2. Lossa	8-4. Tryck	16-2. Kolhållarlock

SPECIFIKATIONER

Modell		BPB180
Max. skärkapacitet	Runt arbetsstycke	120 mm diam.
	Rektangulärt arbetsstycke	120 mm x 120 mm
Bladhastighet		1,4 - 2,7 m/s
Bladstorlek	Längd	1 140 mm
	Bredd	13 mm
	Tjocklek	0,5 mm
Mått (L x B x H)		523 mm x 231 mm x 313 mm
Vikt		6,5 kg
Märkspänning		18 V likström

- På grund av vårt pågående program för forskning och utveckling kan dessa specifikationer ändras utan föregående meddelande.
- Specifikationer och batterikassett kan variera från land till land.
- Vikt med batterikassett i enlighet med EPTA-procedur 01/2003

ENE009-1

Användningsområde

Verktyget är avsett för skärning i trä, plast och järn.

ENG905-1

Buller

Typiska A-vägdade bullernivån är mätt enligt EN60745:

Ljudtrycksnivå (L_{pA}): 81 dB (A)
Ljudtrycksnivå (L_{WA}): 92 dB (A)
Måttolerans (K) : 3 dB (A)

Använd hörselskydd

ENG900-1

Vibration

Vibrationens totalvärde (tre-axlars vektorsumma) mätt enligt EN60745:

Arbetsläge: metallsågning
Vibrationsemission ($a_{h,CM}$): 2,5 m/s² eller mindre
Måttolerans (K): 1,5 m/s²

ENG901-1

- Det deklarerade vibrationsemissionsvärdet har uppmätts i enlighet med standardtestmetoden och kan användas för jämförandet av en maskin med en annan.
- Det deklarerade vibrationsemissionsvärdet kan också användas i preliminär bedömning av exponering för vibration.

VARNING!

- Vibrationsemissionen under faktisk användning av maskinen kan skilja sig från det deklarerade emissionsvärdet, beroende på hur maskinen används.
- Se till att hitta säkerhetsåtgärder som kan skydda användaren och som grundar sig på en uppskattning av exponering i verkligheten (ta med i beräkningen alla delar av användandet såsom antal gånger maskinen är avstängd och när den körs på tomgång samt då startomkopplaren används).

Gäller endast Europa

EU-konformitetsdeklaration

Vi Makita Corporation som ansvariga tillverkare deklarerar att följande Makita-maskin(er):

Maskinbeteckning:

Sladdlös portabel bandsåg

Modellnr./ Typ: BPB180

är för serieproduktion och

Följer följande EU-direktiv:

2006/42/EC

Och är tillverkade enligt följande standarder eller standardiseringsdokument:

EN60745

Den tekniska dokumentationen förs av:

Makita International Europe Ltd.

Technical Department,

Michigan Drive, Tongwell,

Milton Keynes, Bucks MK15 8JD, England

30.1.2009



Tomoyasu Kato

Direktör

Makita Corporation

3-11-8, Sumiyoshi-cho,

Anjo, Aichi, 446-8502, JAPAN

000230

GEA10-1

Allmänna säkerhetsvarningar för maskin

⚠ VARNING Läs igenom alla säkerhetsvarningar och instruktioner. Underlåtenhet att följa varningar och instruktioner kan leda till elektrisk stöt, brand och/eller allvarliga personskador.

Spara alla varningar och instruktioner för framtida referens.

GEB065-2

SÄKERHETSVARNINGAR FÖR SLADDLÖS PORTABEL BANDSÅG

- Håll i maskinens isolerade greppytor när det finns risk för att skärbladet kan komma i kontakt med en dold ledning. Om skärbladet kommer i kontakt med en strömförande ledning kan maskinens metalledar bli strömförande och ge operatören en elektrisk stöt.
- Använd endast band som anges i "SPECIFIKATIONER".
- Kontrollera noga före användning att sågbladet inte har sprickor eller är skadat. Byt omedelbart ut ett skadat eller sprucket sågblad.

- Sätt fast arbetsstycket ordentligt. Om flera arbetsstycken ska sågas samtidigt måste de först spännas ihop ordentligt.
- Om oljiga arbetsstycken sågas kan bladet lossna på ett oväntat sätt. Torka bort all överflödiga olja före sågning.
- Använd aldrig skärolja som smörjmedel. Använd endast Makitas skärvax.
- Använd inte handskar under arbetet.
- Håll maskinen stadigt med båda händerna.
- Håll händerna på avstånd från roterande delar.
- Se upp för skärspån vid sågning i metall.
- Lämna inte maskinen oövervakad när den är igång.
- Rör inte vid bladet eller arbetsstycket omedelbart efter användning eftersom de kan vara mycket heta och orsaka brännskador.

SPARA DESSA ANVISNINGAR.

⚠ VARNING!

GLÖM INTE att noggrant följa säkerhetsanvisningarna för maskinen även efter det att du har blivit van att använda den. **OVARSAM** hantering eller underlåtenhet att följa säkerhetsanvisningarna i denna bruksanvisning kan leda till allvarliga personskador.

ENC007-8

VIKTIGA SÄKERHETSANVISNINGAR

FÖR BATTERIKASSETT

- Innan batterikassetten används ska alla instruktioner och varningsmärken på (1) batteriladdaren, (2) batteriet och (3) produkten läsas.
- Montera inte isär batterikassetten.
- Om drifttiden blivit avsevärt kortare ska användningen avbrytas omedelbart. Det kan uppstå överhettning, brännskador och t o m en explosion.
- Om du får elektrolyt i ögonen ska de sköljas med rent vatten och läkare uppsöks omedelbart. Det finns risk för att synen förloras.
- Kortslut inte batterikassetten.
 - Rör inte vid polerna med något strömförande material.
 - Undvik att förvara batterikassetten tillsammans med andra metallobjekt som t ex spikar, mynt etc.
 - Skydda batteriet mot vatten och regn.
 Ett kortslutet batteri kan orsaka ett stort strömflöde, överhettning, risk för brännskador och maskinen kan till och med gå sönder.
- Förvara inte maskinen och batterikassetten på platser där temperaturen kan nå eller överstiga 50 ° C (122 ° F).

7. Bränn inte upp batterikassetten även om den är svårt skadad eller helt utsliten. Batterikassetten kan explodera i öppen eld.
8. Var försiktig så att du inte råkar tappa batteriet och utsätt det inte för stötar.
9. Använd inte ett skadat batteri.
10. Följ lokala föreskrifter beträffande avfallshantering av batterier.

SPARA DESSA ANVISNINGAR.

Tips för att uppnå batteriets maximala livslängd

1. Ladda batterikassetten innan den är helt urladdad.
Sluta att använda maskinen och ladda batterikassetten när du märker att kraften avtar.
2. Ladda aldrig en fulladdad batterikassett.
Överladdning förkortar batteriets livslängd.
3. Ladda batterikassetten vid rumstemperaturer mellan 10 ° C och 40 ° C (50 ° F - 104 ° F). Låt en varm batterikassett svalna innan den laddas.
4. Ladda batterikassetten om du inte har använt den på mer än sex månader.

FUNKTIONSBESKRIVNING

⚠FÖRSIKTIGT!

- Se alltid till att maskinen är avstängd och batterikassetten borttagen innan du justerar eller kontrollerar maskinens funktioner.

Montera eller demontera batterikassetten

Fig.1

⚠FÖRSIKTIGT!

- Stäng alltid av maskinen innan du monterar eller tar bort batterikassetten.
- **Håll stadigt i maskinen och batterikassetten när du installerar eller tar bort batterikassetten.** Om du inte håller stadigt i maskinen och batterikassetten kan de halka ur dina händer och skadas samt orsaka personskada.

Ta bort batterikassetten genom att skjuta ner knappen på kassetten framsida samtidigt som du drar ut batterikassetten.

Sätt i batterikassetten genom att rikta in tungan på batterikassetten mot spåret i höljet och skjut den på plats. Tryck in batterikassetten ordentligt tills den låser fast med ett klick. Om du kan se den röda indikatorn på knappens ovansida är batterikassetten inte låst ordentligt.

⚠FÖRSIKTIGT!

- Sätt alltid i batterikassetten helt tills den röda indikatorn inte längre syns. I annat fall kan den oväntat falla ur maskinen och skada dig eller någon annan.
- Montera inte batterikassetten med våld. Om kassetten inte lätt glider på plats är den felinsatt.

Skyddssystem för batteri

Maskinen är utrustad med ett batteriskyddssystem. Detta system bryter automatiskt strömmen till motorn för att förlänga batteriets livslängd.

Maskinen stanna automatiskt under användningen om maskinen och/eller batteriet hamnar i en av följande situationer:

- **Överbelastad:**
Maskinen används på ett sätt som orsakar att den förbrukar onormalt mycket ström.
Om detta inträffar ska du stänga av maskinen och avbryta arbetet som ledde till att maskinen blev överbelastad. Starta därefter maskinen för att starta om arbetet.
Om maskinen inte startar är batteriet överhettat. Om detta inträffar ska du låta batteriet svalna innan du startar maskinen igen.
- **Batterispänningen faller:**
Den kvarvarande batterikapaciteten är för låg och maskinen fungerar inte. I detta läge tar du bort batteriet och laddar det.

OBS!

Överhettningsskyddet fungerar endast med en stjämmärkt batterikasset.

Fig.2

Avtryckarens funktion

Fig.3

⚠FÖRSIKTIGT!

- Innan du sätter i batterikassetten i maskinen ska du kontrollera att avtryckaren fungerar och återgår till läget "OFF" när du släpper den.

Startspärren förhindrar oavsiktlig aktivering av avtryckaren.

Tryck in startspärren från sidan B och tryck därefter på avtryckaren för att starta sågen.

Släpp avtryckaren för att stoppa sågen. Tryck alltid in startspärren från sidan A efter användning.

Ratt för hastighetsinställning

Fig.4

Maskinens hastighet kan varieras steglöst mellan 1,4 och 2,7 m/s genom att vrida på justeringsratten. Högsta hastigheten får du med inställningen 6 och lägsta med 1. Välj rätt hastighet för det arbetsstycke som ska sågas.

⚠FÖRSIKTIGT!

- Ratten för hastighetsinställning kan endast vridas till 6 och tillbaka till 1. Tvinga den inte förbi 6 eller 1, eftersom det kan leda till att funktionen för hastighetsinställning inte längre fungerar.

Tända lamporna

Fig.5

⚠FÖRSIKTIGT!

- Akta lampan för stötar då detta kan skada den eller förkorta dess livslängd.

Tryck in avtryckaren för att tända lampan. Lampan fortsätter att lysa så länge du håller in avtryckaren. Lampan slocknar 10 - 15 sekunder efter att du har släppt avtryckaren.

OBS!

- Använd en torr trasa för att torka bort smuts från lampglasat. Var försiktig så att inte lampglasat repas eftersom ljuset då kan bli svagare.
- Använd inte thinner eller bensin för att rengöra lampan. Sådana lösningsmedel kan skada den.
- Lampan blinkar om maskinen överbelastas under sågning.
- Lampan blinkar när batteriet blir svagt.

MONTERING

⚠FÖRSIKTIGT!

- Se alltid till att maskinen är avstängd och batterikassetten borttagen innan du underhåller maskinen.

Sätta fast eller ta bort sågbladet

⚠FÖRSIKTIGT!

- Olja på bladet kan göra att det halkar eller lossnar. Torka bort all överflödigt olja med en trasa innan du sätter fast bladet.
- Var försiktig när du hanterar bladet så att du inte skär dig på de vassa tänderna.

Vrid bandspännaren medurs tills den utskjutande klacken på kåpan tar emot.

Fig.6

Passa in det nya bladet så att pilarna på bladet och hjulen pekar åt samma håll.

Fig.7

Placera bladet runt hjulen och för in den andra sidan av bladet i de övre och nedre hållarna tills den ligger an mot botten på hållarna.

Fig.8

Håll bladet på plats och vrid bandspännaren moturs tills den utskjutande klacken på kåpan tar emot. På så sätt spänns bladet på rätt sätt. Se till att bladet sitter rätt i bandstyrningen och runt hjulen. Starta och stoppa maskinen två eller tre gånger för att kontrollera att bandet löper rätt.

⚠FÖRSIKTIGT!

- Håll säkerhetsavstånd till bandområdet när du kontrollerar att bandet löper rätt.

Demontera sågbladet genom att följa monteringsproceduren i omvänd ordning.

⚠FÖRSIKTIGT!

- När du lossar bandspänningen genom att vrida spännaren medurs ska maskinen vändas nedåt eftersom bladet kan lossna oväntat från hjulen.

Ändra stopplattans läge

Fig.9

Vid vanlig användning ska stopplattan vara helt utdragen på A-sidan.

Om stopplattan hindrar arbetet, till exempel stöter emot en vägg i slutet av sågningen, lossar du de två skruvarna och skjuter plattan till B-sidan enligt figuren.

När du har flyttat stopplattan skruvar du fast den igen med de två skruvarna.

ANVÄNDNING

Det är viktigt att hålla minst två sågtänder i sågspåret.

Fig.10

Välj en lämplig placering av arbetsstycket enligt figuren.

Fig.11

Håll maskinen med båda händerna enligt figuren så att stopplattan, men inte sågbladet, vilar mot arbetsstycket.

Fig.12

Starta maskinen och vänta tills bandet uppnått full hastighet. Sänk sedan bladet försiktigt mot sågspåret.

Maskinens egen tyngd, eller ett lätt tryck, är tillräckligt för sågningen. Tryck inte hårt med maskinen.

När du kommer till slutet av sågningen låt du på trycket och lyfter maskinen, men bara så pass mycket att bladet inte ligger an mot arbetsstycket.

⚠FÖRSIKTIGT!

- Om du trycker hårt med maskinen eller böjer bandet kan du få sneda skär eller skada bandet.
- När maskinen inte ska användas under en längre tid ska bladet tas ur.
- Om maskinen används löpande tills batteriet är tomt bör maskinen vila 15 minuter innan arbetet fortsätter med ett laddat batteri.

Smörjmedel

Använd Makitas skärvax som smörjmedel vid sågning i metall. När du ska lägga på skärvaxet på sågtänderna tar du bort locket på vaxet, startar maskinen och sågar i vaxet enligt figuren.

Fig.13

⚠FÖRSIKTIGT!

- Använd aldrig skärolja och lägg inte på onödigt mycket vax på bladet. Det kan medföra att bandet halkar eller lossnar.
- Använd aldrig skärvax vid sågning i gjutjärn.

UNDERHÅLL

⚠FÖRSIKTIGT!

- Se alltid till att maskinen är avstängd och batterikassetten borttagen innan inspektion eller underhåll utförs.
- Använd inte bensin, thinner, alkohol eller liknande. Missfärgning, deformation eller sprickor kan uppstå.

Rengöring

Efter användning avlägsnar du vax, spån och damm från maskin, däck och blad.

⚠FÖRSIKTIGT!

- Använd aldrig lösningsmedel som t ex terpentin, bensin, lacker osv för att rengöra plastdetaljer.
- Vax eller spån på däck kan medföra att bladet halkar eller lossnar. Använd en torr trasa för att torka bort vax och spån från däck.

Byta däck på hjulen

Fig.14

När bladet halkar eller inte dras runt som det ska på grund av att däck är slitna eller kanten på motorsidan har skadats måste du byta däck.

Byte av kolborstar

Fig.15

Ta bort och kontrollera kolborstarna regelbundet. Byt dem när de är slitna ner till slitmarkeringen. Håll kolborstarna rena så att de lätt kan glida in i hållarna. Båda kolborstarna ska bytas ut samtidigt. Använd endast identiska kolborstar.

Använd en skruvmejsel för att ta bort locken till kolborstarna. Ta ur de utslitna kolborstarna, montera nya och montera locken.

Fig.16

För att upprätthålla produktens SÄKERHET och TILLFÖRLITLIGHET bör allt underhålls- och justeringsarbete utföras av ett auktoriserat Makita servicecenter och med reservdelar från Makita.

VALFRIA TILLBEHÖR

⚠FÖRSIKTIGT!

- Dessa tillbehör och tillsatser rekommenderas för användning tillsammans med den Makita-maskin som denna bruksanvisning avser. Om andra tillbehör eller tillsatser används kan det uppstå risk för personskador. Använd endast tillbehören eller tillsatserna för de syften de är avsedda för.

Kontakta ditt lokala Makita servicecenter om du behöver ytterligare information om dessa tillbehör.

- Bandsågblad
- Insexnyckel 4
- Skärvax
- Makitas originalbatteri och -laddare.

OBS!

- Några av tillbehören i listan kan vara inkluderade i maskinpaketet som standardtillbehör. De kan variera mellan olika länder.

NORSK (originalinstruksjoner)

Oversiktsforklaring

1-1. Batteri	6-3. Fremspring	9-1. Skruer
1-2. Knapp	6-4. Spak	9-2. Stopperplate
1-3. Rød indikator	7-1. Blad	9-3. Blad
2-1. Stjernermerking	7-2. Lager	13-1. Skjærevoks
3-1. AV-sperreknapp	7-3. Øvre holder	14-1. Hjul
3-2. Startbryter	7-4. Nedre holder	14-2. Dekk
4-1. Hastighetsinnstillingshjul	8-1. Øvre holder	14-3. Leppe
5-1. Lampe	8-2. Nedre holder	15-1. Utsiftingsmerke
6-1. Stramme	8-3. Hjul	16-1. Skrutrekker
6-2. Løsne	8-4. Trykk	16-2. Børsteholderhette

TEKNISKE DATA

Modell		BPB180
Maksimal skjærekapasitet	Rundt arbeidsemne	120 mm diam.
	Rektangulært arbeidsemne	120 mm x 120 mm
Bladhastighet		1,4 - 2,7 m/s
Bladstørrelse	Lengde	1 140 mm
	Bredde	13 mm
	Tykkelse	0,5 mm
Totale mål (L x B x H)		523 mm x 231 mm x 313 mm
Nettovekt		6,5 kg
Merkespenning		DC 18 V

- Som følge av vårt kontinuerlige forsknings- og utviklingsprogram kan de tekniske dataene endres uten ytterligere forvarsel.
- Tekniske data og batteri kan variere fra land til land.
- Vekt, med batteri, i henhold til EPTA-prosedyre 01/2003

ENE009-1

Beregnet bruk

Denne maskinen er laget for å skjære i tre, plastikk og jernholdige materialer.

ENG905-1

Støy

Typisk A-vektet lydtryknivå er bestemt i henhold til EN60745:

Lydtryknivå (L_{pA}): 81 dB (A)
Lydeffektnivå (L_{WA}): 92 dB (A)
Usikkerhet (K): 3 dB (A)

Bruk hørselvern

ENG900-1

Vibrasjon

Den totale vibrasjonsverdien (triaksial vektorsum) bestemt i henhold til EN60745:

Arbeidsmåte: kutte metall
Genererte vibrasjoner ($a_{h,CM}$): 2,5 m/s² eller mindre
Usikkerhet (K): 1,5 m/s²

ENG901-1

- Den angitte verdien for de genererte vibrasjonene er blitt målt i samsvar med standardtestmetoden og kan brukes til å sammenlikne et verktøy med et annet.
- Den angitte verdien for de genererte vibrasjonene kan også brukes til en foreløpig vurdering av eksponeringen.

ADVARSEL:

- De genererte vibrasjonene ved faktisk bruk av elektroverktøyet kan avvike fra den oppgitte vibrasjonsverdien, avhengig av hvordan verktøyet brukes.
- Vær påpasselig med å finne sikkerhetstiltak som beskytter operatøren, basert på en oppfatning av risiko under faktiske bruksforhold (på bakgrunn av alle sider ved brukssyklusen, som når verktøyet slås av og når det går på tomgang, i tillegg til oppstarten).

Gjelder bare land i Europa**EF-samsvarserklæring**

Som ansvarlig produsent erklærer Makita Corporation at følgende Makita-maskin(er):

Maskinbetegnelse:

Batteridrevet bærbar båndsgag

Modellnr./type: BPB180

er serieprodusert og

Samsvarer med følgende europeiske direktiver:

2006/42/EC

Og er produsert i samsvar med følgende standarder eller standardiserte dokumenter:

EN60745

Den tekniske dokumentasjonen oppbevares hos:

Makita International Europe Ltd.

Technical Department,

Michigan Drive, Tongwell,

Milton Keynes, Bucks MK15 8JD, England

30.1.2009



000230

Tomoyasu Kato

Direktør

Makita Corporation

3-11-8, Sumiyoshi-cho,

Anjo, Aichi, 446-8502, JAPAN

GEA010-1

Generelle advarsler angående sikkerhet for elektroverktøy

⚠ ADVARSEL Les alle sikkerhetsadvarslene og alle instruksjonene. Hvis du ikke følger alle advarslene og instruksjonene som er oppført nedenfor, kan det føre til elektriske støt, brann og/eller alvorlige helseskader.

Oppbevar alle advarsler og instruksjoner for senere bruk.

GEB065-2

SIKKERHETSADVARSLER FOR TRÅDLØS OG FLYTTBAR BÅNDSGAG

- Hold maskinen i det isolerte håndtaket når skjæreverktøyet kan komme i kontakt med skjulte ledninger under arbeidet. Skjæreverktøyer som berører en strømførende ledning, kan gjøre at metalldelene på verktøyet blir strømførende og gi brukeren elektrisk støt.
- Bruk av blad som er oppført i "SPESIFIKASJONER".
- Før du begynner å bruke maskinen, må du kontrollere nøye at bladet ikke har sprekker eller andre skader. Skift ut sprukne eller ødelagte blader omgående.

- Fest arbeidsstykket godt. Når du skal kutte flere arbeidsstykker som er buntet sammen, må du forvise deg om at alle arbeidsstykkene sitter godt før du kutter dem.
- Hvis du skal kutte arbeidsstykker som er dekket av olje, kan bladet plutselig hoppe av. Tørk av all overskytende olje fra arbeidsstykkene før du kutter dem.
- Sagolje må aldri brukes som skjæremiddel. Bruk kun skjærevoks fra Makita.
- Ikke bruk hansker under arbeidet.
- Hold maskinen fast med begge hender.
- Hold hendene unna roterende deler.
- Når du kutter metall, må du være oppmerksom på faren for varmt, flygende metallspion.
- Ikke gå fra maskinen mens den er i gang.
- Ikke berør bladet eller arbeidsstykket umiddelbart etter saging. Disse vil da være ekstremt varme, og du kan få brannskader.

TA VARE PÅ DISSE INSTRUKSENE.

⚠ ADVARSEL:

Selv om du har brukt produktet mye og føler deg fortlølig med det, er det likevel svært viktig at du følger nøye de retningslinjene for sikkerhet som er utarbeidet for dette produktet. MISBRUK av verktøyet eller mislighold av sikkerhetsreglene i denne brukerhåndboken kan resultere i alvorlige helseskader.

ENC007-8

VIKTIGE SIKKERHETSINSTRUKSJONER

FOR BATTERIET

- Før du begynner å bruke batteriet, må du lese alle anvisninger og forsiktighetsregler på (1) batteriladeren, (2) batteriet og (3) det produktet batteriet skal brukes i.
- Ikke ta fra hverandre batteriet.
- Hvis driftstiden er blitt vesentlig kortere, må du omgående slutte å bruke maskinen. Hvis ikke kan resultatet bli overoppheting, mulig forbrenninger eller til og med en eksplosjon.
- Hvis du får elektrolytt i øynene, må du skylle dem med store mengder rennende vann og oppsøke lege med én gang. Denne typen uhell kan føre til varig blindhet.
- Ikke kortslett batteriet.
 - Ikke berør batteripolene med ledende materialer.
 - Ikke lagre batteriet i samme beholder som andre metallgjenstander, som for eksempel spiker, mynter osv.
 - Ikke la batteriet komme i kontakt med vann eller regn.

En kortslutning av batteriet kan føre til et kraftig strømstøt, overoppheting, mulige forbrenninger og til og med til at batteriet går i stykker.

- Ikke lagre maskinen og batteriet på steder hvor temperaturen kan komme opp i eller overskride 50 ° C (122 ° F).
- Ikke sett fyr på batteriet, ikke engang om det er sterkt skadet eller helt utslitt. Batteriet kan eksplodere hvis det begynner å brenne.
- Vær forsiktig så du ikke mister batteriet eller utsetter det for slag.
- Ikke bruk batterier som er skadet.
- Følg lokale bestemmelser for avhengig av batterier.

TA VARE PÅ DISSE INSTRUKSENE.

Tips for å opprettholde maksimal batterilevetid

- Lad batteriet igjen før det er fullstendig utladet. Hold alltid opp å bruke maskinen når du merker at det er lite strøm på batteriet. Sett batteriet til lading.
- Et helt oppladet batteri må aldri settes til ny lading. Overopplading forkorter batteriets levetid.
- Lad batteriet ved romtemperatur ved 10 ° C - 40 ° C (50 ° F - 104 ° F). Hvis batteriet er varmt, må det få avkjøle seg før lading.
- Lad batteriet én gang hver sjette måned hvis det ikke blir brukt i en lengre periode.

FUNKSJONSBEKRIVELSE

⚠FORSIKTIG:

- Forviss deg alltid om at maskinen er slått av og batteriet tatt ut før du justerer maskinen eller kontrollerer dens mekaniske funksjoner.

Sette inn eller ta ut batteri

Fig.1

⚠FORSIKTIG:

- Slå alltid av verktøyet før du setter inn eller fjerner batteriet.
- Hold godt rundt maskinen og batteriet når du setter inn eller tar ut batteriet.** Hvis du mister ned maskinen eller batteriet, kan dette forårsake personskader eller skader på maskinen/batteriet.

For å ta ut batteriet må du skyve på knappen foran på batteriet og trekke det ut.

Når du skal sette inn batteriet, må du plassere tungen på batteriet på linje med sporet i huset og skyve batteriet på plass. Skyv det helt inn til det går i inngrep med et lite klikk. Hvis du kan se den røde anviseren på oversiden av knappen, er det ikke gått skikkelig i lås.

⚠FORSIKTIG:

- Batteriet må alltid settes helt inn, så langt at den røde anviseren ikke lenger er synlig. Hvis du ikke gjør dette, kan batteriet falle ut av maskinen og skade deg eller andre som oppholder seg i nærheten.
- Ikke bruk makt når du setter i batteriet. Hvis batteriet ikke blir lett inn, er det fordi det ikke settes inn på riktig måte.

Batteribeskyttelsessystem

Verktøyet er utstyrt med et batterivernsystem. Dette systemet slår automatisk av strømmen til motoren for å forlenge batteriets levetid.

Verktøyet stopper automatisk ved drift hvis det og/eller batteriet utsettes for en av følgende tilstander:

- Overbelastning:
Verktøyet brukes på en måte som gjør at det trekker uvanlig mye strøm.
I denne situasjonen slår du verktøyet av og stanser bruken som førte til at verktøyet ble overbelastet. Slå deretter verktøyet på for å starte på nytt.
Hvis verktøyet ikke starter, er batteriet overopphetet. I denne situasjonen lar du batteriet kjøle seg ned før du slår verktøyet på igjen.
- Lav batterispenning:
Gjenværende batterikapasitet er for lav, og verktøyet vil ikke fungere. I dette tilfellet, fjern og lad batteriet opp igjen.

MERK:

Beskyttelsen mot overoppheting fungerer bare for batterier med stjernemarkering.

Fig.2

Bryterfunksjon

Fig.3

⚠FORSIKTIG:

- Før du setter batteriet inn i maskinen, må du alltid kontrollere at startbryteren aktiverer maskinen på riktig måte og går tilbake til "AV"-stilling når den slippes.

For å forhindre at startbryteren trykkes ved en feiltakelse, er det en låseknapp på maskinen.

Når du starter maskinen, må du trykke på låseknappen fra B-siden og trykke på startbryteren.

Slipp startbryteren for å stoppe. Trykk alltid inn AV-sperreknappen fra A-siden etter bruk.

Turtallsinnstillingshjul

Fig.4

Hastigheten kan justeres trinnløst mellom 1,4 m/s og 2,7 m/s med innstillingshjulet. Hastigheten øker når innstillingshjulet dreies mot 6, og synker når hjulet dreies mot 1.

Velg riktig hastighet for arbeidsstykket som skal sages.

⚠FORSIKTIG:

- Turtallsinnstillingshjulet kan kun dreies til 6 og så tilbake til 1. Ikke prøv å dreie det forbi 6 eller 1, ellers kan det hende at turtallsinnstillingen slutter å virke.

Tenne lampen

Fig.5

⚠FORSIKTIG:

- Ikke utsett lampen for støt, da dette kan skade den eller redusere levetiden.

Trykk på startbryteren for å tenne lampen. Lampen fortsetter å lyse så lenge startbryteren holdes inne. Lampen slukkes 10 - 15 sekunder etter at startbryteren er sluppet.

MERK:

- Bruk en tørr klut til å tørke støv osv. av lampelinsen. Vær forsiktig så det ikke blir riper i lampelinsen, da dette kan redusere lysstyrken.
- Ikke bruk tynner eller bensin til å rengjøre lampen. Denne typen løsninger kan ødelegge den.
- Hvis maskinen blir overbelastet under bruk, flimrer lyset.
- Når det er lite strøm igjen på batteriet, flimrer lyset i lampen.

MONTERING

⚠FORSIKTIG:

- Forviss deg alltid om at maskinen er slått av og batteriet tatt ut før du utfører noe arbeid på maskinen.

Montere eller demontere sagbladet

⚠FORSIKTIG:

- Olje på bladet kan gjøre at det til gli eller plutselig løsner. Tørk av all overflødig olje med en klut før du monterer bladet.
- Vær forsiktig når du håndterer bladet, så du ikke skjærer deg på den skarpe sagtanneggen.

Drei bladstrammerhendelen med klokken til den støter mot fremspringet på rammen.

Fig.6

Pass på at pilretningen på bladet stemmer overens med pilretningen på hjulene.

Fig.7

Legg bladet rundt hjulene, og sett den andre enden av bladet inn i den øvre holderen og den nedre holderen til baksiden av bladet kommer i berøring med bunnen på den øvre og den nedre holderen.

Fig.8

Hold bladet på plass, og drei bladstrammerhendelen mot klokken til den støter mot fremspringet på rammen. Dette gir riktig stramming på bladet. Pass på at bladet er plassert riktig i bladvernet og rundt hjulene.

Start og stopp maskinen to eller tre ganger for å forvise deg om at bladet beveger seg riktig på hjulene.

⚠FORSIKTIG:

- Mens du kontrollerer om bladet går riktig på hjulene, må du holde kroppen unna sagbladområdet.

Demonter bladet ved å følge monteringsprosedyren i motsatt rekkefølge.

⚠FORSIKTIG:

- Hvis bladstrammerenheten dreies med klokken for å reduseres strammingen, må maskinen vende nedover, da bladet plutselig kan løsne.

Justere fremspringet på stopperplaten

Fig.9

Under vanlig bruk skal stopperplaten stå så langt som mulig mot A-siden.

Når stopperplaten støter mot en hindring, f.eks. en vegg eller liknende, ved slutten av et snitt, må du løsne de to skruene og skyve stopperplaten mot B-siden.

Etter at stopperplaten er skjøvet til ønsket posisjon, må du feste den ved å stramme de to skruene godt.

BRUK

Det er viktig å beholde minst to tenner i snittet.

Fig.10

Velg riktig kutteposisjon for arbeidsstykket ditt ved å ta figuren til hjelp.

Fig.11

Hold maskinen med begge hender som vist på figuren, med stopperplaten i berøring med arbeidsstykket og bladet klar av arbeidsstykket.

Fig.12

Slå på maskinen og vent til bladet oppnår full hastighet. Senk bladet forsiktig ned i snittet. Vekten av maskinen eller et lett press mot maskinen vil gi nok trykk til å utføre snittet. Ikke bruk makt.

Når du kommer til enden av snittet, må du lette trykket på maskinen og heve den litt (uten å ta den ut av snittet), så den ikke faller ned på arbeidsstykket.

⚠FORSIKTIG:

- Hvis du bruker makt eller vrir bladet, kan snittet bli skjevt og bladet ødelagt.
- Hvis du ikke har tenkt å bruke maskinen over en lengre periode, må du demontere bladet.
- Hvis verktøyet brukes kontinuerlig inntil batteriet er utladet, må du la verktøyet hvile i 15 minutter før du fortsetter med et nytt batteri.

Skjæremiddel

Når du kutter metall, må du bruke skjærevoks fra Makita som skjæremiddel. Når du skal påføre skjærevoksen på sagbladetennene, må du ta lokket av skjærevoksen. Start deretter maskinen og sag i skjærevoksen som vist i figuren.

Fig.13

⚠FORSIKTIG:

- Bruk aldri sagolje, og ta aldri overdrevent store mengder sagvoks på bladet. Dette kan få bladet til å glippe eller løsne uten forvarsel.
- Når du kutter støpejern, må du ikke bruke skjærevoks.

VEDLIKEHOLD

⚠FORSIKTIG:

- Forviss deg alltid om at maskinen er slått av og batteriet tatt ut før du foretar inspeksjon eller vedlikehold.
- Aldri bruk gasolin, bensin, tynner alkohol eller lignende. Det kan føre til misfarging, deformering eller sprekkdannelse.

Rengjøring

Etter bruk må du fjerne voks, spon og støv fra verktøyet, dekkene og bladet.

⚠FORSIKTIG:

- Bruk aldri løsemidler som f.eks. terpentint, bensin, lakk osv. til å rengjøre plastdeler.
- Voks og spon på dekkene kan få bladet til å glippe og løsne uten forvarsel. Bruk en tørr klut til å fjerne voks og spon fra dekkene.

Skifte dekk på hjulene

Fig.14

Når bladet glipper eller ikke sporer korrekt som følge av svært slitte dekk, eller leppen på dekket på motorsiden blir ødelagt, må dekkene skiftes.

Skifte kullbørster

Fig.15

Fjern og kontroller kullbørstene med jevne mellomrom. Skift dem når de er slitt ned til utskiftingsmerket. Hold kullbørstene rene og fri til å bevege seg i holderne. Begge kullbørstene må skiftes samtidig. Bruk bare identiske kullbørster.

Bruk en skrutekey til å fjerne børsteholderhettene. Ta ut de slitte kullbørstene, sett i nye, og fest børsteholderhettene.

Fig.16

For å opprettholde produktets SIKKERHET og PÅLITELIGHET, må reparasjoner, vedlikehold og justeringer utføres av Makitas autoriserte servicesentre, og det må alltid brukes reservedeler fra Makita.

VALGFRITT TILBEHØR

⚠FORSIKTIG:

- Det anbefales at du bruker dette tilbehøret eller verktøyet sammen med den Makita-maskinen som er spesifisert i denne håndboken. Bruk av annet tilbehør eller verktøy kan forårsake helseskader. Tilbehør og verktøy må kun brukes til det formålet det er beregnet på.

Ta kontakt med ditt lokale Makita-servicesenter hvis du trenger mer informasjon om dette tilbehøret.

- Båndsagblader
- Sekskantnøkkel 4
- Skjærevoks
- Makita originalbatteri og lader

MERK:

- Enkelte elementer i listen kan være inkludert som standardtilbehør i verktøypakken. Elementene kan variere fra land til land.

SUOMI (alkuperäiset ohjeet)

Yleiselostus

1-1. Akku	6-3. Ulkonema	9-1. Ruuvi
1-2. Painike	6-4. Vipu	9-2. Pysäytinlevy
1-3. Punainen ilmaisin	7-1. Terä	9-3. Terä
2-1. Tähtimerkintä	7-2. Laakeri	13-1. Leikkuuvaha
3-1. Lukituksen vapautuskytkin	7-3. Yläpidin	14-1. Laikka
3-2. Liipaisinkytkin	7-4. Alapidin	14-2. Rengas
4-1. Nopeudensäätöpyörä	8-1. Yläpidin	14-3. Huullos
5-1. Lamppu	8-2. Alapidin	15-1. Rajamerkki
6-1. Kiristä	8-3. Laikka	16-1. Ruuvitaltta
6-2. Löysää	8-4. Paina	16-2. Harjanpitimen kansi

TEKNISET TIEDOT

Malli		BPB180
Maks. leikkauskapasiteetti	Pyöreä työkappale	120 mm halk.
	Suorakulmainen työkappale	120 mm x 120 mm
Terän nopeus		1,4 - 2,7 m/s
Terän koko	Pituus	1 140 mm
	Leveys	13 mm
	Paksuus	0,5 mm
Kokonaismitat (P x L x K)		523 mm x 231 mm x 313 mm
Nettopaino		6,5 kg
Nimellisjännite		DC 18 V

- Jatkuvan tutkimus- ja kehitysohjelman vuoksi pidätämme oikeuden muuttaa tässä mainittuja teknisiä ominaisuuksia ilman ennakkoilmoitusta.
- Tekniset ominaisuudet ja akku saattavat vaihdella maakohteisesti.
- Paino akku mukaan lukien EPTA-Procedure 01/2003 mukaan

ENE009-1

Käyttötarkoitus

Työkalu on tarkoitettu puun, muovin ja metallien leikkaukseen.

ENG905-1

Melutaso

Tyypillinen A-painotettu melutaso määräytyy EN60745-standardin mukaan:

Äänenpainetaso (L_{pA}): 81 dB (A)

Äänen tehotaso (L_{WA}): 92 dB (A)

Virhemarginaali (K): 3 dB (A)

Käytä kuulosuojaimia

ENG900-1

Tärinä

Värähtelyn kokonaisarvo (kolmiakselivektorin summa) on määritelty EN60745mukaan:

Työmenetelmä: metallin sahaaminen

Tärinäpäästö ($a_{n,CM}$): 2,5 m/s² tai vähemmän

Virhemarginaali (K) : 1,5 m/s²

ENG901-1

- Ilmoitettu tärinäpäästöarvo on mitattu standarditestaustestimen mukaisesti, ja sen avulla voidaan vertailla työkaluja keskenään.
- Ilmoitettua tärinäpäästöarvoa voidaan käyttää myös altistumisen alustavaan arviointiin.

VAROITUS:

- Työkalun käytön aikana mitattu todellinen tärinäpäästöarvo voi poiketa ilmoitetusta tärinäpäästöarvosta työkalun käyttötavan mukaan.
- Selvitä käyttäjän suojaamiseksi tarvittavat varotoimet todellisissa käyttöolosuhteissa tapahtuvan arvioidun altistumisen mukaisesti (ottaen huomioon käyttöjakso kokonaisuudessaan, myös jaksot, joiden aikana työkalu on sammutettuna tai käy tyhjäkäynnillä).

Koskee vain Euroopan maita

VAKUUTUS EC-VASTAAVUUDESTA

Vastuullinen valmistaja Makita Corporation ilmoittaa vastaavansa siitä, että seuraava(t) Makitan valmistama(t) kone(et):

Koneen tunnistetiedot:

Langaton kannettava vannesaha

Mallinro/Tyyppi: BPB180

ovat sarjavalmisteisia ja

Täyttävät seuraavien eurooppalaisten direktiivien vaatimukset:

2006/42/EC

Ja että ne on valmistettu seuraavien standardien tai standardoitujen asiakirjojen mukaisesti:

EN60745

Teknisen dokumentaation ylläpidosta vastaa:

Makita International Europe Ltd.

Technical Department,

Michigan Drive, Tongwell,

Milton Keynes, Bucks MK15 8JD, England

30.1.2009



000230

Tomoyasu Kato

Johtaja

Makita Corporation

3-11-8, Sumiyoshi-cho,

Anjo, Aichi, 446-8502, JAPAN

GEA010-1

Sähkötyökalujen käyttöä koskevat varoitukset

VAROITUS Lue kaikki turvallisuusvaroitukset ja käyttöohjeet. Varoitusten ja ohjeiden noudattamatta jättäminen voi johtaa sähköiskuun, tulipaloon ja/tai vakavaan vammautumiseen.

Säilytä varoitukset ja ohjeet tulevaa käyttöä varten.

GEB065-2

AKKUKÄYTTÖISEN VANNESAHAN TURVALLISUUSOHJEET

1. Pidä sähkötyökalua sen eristetyistä tartuntapinnoista silloin, kun on mahdollista, että sen terä saattaa osua piilossa oleviin johtoihin. Jos terä joutuu kosketukseen jännitteisen johdon kanssa, jännite voi siirtyä työkalun sähköä johtaviin metalliosiin ja aiheuttaa käyttäjälle sähköiskun.
2. Käytä vain kohdassa **TEKNISET TIEDOT** mainittuja teriä.

3. Tarkasta ennen käyttöä, ettei terässä ole halkeamia tai vaurioita. Vaihda halkeillut tai muuten vahingoittunut terä heti uuteen.
4. Kiinnitä työkaluun tukevasti. Jos saahaat useasta kappaleesta koostuvaa nippua, varmista ennen sahaamisen aloittamista, että kaikki kappaleet on kiinnitetty toisiinsa tukevasti.
5. Jos työkalu on öljyä, terä saattaa luistaa odottamatta. Pyyhi ylimääräinen öljy työkalusta ennen sahausta.
6. Älä koskaan käytä leikkuöljyä voiteluöljynä. Käytä tähän tarkoitukseen vain Makitan leikkuuvahaa.
7. Älä pidä käsineitä käytön aikana.
8. Pidä työkalua tiukasti molemmin käsin.
9. Pidä kädet loitolla pyörivistä osista.
10. Kun sahaat metallia, varo siitä irtoavia kuumia lastuja.
11. Älä jätä käynnissä olevaa työkalua ilman valvontaa.
12. Älä kosketa terää tai työkaluosaa välittömästi käytön jälkeen, sillä ne voivat olla erittäin kuumia ja saattavat polttaa ihoa.

SÄILYTÄ NÄMÄ OHJEET.

VAROITUS:

ÄLÄ anna työkalun helppokäyttöisyyden tai toistuvan käytön tuudittaa sinua väärään turvallisuuden tunteeseen niin, että laiminlyöt työkalun turvaohjeiden noudattamisen. **VÄÄRINKÄYTTÖ** tai tämän käyttöohjeen turvamääräysten laiminlyönti voi johtaa vakaviin henkilövahinkoihin.

ENC007-8

TÄRKEITÄ TURVAOHJEITA

AKKU

1. Ennen akun käyttöönottoa tutustu kaikkiin laturissa (1), akussa (2) ja akkukäyttöisessä tuotteessa (3) oleviin varoitusteksteihin.
2. Älä pura akkua.
3. Jos akun toiminta-aika lyhenee merkittävästi, lopeta akun käyttö. Seurauksena voi olla ylikuumeneminen, palovammoja tai jopa räjähdys. Jos akunestettä pääsee silmiin, huuhtele puhtaalla vedellä ja hakeudu välittömästi lääkärin hoitoon. Akkuneeste voi aiheuttaa sokeutumisen.
5. Älä oikosulje akkua.
 - (1) Älä koske akun napoihin millään sähköä johtavalla materiaalilla.
 - (2) Vältä akun oikosulkemista äläkä säilytä akkua yhdessä muiden metalliesineiden, kuten naulojen, kolikoiden ja niin edelleen kanssa.
 - (3) Älä altista akkua vedelle tai sateelle.

Akun oikosulku voi aiheuttaa voimakkaan sähkövirran, palovammoja ja jopa laitteen rikkoutumisen.

6. Älä säilytä työkalua ja akkua paikassa, jossa lämpötila voi nousta 50 ° C:een tai sitäkin korkeammaksi.
7. Älä hävitä akkua polttamalla, vaikka se olisi pahoin vaurioitunut tai täysin loppuun kulunut. Avotuli voi saada akun räjähtämään.
8. Varo kolhimasta tai pudottamasta akkua.
9. Älä käytä viallista akkua.
10. Hävitä akku paikallisten määräysten mukaisesti.

SÄILYTÄ NÄMÄ OHJEET.

Vihjeitä akun käyttöiän pidentämiseksi

1. Lataa akku ennen kuin se ehtii purkautua kokonaan.
Lopeta työkalun käyttö ja lataa akku aina, kun huomaat tehon heikkenevän.
2. Älä koskaan lataa täyttä akkua.
Yliilataus lyhentää akun käyttöikää.
3. Lataa akku huoneenlämmössä 10 ° C-40 ° C.
Anna kuumen akun jäähtyä ennen latausta.
4. Lataa akku kuuden kuukauden välein, jos sitä ei käytetä pitkään aikaan.

TOIMINTOJEN KUVAUS

⚠HUOMIO:

- Varmista aina ennen säätöjä ja tarkastuksia, että työkalu on sammutettu ja akku irrotettu.

Akun asentaminen tai irrottaminen

Kuva1

⚠HUOMIO:

- Sammuta työkalu aina ennen akun kiinnittämistä tai irrottamista.
- Pidä työkalusta ja akusta tiukasti kiinni, kun irrotat tai kiinnität akkua. Jos akku tai työkalu putoaa, ne voivat vaurioitua tai aiheuttaa loukkaantumisen.

Irrota akku painamalla akun etupuolella olevaa painiketta ja vetämällä akku ulos työkalusta.

Kiinnitä akku sovittamalla akun kieleke rungon uraan ja työntämällä akku sitten paikoilleen. Työnnä akku pohjaan asti niin, että kuulet sen napsahtavan paikoilleen. Jos painikkeen yläpuolella näkyy punainen ilmaisin, akku ei ole lukkiutunut täysin paikoilleen.

⚠HUOMIO:

- Työnnä akku aina pohjaan asti, niin että punainen ilmaisin ei enää näy. Jos akku ei ole kunnolla paikallaan, se voi pudota työkalusta ja aiheuttaa vammoja joko käyttäjälle tai sivullisille.
- Älä käytä voimaa akun asennuksessa. Jos akku ei mene paikalleen helposti, se on väärässä asennossa.

Akun suojausjärjestelmä

Työkalu on varustettu akun suojausjärjestelmällä. Tämä järjestelmä pidentää akun käyttöikää katkaisemalla automaattisesti moottorin virran.

Työkalu voi pysähtyä automaattisesti kesken käytön, jos työkalussa tai akussa ilmenee jokin seuraavista tilanteista:

- Ylikuormitus:
Työkalua käytetään tavalla, joka saa sen kuluttamaan epätavallisen paljon virtaa.
Sammuta tällöin työkalu ja lopeta ylikuormitustilan aiheuttanut käyttö. Käynnistä sitten työkalu ja jatka käyttöä.
Jos työkalu ei käynnisty, akku on ylikuumentunut. Anna tällöin akun jäähtyä, ennen kuin käynnistät työkalun uudelleen.
- Alhainen akun jännite:
Akun varaus ei riitä työkalun käyttämiseen. Irrota silloin akku ja lataa se.

HUOMAUTUS:

Ylikuumentussuoja toimii vain, jos akussa on tähtimerkintä.

Kuva2

Kytkimen käyttäminen

Kuva3

⚠️HUOMIO:

- Tarkista aina ennen akun kiinnittämistä työkaluun, että liipaisinkytkin kytkeytyy oikein ja palaa OFF-asentoon, kun se vapautetaan.

Estä liipaisinkytkimen tahaton painaminen käyttämällä lukko-nappia.

Laitteen käynnistykseen paina lukko-nappia alas B-puolelta ja vedä liipaisinkytkintä.

Vapauta liipaisinkytkin pysäyttämiseksi. Aina käytön jälkeen paina lukituksen vapautuspainike sisään suunnasta A.

Nopeudensäätöpyörä

Kuva4

Terän pyörimisnopeutta voidaan säätää portaattomasti välillä 1,4 - 2,7 m/s. Nopeus kasvaa, kun pyörää käännetään kohti numeroa 6 ja laskee, kun sitä käännetään kohti numeroa 1.

Valitse nopeus sahattavan työkalupaleen mukaan.

⚠️HUOMIO:

- Nopeudensäätöpyörää voi kääntää vain asentoon 6 ja asentoon 1 saakka. Älä pakota sitä asennon 6 tai 1 ohi, koska nopeudensäätötoiminto saattaa lakata toimimasta.

Lampun sytyttäminen

Kuva5

⚠️HUOMIO:

- Varo kolhimasta lampua, ettei se vaurioidu tai sen toiminta-aika lyhene.

Lamppu syttyy, kun painat liipaisinkytkintä. Lamppu palaa niin kauan kuin liipaisinkytkin on alas painettuna. Lamppu sammuu 10 - 15 sekunnin kuluttua liipaisimen vapauttamisesta.

HUOMAUTUS:

- Pyyhi lika pois lampun linssistä kuivalla liinalla. Älä naarmuta lampun linssiä, ettei valoteho laske.
- Älä käytä lampun puhdistukseen tinneriä tai bensiiniä. Tällaiset liuottimet voivat vahingoittaa sitä.
- Lamppu alkaa vilkkua, kun laitetta kuormitetaan liikaa.
- Samoin lamppu alkaa vilkkua, kun akun varaus laskee alhaiseksi.

KOKOONPANO

⚠️HUOMIO:

- Varmista aina ennen mitään työkalulle tehtäviä toimenpiteitä, että se on sammutettu ja akku irrotettu.

Terän kiinnittäminen ja irrottaminen

⚠️HUOMIO:

- Terässä oleva öljy voi saada terän luistamaan tai vahingossa irtoamaan. Ennen terän asennusta pyyhi ylimääräinen öljy liinaan.
- Varo sahan teräviä hampaita.

Käännä terän kiristysvipua myötäpäivään, kunnes se ottaa rungon ulokkeeseen.

Kuva6

Sovita terän nuoli pyörien nuolen kohdalle.

Kuva7

Vedä terä pyörien ympäri ja ylä- ja alapidinten välistä niin, että terän takasivu ottaa molempiin.

Kuva8

Pidä terää paikoillaan ja käännä terän kiristysvipua vastapäivään, kunnes se ottaa rungon ulokkeeseen. Näin terä tulee sopivan kireälle. Varmista, että terä menee oikein teräsuojuksen sisäpuolella ja pyörien ympäri. Varmista, että terä pyörii oikein käynnistämällä ja pysäyttämällä saha pari kolme kertaa.

⚠️HUOMIO:

- Pidä itsesi loitolla terästä, kun testaat terän kiinnistystä.

Terä irrotetaan päinvastaisessa järjestyksessä.

⚠️HUOMIO:

- Kun löysäät terää kääntämällä terän kiristysvipua myötäpäivään, pidä sahaa alaspäin, koska terä voi irrota äkillisesti.

Rajoinnlevyn ulkoneman asetus

Kuva9

Normaalikäytössä rajoinnlevy on ääriasennossa A.

Kun rajoinnlevy sahausken loppivaiheessa osuu esteeseen, kuten seinään tai vastaavaan, löysää molemmat ruuvit ja työnnä levy asentoon B kuvan osoittamalla tavalla.

Lopuksi kiristä ruuvit kunnolla.

TYÖSKENTELY

On erittäin tärkeää, että ainakin kaksi hammasta ottaa työkalupaleen leikkauskohtaan.

Kuva10

Valitse oikea sahausasento viereisen kuvan mukaan.

Kuva11

Tartu laitteeseen molemmin käsin kuvan osoittamalla tavalla siten, että rajoinnlevy ottaa työkalupaleeseen ja terä on irti siitä.

Kuva12

Käynnistä sitten saha ja odota, kunnes terä pyörii täydellä nopeudella. Laske terä hitaasti leikkuukohtaan. Riittävä paine syntyy laitteen omasta painosta. Voit myös painaa terää kevyesti. Älä käytä tarpeetonta voimaa. Kun pääset loppuun, kevennä ja nosta laitetta hieman irrottamalla sitä varsinaisesti työkappaleesta siten, ettei se putoa työkappaleen päälle.

⚠HUOMIO:

- Liiallinen painaminen tai terän kiertyminen voi aiheuttaa viiston leikkuujäljen tai vaurioittaa terää.
- Jos laitetta ei käytetä pitkään aikaan, irrota terä.
- Jos työkalua käytetään jatkuvasti niin pitkään, että akku tyhjenee, anna työkalun seistä 15 minuuttia ennen kuin jatkat työskentelyä uudella akulla.

Leikkuuvoiteluaine

Jos sahaat metalleja, käytä voiteluun Makitan leikkuuvoiteluainetta. Levitä vaha terään irrottamalla leikkuvahan suojuus, käynnistämällä laite ja sahaamalla vahaan.

Kuva13

⚠HUOMIO:

- Älä käytä leikkuuöljyä tai levitä liikaa vahaa terään. Seurauksena voi olla terän äkillinen luistaminen tai irtoaminen työkappaleesta.
- Älä käytä leikkuvahaa, kun sahaat valurautaa.

KUNNOSSAPITO

⚠HUOMIO:

- Varmista aina ennen tarkastusta tai huoltoa, että työkalu on sammutettu ja akku irrotettu.
- Älä koskaan käytä bensiiniä, ohentimia, alkoholia tai tms. aineita. Muutoin pinta voi halkeilla tai sen värit ja muoto voivat muuttua.

Puhdistus

Käytön jälkeen puhdista laite, pyöräkumit ja terä vahasta, lastusta ja pölystä.

⚠HUOMIO:

- Älä koskaan käytä liuottimia, kuten tärpättiä, bensiiniä tms. muoviosien puhdistukseen.
- Kumeihin jäävä vaha ja lastut voivat saada terän luistamaan. Pyyhi vaha ja lastut pyöräkumeista kuivalla liinalla.

Pyöräkumien vaihto

Kuva14

Jos terä luistaa tai ei pysy kunnolla paikoillaan kuluneiden pyöräkumien vuoksi, tai kumin moottoripuoleinen huullos vaurioituu, kumit on vaihdettava.

Hiiliharjojen vaihtaminen

Kuva15

Irrota ja tarkista harjahiilet säännöllisesti. Vaihda uusiin, kun ne ovat kuluneet rajamerkkiin saakka. Pidä harjahiilet puhtaina ja vapaina liukumaan pitimissään. Molemmat harjahiilet on vaihdettava samalla kertaa. Käytä vain keskenään samanlaisia harjahiiliä. Irrota harjahiiltien kannet ruuvitalalla. Poista kuluneet harjahiilet, aseta uudet harjahiilet paikalleen ja kiinnitä harjahiiltien kansi paikalleen.

Kuva16

Koneen TURVALLISUUDEN ja LUOTETTAVUUDEN säilyttämiseksi korjaukset sekä muut huoltotoimet ja säädöt on jätettävä Makitan valtuuttaman huollon tehtäväksi käyttäen aina Makitan alkuperäisiä varaosia.

LISÄVARUSTEET

⚠HUOMIO:

- Näitä lisävarusteita ja -laitteita suositellaan käytettäväksi tässä ohjekirjassa mainitun Makitan koneen kanssa. Minkä tahansa muun lisävarusteen tai -laitteen käyttäminen voi aiheuttaa loukkaantumisvaaran. Käytä lisävarusteita ja -laitteita vain niiden käyttötarkoituksen mukaisesti.

Jos tarvitset apua tai yksityiskohtaisempia tietoja seuraavista lisävarusteista, ota yhteys paikalliseen Makitan huoltoon.

- Vaihtoterät
- Kuusioavain 4
- Leikkuvaha
- Aito Makitan akku ja laturi

HUOMAUTUS:

- Jotkin luettelossa mainitut varusteet voivat sisältyä työkalun toimitukseen vakiovarusteina. Ne voivat vaihdella maittain.

LATVIEŠU (oriģinālās instrukcijas)

Kopskata skaidrojums

1-1. Akumulatora kasetne	6-3. Izcilnis	9-1. Skrūve
1-2. Poga	6-4. Svira	9-2. Aiztura plāksne
1-3. Sarkans indikators	7-1. Asmens	9-3. Asmens
2-1. Zvaigznes emblēma	7-2. Gultnis	13-1. Zāģēšanas vaski
3-1. Atbloķēšanas poga	7-3. Augšējais tureklis	14-1. Rīpa
3-2. Slēdža mēlīte	7-4. Apakšējais tureklis	14-2. Riepa
4-1. Ātruma regulēšanas skala	8-1. Augšējais tureklis	14-3. Mala
5-1. Lampa	8-2. Apakšējais tureklis	15-1. Robežas atzīme
6-1. Savilkēt	8-3. Rīpa	16-1. Skrūvgriezis
6-2. Atskrūvēt	8-4. Nospīst	16-2. Sukas turekļa vāks

SPECIFIKĀCIJAS

Modelis		BPB180
Maksimālā frēzēšanas jauda	Apalš apstrādājams materiāls	120 mm diam.
	Taisnstūrveida apstrādājams materiāls	120 mm x 120 mm
Asmens ātrums		1,4 – 2,7 m/s
Asmens izmērs	Garums	1 140 mm
	Platums	13 mm
	Biezums	0,5 mm
Kopējie gabarīti (G x P x A)		523 mm x 231 mm x 313 mm
Neto svars		6,5 kg
Nominālais spriegums		Līdzstrāva 18 V

- Dēļ mūsu nepārtrauktās pētniecības un izstrādes programmas, šeit dotās specifikācijas var mainīties bez brīdinājuma.
- Specifikācijas un akumulatora kasetne dažādās valstīs var atšķirties.
- Svārs ar akumulatora kasetni atbilstošs EPTA procedūrai 01/2003

ENE009-1

Paredzētā lietošana

Šis darbarīks ir paredzēts iegriezumiem koka, plastmasas un dzelzs materiālos.

ENG905-1

Troksnis

Tipiskais A-svērtais trokšņa līmenis ir noteikts saskaņā ar EN60745:

Skaņas spiediena līmenis (L_{pA}): 81 dB (A)

Skaņas jaudas līmenis (L_{WA}): 92 dB (A)

Mainīgums (K): 3 dB (A)

Lietojiet ausu aizsargus

ENG900-1

Vibrācija

Vibrācijas kopējā vērtība (trīs asu vektora summa) noteikta saskaņā ar EN60745:

Darba režīms: metāla zāģēšana

Vibrācijas izmeši ($a_{h,CM}$): 2,5 m/s² vai mazāk

Neskaidrība (K): 1,5 m/s²

ENG901-1

- Paziņotā vibrācijas emisijas vērtība noteikta atbilstoši standarta pārbaudes metodei un to var izmantot, lai salīdzinātu vienu darbarīku ar citu.
- Paziņoto vibrācijas emisijas vērtību arī var izmantot iedarbības sākotnējā novērtējumā.

⚠ BRĪDINĀJUMS:

- Reāli lietojot mehānizēto darbarīku, vibrācijas emisija var atšķirties no paziņotās emisijas vērtības atkarībā no darbarīka izmantošanas veida.
- Lai aizsargātu lietotāju, nosakiet drošības pasākumus, kas pamatoti ar iedarbību reālos darba apstākļos (ņemot vērā visus ekspluatācijas cikla posmus, piemēram, laiku, kamēr darbarīks ir izslēgts un kad darbojas tukšgaitā, kā arī palaides laiku).

Tikai Eiropas valstīm

EK Atbilstības deklarācija

Mēs, uzņēmums „Makita Corporation”, kā atbildīgs ražotājs paziņojam, ka sekojošais/-ie „Makita” darbarīks/-i:

Darbarīka nosaukums:

Bezvada pārnēsājams lentzāģis

Modeļa nr./ Veids: BPB180

ir sērijas ražojums un

Atbilst sekojošām Eiropas Direktīvām:

2006/42/EC

Un tas ražots saskaņā ar sekojošiem standartiem vai standartdokumentiem:

EN60745

Tehnisko dokumentāciju uztur:

Makita International Europe Ltd.

Technical Department,

Michigan Drive, Tongwell,

Milton Keynes, Bucks MK15 8JD, Anglija

30.1.2009



Tomoyasu Kato

Direktors

Makita Corporation

3-11-8, Sumiyoshi-cho,

Anjo, Aichi, 446-8502, JAPAN

000230

GEA010-1

Vispārējie mehanizēto darbarīku drošības brīdinājumi

⚠ BRĪDINĀJUMS Izlasiet visus drošības brīdinājumus un visus norādījumus. Brīdinājumu un norādījumu neievērošanas gadījumā var rasties elektriskās strāvas trieciens, ugunsgrēks un/vai nopietnas traumas.

Glabājiet visus brīdinājumus un norādījumus, lai varētu tajos ieskatīties turpmāk.

GEB065-2

DROŠĪBAS BRĪDINĀJUMI BEZVADU PĀRVIETOJAMĀ LENTZĀĢA LIETOŠANAI

1. Veicot darbu, turiet mehanizēto darbarīku aiz izolētājām satveršanas virsmām, ja griešanas instruments varētu saskarties ar apslēptu elektroinstalāciju. Ja griešanas instruments saskarsies ar vadu, kurā ir strāva, visas mehanizētā darbarīka ārējās metāla virsmas vadīs strāvu un radīs elektriskās strāvas trieciena risku.
2. **Izmantojiet tikai tādas asmeņus, kas norādīti sadaļā „SPECIFIKĀCIJAS”.**

3. Pirms darba veikšanas uzmanīgi pārbaudiet, vai asmenim nav plaisu vai bojājumu. Ieplaisājušu vai bojātu asmeni nekavējoties nomainiet.
4. Cieši nostipriniet apstrādājamo materiālu. Vienlaicīgi griežot vairākus apstrādājamo materiālu gabalus kopā, pirms griešanas pārliecinieties, vai visi apstrādājamā materiāla gabali ir cieši nostiprināti kopā.
5. Ar eļļu pārklāta apstrādājamā materiāla griešana var izraisīt negaidītu asmens nokrišanu. Pirms griešanas no apstrādājamā materiāla noslaukiet visu lieko eļļu.
6. Nekad neizmantojiet griešanas eļļu kā griešanas smērvielu. Lietojiet tikai Makita griešanas vasku.
7. Darba laikā nevalkājiet cimdus.
8. Stingri turiet darbarīku ar abām rokām.
9. Turiet rokas tālu no rotējošām daļām.
10. Griežot metālu, uzmanieties no karstām, atlecošām šķembām.
11. Neatstājiet darbarīku ieslēgtu bez uzraudzības.
12. Nepieskarieties asmenim vai apstrādājamam materiālam tūlīt pēc darba veikšanas; tie var būt ļoti karsti un var apdedzināt ādu.

SAGLABĀJIET ŠOS NORĀDĪJUMUS.

⚠ BRĪDINĀJUMS:

NEZAUDĒJIET modrību darbarīka lietošanas laikā (tas var gadīties pēc darbarīka daudzkārtējas izmantošanas), rūpīgi ievērojiet urbšanas drošības noteikumus šim izstrādājumam. **NEPAREIZAS LIETOŠANAS** vai šīs rokasgrāmatas drošības noteikumu neievērošanas gadījumā var gūt smagas traumas.

ENC007-8

SVARĪGI DROŠĪBAS NOTEIKUMI AKUMULATORA LIETOŠANAI

1. Pirms akumulatora lietošanas izlasiet visus norādījumus un brīdinājumus, kuri attiecas uz (1) akumulatora lādētāju, (2) akumulatoru un (3) ierīci, kurā tiek izmantots akumulators.
2. Neizjauciet akumulatoru.
3. Ja akumulatora darbības laiks kļuva ievērojami īsāks, nekavējoties pārtrauciet to izmantot. Citādi, tas var izraisīt pārkarsējumu, uzliesmojumu vai pat sprādzienu.
4. Ja elektrolīts nonāk acīs, izskalojiet tās ar tīru ūdens un nekavējoties griezieties pie ārsta. Tas var izraisīt redzes zaudēšanu.
5. **Neradiet** īssavienojumu akumulatora kasetnē:
 - (1) Neskarieties pie termināliem ar jebkāda veida vadītspējīgiem materiāliem.

- (2) Neuzglabājiet akumulatoru kasetni kopā ar citiem metāla priekšmetiem, tādiem kā naglas, monētas u.c.
- (3) Nepakļaujiet akumulatora kasetni ūdens vai lietus iedarbībai.

Īssavienojums var radīt lielu strāvas plūsmu, pārkaršanu, var radīt apdegumus vai pat bojājumus.

6. Neuzglabājiet darbarīku un akumulatora kasetni vietās, kur temperatūra var sasniegt vai pārsniegt 50 ° C (122 ° F).
7. Nededziniet akumulatora kasetni, pat ja tā ir stipri bojāta vai pilnībā nolietota. Akumulatora kasetne ugunī var eksplodēt.
8. Uzmanieties, lai neļautu akumulatoram nokrist un nepakļautu to sitienam.
9. Neizmantojiet bojātu akumulatoru.
10. Ievērojiet vietējos noteikumus par akumulatora likvidēšanu.

SAGLABĀJIET ŠOS NORĀDĪJUMUS.

Ieteikumi akumulatora kalpošanas laika pagarināšanai.

1. Uzlādējiet akumulatora kasetni pirms tā pilnīgi izlādējas.
Vienmēr, kad ievērojat, ka darbarīka darba jauda zudusi, apturiet darbarīku un uzlādējiet akumulatora kasetni.
2. Nekad neuzlādējiet pilnībā uzlādētu akumulatora kasetni.
Pārmērīga uzlāde saīsina akumulatora kalpošanas laiku.
3. Uzlādējiet akumulatora kasetni istabas temperatūrā 10 ° C - 40 ° C (50 ° F - 104 ° F).
Karstai akumulatora kasetnei pirms uzlādes ļaujiet atdzist.
4. Uzlādējiet akumulatora kasetni reizi sešos mēnešos, ja to neizmantojat ilgu laiku.

FUNKCIJU APRAKSTS

⚠UZMANĪBU:

- Pirms darbarīka regulēšanas vai tā darbības pārbaudes vienmēr pārliecinieties, ka darbarīks ir izslēgts un akumulatora kasetne ir izņemta.

Akumulatora kasetnes uzstādīšana un izņemšana

Att.1

⚠UZMANĪBU:

- Vienmēr pirms akumulatora kasetnes uzstādīšanas vai noņemšanas izslēdziet darbarīku.
- **Uzstādot vai izņemot akumulatora kasetni, darbarīku un akumulatora kasetni turiet cieši.** Ja darbarīku un akumulatora kasetni netur cieši, tie var izkrist no rokām un radīt bojājumus darbarīkam un akumulatora kasetnei, kā arī izraisīt ievainojumus.

Lai izņemtu akumulatora kasetni, izvelciet to no darbarīka, pārbīdot kasetnes priekšpusē esošo pogu. Lai uzstādītu akumulatora kasetni, salāgojiet mēlīti uz akumulatora kasetnes ar riavu ietvarā un iebīdīet to vietā. Bīdīet to iekšā līdz klikšķim, kas nozīmē, ka tā ir pareizi uzstādīta. Ja pogas augšējā daļā ir redzams sarkans indikators, tas nozīmē, ka tā nav pilnīgi bloķēta.

⚠UZMANĪBU:

- Vienmēr ievietojiet akumulatora kasetni tā, lai sarkanais indikators nebūtu redzams. Pretējā gadījumā tā var nejauši izkrist no darbarīka un radīt jums vai apkārtējiem ievainojumu.
- Neievietojiet akumulatora kasetni ar spēku. Ja kasetne neslīd ietvarā viegli, tā nav pareizi ielikta.

Akumulatora aizsardzības sistēma

Darbarīks ir aprīkots ar akumulatora aizsardzības sistēmu. Šī sistēma automātiski izslēdz jaudas padevi motoram, lai pagarinātu akumulatora kalpošanas laiku. Darbarīks automātiski pārstās darboties ekspluatācijas laikā, ja darbarīku un/vai akumulatoru pakļaus kādam no šiem apstākļiem:

- Pārslodze:
Darbarīku ekspluatācijas laikā lieto tādā veidā, ka tas saista pārmērīgu strāvu.
Šādā gadījumā izslēdziet darbarīku un pārtrauciet darbību, kas izraisīja darbarīka pārslodzi. Ieslēdziet darbarīku, lai atsāktu darbu.
Ja darbarīks nesāk darboties, akumulators ir pārkaršis. Šādā gadījumā ļaujiet akumulatoram atdzist, pirms vēlreiz ieslēgt darbarīku.
- Zema akumulatora jauda:
Akumulatora atlikusī jauda ir pārāk zema, un darbarīks nedarbosies. Šādā gadījumā akumulatoru noņemiet un veiciet tam uzlādi.

PIEZĪME:

Aizsardzība pret pārkaršanu darbojas tikai ar akumulatora kasetni, kam ir zvaigznes marķējums.

Att.2

Slēdža darbība

Att.3

⚠UZMANĪBU:

- Pirms akumulatora kasetnes uzstādīšanas darbarīkā, vienmēr pārbaudiet, vai slēdža mēlīte darbojas pareizi un pēc atlaišanas atgriežas "OFF" (izslēgts) stāvoklī.

Lai nepieļautu slēdža mēlītes nejaušu nospiešanu, darbarīks ir aprīkots ar atbloķēšanas pogu.

Lai iedarbinātu darbarīku, no B puses nospiediet atbloķēšanas pogu un pavelciet slēdža mēlīti.

Lai apturētu darbarīku, atlaidiet slēdža mēlīti. Pēc lietošanas no A puses iespiediet uz iekšu atbloķēšanas pogu.

Ātruma regulēšanas skala

Att.4

Griežot regulēšanas ciparripu, iespējams noregulēt jebkuru ātrumu robežās no 1,4 m/s līdz 2,7 m/s. Lai palielinātu ātrumu, ciparripa ir jāpagriež cipara 6 virzienā; lai samazinātu ātrumu, tā ir jāpagriež cipara 1 virzienā. Izvēlieties pareizo ātrumu zāģējamajai detaļai.

⚠UZMANĪBU:

- Ātruma regulēšanas skala var tikt griezta tikai no 1 līdz 6. Nemēģiniet ar spēku to pagriezt tālāk, tā varat sabojāt instrumentu.

Lampas ieslēgšana

Att.5

⚠UZMANĪBU:

- Neizdariet triecienu uz lampu, jo tādējādi to var sabojāt vai saīsināt ekspluatācijas laiku.

Pavelciet slēdža mēlīti, lai iedegtu lampu. Kamēr slēdža mēlīte ir nospiesta, lampa ir iedegta. 10 - 15 sekundes pēc mēlītes atlaišanas lampa izslēdzas.

PIEZĪME:

- Ar sausu lupatiņu noslaukiet netīrumus no lampas lēcas. Izvairieties saskrāpēt lampas lēcu, jo tādējādi tiek samazināts apgaismojums.
- Lai tīrītu lampu, neizmantojiet šķīdinātāju vai benzīnu. Šādi atšķaidītāji var to sabojāt.
- Ja darbarīkam ekspluatācijas laikā rodas pārslodze, lampa mirgo.
- Kad atlikusi akumulatora jauda ir neliela, lampa mirgo.

MONTĀŽA

⚠UZMANĪBU:

- Pirms darbarīka regulēšanas vai apkopes vienmēr pārliecinieties, ka darbarīks ir izslēgts un akumulatora kasetne ir izņemta.

Asmens uzstādīšana vai noņemšana

⚠UZMANĪBU:

- Ja uz asmens ir eļļa, tas var paslīdēt vai negaidīti izkrist. Pirms asmens uzstādīšanas ar lupatiņu noslaukiet visu lieko eļļu.
- Rīkojoties ar asmeni, ievērojiet piesardzību, lai nesagrieztos ar asmens zobu asajām malām.

Pagrieziet asmens savilces sviru pulkstenrādītāja virzienā, kamēr tā atduras pret izcilni rāmī.

Att.6

Savietojiet bultiņas virzienu uz asmens ar bultiņas virzienu uz ripas.

Att.7

Novietojiet asmeni apkārt ripām un otru asmens galu ievietojiet augšējā un apakšējā tureklī, kamēr asmens aizmugurējā daļa sass ar augšējā un apakšējā turekļa apakšējo daļu.

Att.8

Turiet asmeni tam paredzētajā vietā un pagrieziet asmens savilces sviru pretēji pulkstenrādītāja virzienam, kamēr tā atduras pret izcilni rāmī. Tādējādi asmenim būs pareizs nospriegojums. Pārbaudiet, vai asmens ir pareizi novietots asmens vadīklā un apkārt ripām.

Divas vai trīs reizes iedarbiniet un apturiet darbarīku, lai pārbaudītu, vai asmens uz ripām darbojas pareizi.

⚠UZMANĪBU:

- Pārbaudot, vai asmens uz ripām darbojas pareizi, netuviniet savas ķermeņa daļas asmens darbības zonai. Lai izņemtu asmeni, veiciet darbības uzstādīšanai pretējā secībā.

⚠UZMANĪBU:

- Pagriežot asmens savilces sviru pulkstenrādītāja virzienā, lai atspriegotu asmeni, vērsiet darbarīku uz leju, jo asmens var nejauši izkrist.

Aiztura plāksnes izvirkjuma regulēšana

Att.9

Standarta darbības laikā izvirkziet aiztura plāksni pilnībā uz āru uz A pusi.

Ja zāģēšanas darba beigās aiztura plāksne piess šķērslim, piemēram, sienai vai līdzīgam priekšmetam, atskrūvējiet abas skrūves un pārvietojiet to uz B pusi, kā redzams zīmējumā.

Pēc aiztura plāksnes pārvietošanas nostipriniet to, cieši pieskrūvējot abas skrūves.

EKSPLUATĀCIJA

Svarīgi ir zāģējumā atstāt vismaz divus zāģa zobus.

Att.10

Apstrādājamajam materiālam izvēlieties pareizu zāģēšanas stāvokli saskaņā ar zīmējumu.

Att.11

Turiet darbarīku ar abām rokām, kā attēlots zīmējumā, tā, lai aiztura plāksne saskartos ar apstrādājamo materiālu, bet asmens lai ar to nesaskartos.

Att.12

leslīdziet darbarīku un nogaidiet, kamēr asmens darbojas ar pilnu jauodu. Uzmanīgi nolaidiet asmeni zāģēšanas vietā. Darbarīka svars, vai nedaudz uzspiežot uz darbarīka, nodrošinās pareizu zāģēšanas spiedienu. Nelietojiet darbarīku ar spēku.

Kad materiāls ir pārzāģēts, atbrīvojiet spiedienu un, nepaceļot darbarīku pilnībā, izceliet to nedaudz tā, lai tas nenokristu uz apstrādātā materiāla.

⚠UZMANĪBU:

- Pārāk cieši uzspiežot uz darbarīka vai liecot asmeni, zāģējums būs slīps vai arī sabojāsiet asmeni.
- Neekspluatējot darbarīku ilgāku laika posmu, noņemiet no tā asmeni.
- Ja darbarīks tiek darbināts nepārtraukti, līdz akumulatora kasetne ir izlādējusies, pirms turpināt darbu ar jaunu akumulatoru, izslēdziet darbarīku uz 15 minūtēm.

Zāģēšanas smēriela

Zāģējot metālus, par zāģēšanas smērieli izmantojiet Makita zāģēšanas vasku. Lai asmens zobus ieziestu ar zāģēšanas vasku, iedarbiniet darbarīku un, noņemot zāģēšanas vaska vāciņu, iegremdējiet tajā rotējošu asmeni, kā attēlots zīmējumā.

Att.13

⚠UZMANĪBU:

- Nekad nelietojiet zāģēšanas eļļu vai neuzklājiet uz asmens pārāk daudz vaska. Rezultātā asmens var paslīdēt vai negaidīti izkrist.
- Zāģējot čugunu, nelietojiet zāģēšanas vasku.

APKOPE

⚠UZMANĪBU:

- Pirms darbarīka pārbaudes vai apkopes vienmēr pārliecinieties, ka darbarīks ir izslēgts un akumulatora kasetne ir izņemta.
- Nekad neizmantojiet gāzoliņu, benzīnu, atšķaidītāju, spirtu vai līdzīgus šķidrumus. Tas var radīt izbalēšanu, deformāciju vai plaisas.

Tīrīšana

Pēc ekspluatācijas no darbarīka, ripu riepām un asmens notīriet vasku, skaidas un puteļus.

⚠UZMANĪBU:

- Lai notīrītu plastmasas detaļas, nekad nelietojiet tādus atšķaidītājus kā terpentīnu, benzīnu, laku, u.c.
- Ja uz riepām būs vasks un skaidas, asmens var paslīdēt vai negaidīti izkrist. Lai notīrītu vasku un skaidas no riepām, lietojiet sausu lupatiņu.

Ripu riepu nomaīņa

Att.14

Ja asmens slīd vai virzās nepareizā trajektorijā ļoti nodilušu riepu dēļ, vai arī riepās mala motora pusē ir bojāta, riepās ir jānomaina.

Ogles suku nomaīņa

Att.15

Regulāri izņemiet un pārbaudiet ogles suku. Kad ogles suku ir nolietojušās līdz robežas atzīmei, nomainiet tās. Turiet ogles suku tīras un pārbaudiet, vai tās var brīvi ieiet turekļos. Abas ogles suku ir jānomaina vienlaikus. Izmantojiet tikai identiskas ogles suku.

Noņemiet suku turekļa vāciņus ar skrūvgrieža palīdzību. Izņemiet nolietojušās ogles suku, ievietojiet jaunas un nostipriniet suku turekļa vāciņus.

Att.16

Lai saglabātu produkta DROŠU un UZTICAMU darbību, remontdarbus, apkopi un regulēšanu uzticiet veikt tikai Makita pilnvarotam apkopes centram un vienmēr izmantojiet tikai Makita rezerves daļas.

PAPILDU PIEDERUMI

⚠UZMANĪBU:

- Šādi piederumi un rīki tiek ieteikti lietošanai ar šajā pamācībā aprakstīto Makita instrumentu. Jebkādu citu piederumu un rīku izmantošana var radīt traumu briesmas. Piederumu vai rīku izmantojiet tikai tā paredzētajam mērķim.

Ja jums vajadzīga palīdzība vai precīzāka informācija par šiem piederumiem, vērsieties savā tuvākajā Makita apkopes centrā.

- Lentzāģa asmeņi
- Sešstūra atslēga 4
- Zāģēšanas vasks
- Makita oriģinālais akumulators un lādētājs

PIEZĪME:

- Daži sarakstā norādītie izstrādājumi var būt iekļauti instrumenta komplektācijā kā standarta piederumi. Tie dažādās valstīs var būt atšķirīgi.

LIETUVIŲ KALBA (Originali naudojimo instrukcija)

Bendrasis aprašymas

1-1. Akumulatoriaus kasėtė	6-3. Išsikišimas	9-1. Sraigtas
1-2. Mygtukas	6-4. Svirtelė	9-2. Stabdiklio plokštelė
1-3. Raudonas indikatorius	7-1. Diskas	9-3. Diskas
2-1. Žvaigždutės ženklas	7-2. Guolis	13-1. Pjovimo derva
3-1. Atlaisvinimo mygtukas	7-3. Viršutinis laikiklis	14-1. Pjovimo diskas
3-2. Jungiklio spraktukas	7-4. Apatinis laikiklis	14-2. Kraštas
4-1. Greičio reguliavimo diskas	8-1. Viršutinis laikiklis	14-3. Briauna
5-1. Lempa	8-2. Apatinis laikiklis	15-1. Ribos žymė
6-1. Priveržkite	8-3. Pjovimo diskas	16-1. Atsuktuvus
6-2. Atleisti	8-4. Spaušti	16-2. Šepetėlio laikiklio dangtelis

SPECIFIKACIJOS

Modelis		BPB180
Didžiausia pjovimo galia	Apvalus ruošinys	120 mm skersmens
	Stačiakampis ruošinys	120 mm x 120 mm
Pjovimo disko sukimosi greitis		1,4 - 2,7 m/s
Pjovimo disko dydis	Ilgis	1 140 mm
	Plotis	13 mm
	Storis	0,5 mm
Bendri matmenys (l x P x A)		523 mm x 231 mm x 313 mm
Neto svoris		6,5 kg
Nominali įtampa		Nuol. Sr. 18 V

- Atliekame nepertraukiamus tyrimus ir nuolat tobuliname savo gaminius, todėl čia pateikiamos specifikacijos gali būti keičiamos be įspėjimo.
- Specifikacijos ir akumuliatorių kasėtės įvairiose šalyse gali skirtis.
- Svoris su akumulatoriaus kasete pagal Europos elektrinių įrankių asociacijos metodiką „EPTA-Procedure 01/2003“

ENE009-1

ENG901-1

Paskirtis

Šis įrankis skirtas medienai, plastmasei ir geležiui pjauti.

ENG905-1

Triukšmas

Tipiškas A svertinis triukšmo lygis nustatytas pagal EN60745:

Garso slėgio lygis (L_{pA}): 81 dB (A)

Garso galios lygis (L_{WA}): 92 dB (A)

Paklaida (K) : 3 dB (A)

Dėvėkite ausų apsaugas

ENG900-1

Vibracija

Vibracijos bendroji vertė (trijų ašių vektorinė suma) nustatyta pagal EN60745:

Darbo režimas: metalo pjovimas

Vibracijos emisija ($a_{h,CM}$): 2,5 m/s² arba mažiau

Paklaida (K) : 1,5 m/s²

- Paskelbtasis vibracijos emisijos dydis nustatytas pagal standartinį testavimo metodą ir jį galima naudoti vienam įrankiui palyginti su kitu.
- Paskelbtasis vibracijos emisijos dydis taip pat gali būti naudojamas preliminariai įvertinti vibracijos poveikį.

SPĖJIMAS:

- Faktiškai naudojant elektrinį įrankį, keliamos vibracijos dydis gali skirtis nuo paskelbtojo dydžio, priklausomai nuo būdų, kuriais yra naudojamas šis įrankis.
- Siekiant apsaugoti operatorių, būtina įvertinkite saugos priemones, remdamiesi vibracijos poveikio įvertinimu esant faktinėms naudojimo sąlygoms (atsižvelgdami į visas darbo ciklo dalis, pavyzdžiui, ne tik kiek laiko įrankis veikia, bet ir kiek kartų jis yra išjungiamas bei kai jis veikia be apkravų).

Tik Europos šalis

ES atitikties deklaracija

Mes, „Makita Corporation“ bendrovė, būdami atsakingas gamintojas, pareiškiame, kad šis „Makita“ mechanizmas(-ai):

Mechanizmo paskirtis:

Nešiojamas juostinis pjūklas be jungiamųjų laidų

Modelio Nr./ tipas: BPB180

priklauso serijinei gamybai ir

Atitinka šias Europos direktyvas:

2006/42/EC

Ir yra pagamintas pagal šiuos standartus arba normatyvinius dokumentus:

EN60745

Techninė dokumentacija saugoma:

Makita International Europe Ltd.

Technical Department,

Michigan Drive, Tongwell,

Milton Keynes, Bucks MK15 8JD, England (Anglija)

30.1.2009



000230

Tomoyasu Kato

Direktorius

Makita Corporation

3-11-8, Sumiyoshi-cho,

Anjo, Aichi, 446-8502, JAPAN (Japonija)

GEA010-1

Bendrieji perspėjimai darbui su elektriniais įrankiais

⚠️ ĮSPĖJIMAS Perskaitykite visus saugos įspėjimus ir instrukcijas. Nesilaikydami žemiau pateiktų įspėjimų ir instrukcijų galite patirti elektros smūgį, gaisrą ir/arba sunkų sužeidimą.

Išsaugokite visus įspėjimus ir instrukcijas, kad galėtumėte jas peržiūrėti ateityje.

GEB065-2

ĮSPĖJIMAI DĖL AKUMULIATORINIO NEŠIOJAMOJO JUOSTINIO PJŪKLIO SAUGOS

- Atlikdami darbus, kurių metu pjovimo dalys gali paliesti paslėptus laidus, laikykite elektrinį įrankį tik už izoliuotų. laikymui skirtų paviršių. Pjovimo dalims prisilietus prie „gyvo“ laido, neizoliuotos metalinės elektrinio įrankio dalys gali sukelti elektros smūgį ir nutrenkti operatorių.
- Naudokite tik „SPECIFIKACIJOSE“ nurodytus peilius.

- Prieš naudodami, patikrinkite peilius, ar nėra įtrūkimų ar pažeidimų. Nedelsdami pakeiskite įtrūkusį arba apgadintą peilį.
- Gerai įtvirtinkite ruošinį. Pjudami ruošinių ryšulį, prieš pjudami būtinai tvirtai suriškite visus ruošinius.
- Pjaunant alvyra pateptus ruošinius, peilis gali netikėtai nutrūkti. Prieš pjudami, nušluostykite nuo ruošinių alvyvos perteklių.
- Nenaudokite pjovimo alvyvos kaip pjovimo tepalo. Naudokite tik „Makita“ pjovimo vašką. Dirbdami nemūvėkite pirštinių.
- Laikykite rankas toliau nuo sukamųjų dalių.
- Pjudami metalą, saugokitės skriejančių įkaitusių skeveldrų.
- Nepalikite veikiančio įrankio be priežiūros.
- Nelieskite peilio arba ruošinio iškart po naudojimo; jie gali būti itin karšti ir nudeginti odą.

SAUGOKITE ŠIAS INSTRUKCIJAS.

⚠️ ĮSPĖJIMAS:

NELEISKITE, kad patogumas ir gaminio pažinimas (igyjamas pakartotinai naudojant) susilpnintų griežtą saugos taisyklių, taikytinų šiam gaminiui, laikymąsi. Dėl NETINKAMO NAUDOJIMO arba saugos taisyklių nesilaikymo, kurios pateiktos šioje instrukcijoje galima rimtai susižeisti.

ENC007-8

SVARBIOUS SAUGOS INSTRUKCIJOS

AKUMULIATORIAUS KASETEI

- Prieš naudodami akumulatoriaus kasetę, perskaitykite visas instrukcijas ir perspėjimus ant (1) akumuliatorių kroviklio, (2) akumuliatorių ir (3) akumuliatorių naudojančio gaminio.
- Neardykite akumulatoriaus kasetės.
- Jei įrankio darbo laikas žymiai sutrumpėjo, nedelsdami nutraukite darbą su įrankiu. Tai kelia perkaitimo, nudegimų ar net sprogimo pavojų.
- Jei elektrolitas pateko į akis, plaukite jas tyru vandeniu ir nedelsdami kreipkitės į gydytoją. Yra regėjimo praradimo pavojus.
- Neužtrumpinkite akumulatoriaus kasetės:
 - (1) Kontaktų nelieskite jokiais elektra laidžiomis medžiagomis.
 - (2) Venkite laikyti akumulatoriaus kasetę kartu su kitais metaliniais daiktais, pavyzdžiui, vinimis, monetomis ir .t. t..
 - (3) Saugokite akumulatoriaus kasetę nuo vandens ir lietaus.

Trumpasis jungimas akumuliatoriuje gali sukelti stiprią srovę, perkaitimą, galimus nudegimus ar net akumulatoriaus gedimą.

6. Nelaikykite įrankio ir akumulatoriaus kasetės vietose, kur temperatūra gali pasiekti ar viršyti 50 ° C (122 ° F).
7. Nedeginkite akumulatoriaus kasetės, net jei yra stipriai pažeista ar visiškai susidėvėjusi. Ugnyje akumulatoriaus kasetė gali sprogti.
8. Saugokite akumuliatorių nuo kritimo ir smūgių.
9. Nenaudokite pažeisto akumulatoriaus.
10. Vadovaukitės vietos įstatymais dėl akumuliatorių išmetimo.

SAUGOKITE ŠIAS INSTRUKCIJAS.

Patarimai, ką daryti, kad akumulatorius tarnautų kuo ilgiau

1. **Kraukite akumulatoriaus kasetę prieš jai visiškai išsikraunant.**
Visuomet nustokite naudoti įrankį ir kraukite akumulatoriaus kasetę, kai pastebite sumažėjusią įrankio galią.
2. **Niekada nekraukite iki galo įkrautos akumulatoriaus kasetės.**
Per didelis įkrovimas trumpina akumulatoriaus eksploatacijos laiką.
3. **Kraukite akumulatoriaus kasetę kambario temperatūroje 10 ° C - 40 ° C (50 ° F - 104 ° F).** Prieš kraudami leiskite atvėsti karštai akumulatoriaus kasetei.
4. **Įkraukite akumulatoriaus kasetę kas šešis mėnesius, kai jos ilgai nenaudojate.**

VEIKIMO APRAŠYMAS

⚠DĖMESIO:

- Prieš reguliuodami įrenginį arba tikrindami jo veikimą visada patikrinkite, ar įrenginys išjungtas, o akumuliatorių kasetė - nuimta.

Akumulatoriaus kasetės uždėjimas ir nuėmimas

Pav.1

⚠DĖMESIO:

- Prieš įdėdami arba išimdami akumulatoriaus kasetę, visada išjunkite įrankį.
- **Įdėdami arba išimdami akumulatoriaus kasetę, tvirtai laikykite įrankį ir akumulatoriaus kasetę.** Jeigu įrankį ir akumulatoriaus kasetę laikysite netvirtai, jie gali išskysti iš jūsų rankų ir sąlygoti įrankio bei akumulatoriaus kasetės gedimą ir vartotojo sužalojimą.

Jei norite išimti akumulatoriaus kasetę, ištraukite ją iš įrankio, stumdami mygtuką, esantį kasetės priekyje.

Jeigu norite įdėti akumulatoriaus kasetę, sutapdinkite liežuvelį ant akumulatoriaus kasetės su grioveliu korpuse ir įstumkite į skirtą vietą. Įdėkite iki galo, kol spragtelėdama užsifiksuos. Jeigu matote raudoną indikatorių viršutinėje mygtuko pusėje, ji nėra visiškai užfiksuota.

⚠DĖMESIO:

- Akumulatoriaus kasetę visada įkiškite iki galo, kol nebematysite raudono indikatoriaus. Priešingu atveju ji gali atsitiktinai iškristi iš įrankio, sužeisti jus ar aplinkinius.
- Nekiškite akumulatoriaus kasetės jėga. Jeigu kasetė sunkiai lenda, ji kišama netinkamai.

Akumulatoriaus apsaugos sistema

Įrankyje įrengta akumulatoriaus apsaugos sistema. Ši sistema automatiškai atjungia variklio maitinimą, kad pailgėtų akumulatoriaus naudojimo laikas.

Įrankis automatiškai išsijungs darbo metu, esant vienai iš šių įrankio ir (arba) akumulatoriaus darbo sąlygų:

- **Perkrautas:**
Įrankis naudojamas taip, kad jame neįprastai padidėja elektros srovė.
Toku atveju išjunkite įrankį ir nutraukite darbą, dėl kurio kilo įrankio perkrova. Po to įjunkite įrankį ir vėl tęskite darbą.
Jeigu įrankis neįsijungia, reiškia perkrautas akumulatorius. Toku atveju palaukite, kol akumulatorius atvės, paskui vėl įjunkite įrankį.
- **Žema akumulatoriaus įtampa:**
Likusi akumulatoriaus energija per maža ir įrankis negali veikti. Toku atveju išimkite akumuliatorių ir įkraukite jį.

PASTABA:

Apsaugos nuo perkaitimo funkcija veikia tik tada, jei naudojama žvaigždute paženklinta akumulatoriaus kasetė.

Pav.2

Jungiklio veikimas

Pav.3

⚠DĖMESIO:

- Prieš dėdami akumulatoriaus kasetę į įrankį, visuomet patikrinkite, kad jungiklio mygtukas gerai veiktų ir atleistas grįžtų į padėtį „OFF“.

Siekiant apsaugoti nuo atsitiktinio jungiklio gaiduko paspaudimo, įrengtas atleidimo mygtukas.

Norėdami įjungti įrankį, nuspauskite atleidimo mygtuką iš „B“ pusės ir paspauskite jungiklio gaiduką.

Norėdami išjungti, atleiskite jungiklio gaiduką. Pabaigę darbą, visada nuspauskite atleidimo mygtuką iš „A“ pusės.

Greičio reguliavimo diskas

Pav.4

Sukant reguliavimo diską, įrankio greitį galima reguliuoti nuo 1,4 m/s iki 2,7 m/s. Sukant diską link skaičiaus 6, greitis didinamas; greitis mažinamas, kai diskas sukamas link skaičiaus 1.

Pasirinkite tinkamą greitį ruošiniui pjauti.

⚠DĖMESIO:

- Greičio reguliavimo diską galima sukuti tik iki 6 ir atgal iki 1. Nesukite jo toliau, nes gali sutrikti greičio reguliavimo funkcija.

Lemputės uždegimas

Pav.5

⚠DĖMESIO:

- Nespaukite ir netrankykite lemputės, nes galite ją sugadinti arba sutrumpinti jos tarnavimo laiką.

Paspauskite gaiduką lemputei uždegti. Lemputė degs tol, kol bus nuspaustas gaidukas. Alteidus gaiduką, lemputė užgesa po 10-15 sekundžių.

PASTABA:

- Nešvarumus nuo lemos lęšio valykite sausu audiniu. Stenkitės nesubraižyti lemos lęšio, kad nepablogėtų apšvietimas.
- Nevalykite lemputės skiedikliu ar benzinu. Tokie tirpikliai gali ją sugadinti.
- Jeigu darbo metu įrankis perkraunamas, pradeda žybcioti lemputė.
- Kai įrankio akumulatorius išsikrauna, pradeda žybcioti lemputė.

SURINKIMAS

⚠DĖMESIO:

- Prieš darydami ką nors įrankiui visada patikrinkite, ar įrenginys išjungtas, o akumuliatorių kasetė - nuimta.

Peilio sumontavimas arba nuėmimas

⚠DĖMESIO:

- Ant peilio esanti alyva gali sukelti peilio praslydimą arba jis gali netikėtai nutrūkti. Prieš sumontuodami peilį, skudurėliu nuvalykite bet kokį alyvos perteklių.
- Būkite atsargūs, tvarkydami peilį, kad neįsijautumėte į aštrų peilio dantų kraštą.

Sukite peilio įtempimo svirtį pagal laikrodžio rodyklę, kol ji atsirems į rėmo iškyšą.

Pav.6

Suderinkite ant peilio esančios rodyklės kryptį su ant diskų esančiomis rodyklėmis.

Pav.7

Apsukite peilį aplink diskus ir kiškite kitą peilio dalį tarp viršutinio ir apatinio laikiklių tol, kol peilio galinė dalis prisilies prie viršutinio ir apatinio laikiklių apačios.

Pav.8

Prilašykite peilį ir sukite peilio įtempimo svirtį prieš laikrodžio rodyklę tol, kol ji atsirems į rėmo iškyšą. Taip užtikrinamas tinkamas peilio įtempimas. Patikrinkite, ar peilis teisingai įdėtas tarp peilio apsauginio aptvaro ir aplink diskus.

Paleiskite ir sustabdykite įrankį du ar tris kartus, kad įsitikintumėte, ar peilis tinkamai sukasi ant diskų.

⚠DĖMESIO:

- Tikrindami, ar peilis tinkamai sukasi ant diskų, stovėkite atokiai nuo peilio zonos.

Išimdami ašmenis atlikite tuos pačius veiksmus atvirkštine tvarka.

⚠DĖMESIO:

- Sukdami peilio įtempimo svirtį pagal laikrodžio rodyklę, norėdami sumažinti peilio įtempimą, nukreipkite įrankį žemyn, nes peilis gali netikėtai nutrūkti.

Fiksatoriaus plokštelės iškyšos reguliavimas

Pav.9

Įprasto darbo metu iki gali iškiškite fiksatoriaus plokštelę į „A“ pusę.

Kai pjovimo pabaigoje fiksatoriaus plokštelė susiduria su kliūtimis, pavyzdžiui, siena ar panašiai, atsukite du varžtus ir paslinkite ją į „B“ padėtį, kaip parodyta piešinyje. Paslinkę fiksatoriaus plokštelę, tvirtai priperžkite ją dviem varžtais.

NAUDOJIMAS

Pjūvyje būtinai turi būti bent du dantys.

Pav.10

Naudodamiesi brėžiniu, pasirinkite tinkamą ruošiniui pjovimo padėtį.

Pav.11

Laikykite įrankį abiem rankomis, kai parodyta piešinyje; fiksatoriaus plokštelė turi liesti ruošinį, o peilis - neleisti ruošinio.

Pav.12

Ijunkite įrankį ir palaukite, kol peilis pradės sukintis visu greičiu. Atsargiai nuleiskite peilį į įplovą. Paties įrankio svoriu arba lengvai spaudžiant įrankį, nustatomas atitinkamas pjovimui spaudimas. Nenaudokite jėgos su įrankiu. Baigdami pjauti, sumažinkite spaudimą ir, faktiškai neatkeldami įrankio, truputį kilstelėkite jį, kad jis nenukristų nuo ruošinio.

⚠DĖMESIO:

- Per daug spausdami įrankį arba sukdami peilį, galite nupjauti nuožulnį arba sugadinti peilį.
- Jei juos nenaudojate įrankio ilgą laiką, nuimkite nuo jo peilį.
- Jei įrankis naudojamas tol, kol akumulatoriaus kasetė išsikrauna, leiskite įrankiui pailsėti 15 minučių prieš tęsdami su kitu akumulatoriumi.

Pjovimui skirta alyva

Pjaudami metalus, vietoj pjovimo alyvos naudokite „Makita“ pjovimui skirtą dervą. Norėdami patepti peilio dantis pjovimo derva, įjunkite įrankį ir, nuėmę nuo pjovimo dervos dangtelį, įkiškite įrankį į pjovimo dervą, kaip parodyta piešinyje.

Pav.13

⚠DĖMESIO:

- Niekada nenaudokite pjovimui skirto tepalo, peiliui nenaudokite ir per daug dervos. Dėl to peilis gali prisasukti arba netikėtai nutrūkti.
- Pjaudami ketų, visai nenaudokite pjovimo dervos.

TECHNINĖ PRIEŽIŪRA

⚠DĖMESIO:

- Visuomet įsitikinkite, kad įrankis yra išjungtas ir akumulatoriaus kasetė yra nuimta prieš atliekant apžiūrą ir priežiūrą.
- Niekada nenaudokite gazolino, benzino, tirpiklio, spirito arba panašių medžiagų. Gali atsirasti išblukimų, deformacijų arba įtrūkimų.

Valymas

Po naudojimo, nuvalykite nuo įrankio, diskų ratlankių ir peilio dervą ir dulkes.

⚠DĖMESIO:

- Plastmasinėms dalims valyti niekada nenaudokite tirpiklių, pavyzdžiui, terpentino, benzino, lako ir pan.
- Ant ratlankių likusi derva ir atplaišos gali sukelti peilio praslydimą arba netikėtą nutrūkimą. Dervą ir atplaišas nuo ratlankių nuvalykite sausu skudurėliu.

Diskų ratlankių pakeitimas

Pav.14

Kai peilis praslysta arba netinkamai sukasi dėl stipriai nusidėvėjusių ratlankių, arba apgadinama ant variklio šono esančio ratlankio briauna, ratkanlius reikia pakeisti naujais.

Anglinių šepetėlių keitimas

Pav.15

Periodiškai išimkite ir patikrinkite anglinius šepetėlius. Pakeiskite juos, kai nusidėvi iki ribos žymės. Laikykite anglinius šepetėlius švarius ir laisvai įslenkančius į laikiklius. Abu angliniai šepetėliai turėtų būti keičiami tuo pačiu metu. Naudokite tik identiškus anglinius šepetėlius. Jei norite nuimti šepetėlių laikiklių dangtelius, pasinaudokite atsuktuvu. Išimkite sudėvėtus anglinius šepetėlius, įdėkite naujus ir įtvirtinkite šepetėlį laikiklio dangtelį.

Pav.16

Kad gaminys būtų SAUGUS ir PATIKIMAS, jį taisyti, apžiūrėti ar vykdyti bet kokią kitą priežiūrą ar derinimą turi įgaliotas kompanijos „Makita“ techninės priežiūros centras; reikia naudoti tik kompanijos „Makita“ pagamintas atsargines dalis.

PASIRENKAMI PRIEDAI

⚠DĖMESIO:

- Su šiaime vadove aprašytu įrenginiu „Makita“ rekomenduojama naudoti tik nurodytus priedus ir papildomus įtaisus. Jeigu bus naudojami kitokie priedai ar papildomi įtaisai, gali būti sužaloti žmonės. Priedus arba papildomus įtaisus naudokite tik pagal paskirtį.

Jeigu norite daugiau sužinoti apie tuos priedus, kreipkitės į artimiausią „Makita“ techninės priežiūros centrą.

- Juostinio pjūklo peiliai
- Šešiabriaunis veržliaraktis, 4
- Pjovimo derva
- Originalus „Makita“ akumulatorius ir kroviklis

PASTABA:

- Kai kurie sąraše esantys priedai gali būti pateikti įrankio pakuotėje kaip standartiniai priedai. Jie įvairiose šalyse gali skirtis.

EESTI (algsed juhised)

Üldvaate selgitus

1-1. Akukassett	6-3. Eend	9-1. Kruvi
1-2. Nupp	6-4. Hoob	9-2. Stopperplaat
1-3. Punane näidik	7-1. Saeleht	9-3. Saeleht
2-1. Tähe märgis	7-2. Laager	13-1. Lõikevaha
3-1. Lahtilukustuse nupp	7-3. Ülemine hoidik	14-1. Ketas
3-2. Lülitli päästik	7-4. Alumine hoidik	14-2. Rehv
4-1. Kiirusregulaator	8-1. Ülemine hoidik	14-3. Äärrik
5-1. Lamp	8-2. Alumine hoidik	15-1. Piirmärgis
6-1. Pinguta	8-3. Ketas	16-1. Kruvikeeraja
6-2. Keerake lahti	8-4. Vajutage	16-2. Harjahoidiku kate

TEHNILISED ANDMED

Mudel		BPB180
Max lõikejõudlus	Ümar detail	Läbimõõt 120 mm
	Ristkülikukujuline detail	120 mm x 120 mm
Tera kiirus		1,4 - 2,7 m/s
Tera suurus	Pikkus	1 140 mm
	Laius	13 mm
	Paksus	0,5 mm
Üldmõõtmed (P x L x K)		523 mm x 231 mm x 313 mm
Netomass		6,5 kg
Nimipinge		Alalisvool 18 V

- Meie jätkuva teadus- ja arendustegevuse programmi tõttu võidakse siin antud tehnilisi andmeid muuta ilma ette teatamata.
- Spetsifikatsioonid ja aku korpus võivad riigiti erineda.
- Kaal koos aku korpusega vastavalt EPTA-protseduurile 01/2003

ENE009-1

Ettenähtud kasutamine

Tööriist on ette nähtud puidu, plastiku ja rauasulamite lõikamiseks.

ENG905-1

Müra

Tüüpiiline A-korrigeeritud müratase vastavalt EN60745:

Helirõhu tase (L_{pA}) : 81 dB (A)
Helisurve tase (L_{WA}) : 92 dB (A)
Määramatus (K) : 3 dB (A)

Kandke kõrvakaitsmeid

ENG900-1

Vibratsioon

Vibratsiooni koguväärtus (kolmeteljeliste vektorite summa) määratud vastavalt EN60745:

Töörežiim: metalli lõikamine
Vibratsiooni emissioon ($a_{h,CM}$): 2,5 m/s² või vähem
Määramatus (K) : 1,5m/s²

ENG901-1

- Deklareeritud vibratsiooniemissiooni väärtus on mõõdetud kooskõlas standardse testimismeetodiga ning seda võib kasutada ühe seadme võrdlemiseks teisega.
- Deklareeritud vibratsiooniemissiooni väärtust võib kasutada ka mürataseme esmaseks hindamiseks.

⚠HOIATUS:

- Vibratsioonitase võib elektritööriista tegelikkuses kasutamise ajal erineda deklareeritud väärtusest sõltuvalt tööriista kasutamise viisidest.
- Rakendage kindlasti operaatori kaitsmiseks piisavaid ohutusabinõusid, mis põhinevad hinnangulisel müratasemel tegelikus töösituatsioonis (võttes arvesse tööperioodi kõik osad nagu näiteks korrad, mil seade lülitatakse välja ja mil seade töötab tühikäigul, lisaks tööajale).

Ainult Euroopa riigid

EÜ vastavusdeklaratsioon

Makita korporatsiooni vastutava tootjana kinnitame, et alljärgnev(ad) Makita masin(ad):

Masina tähistus:

Teisaldatav juhtmeta lintsaag

Mudel nr./tüüp: BPB180

on seeriatoodang ja

Vastavad alljärgnevale Euroopa Parlamendi ja nõukogu direktiividele:

2006/42/EC

Ning on toodetud vastavalt alljärgnevale standarditele või standardiseeritud dokumentidele:

EN60745

Tehnilist dokumentatsiooni hoitakse ettevõttes:

Makita International Europe Ltd.

Technical Department,

Michigan Drive, Tongwell,

Milton Keynes, Bucks MK15 8JD, Inglismaa

30.1.2009



000230

Tomoyasu Kato

Direktor

Makita Corporation

3-11-8, Sumiyoshi-cho,

Anjo, Aichi, 446-8502, JAAPAN

GEA010-1

Üldised elektritööriistade ohutusohiatused

⚠ HOIATUS Lugege läbi kõik ohutusohiatused ja juhised. Hoiatuste ja juhiste mittejärgmine võib põhjustada elektrišokki, tulekahju ja/või tõsiseid vigastusi.

Hoidke alles kõik hoiatused ja juhised edaspidisteks viideteks.

GEB065-2

TEISALDATAVA JUHTMETA LINTSAE OHUTUSNÕUDED

- Hoidke elektritööriista isoleeritud haardepindadest, kui töötate kohas, kus lõiketera võib sattuda kokkupuutesse varjatud juhtmetega. Lõiketera kokkupuude voolu all oleva juhtmega võib põhjustada tööriista metallosade pingestamise, mille tagajärjel tööriista kasutaja võib saada elektrilöögi.
- Kasutage ainult neid lõiketerasid, mis on loetletud „TEHNILISTES ANDMETES“.
- Enne toimingu teostamist kontrollige hoolikalt, et lõiketeral poleks mõrasid või vigastusi.

Asendage pragunenud või vigastatud lõiketera viivitamatult.

- Kinnitage töödeldav detail kindlalt. Töödeldavate detailide paketi lõikamisel veenduge enne lõikama asumist, et kõik detailid on kindlalt kinnitatud.
- Õliga kaetud töödeldavate detailide lõikamine võib põhjustada lõiketera ootamatut küljest lahtitulekut. Enne lõikamist pühkige töödeldavad detailid puhtaks liigest õlist.
- Ärge kunagi kasutage jahutus-määrdevedelikku lõikamise määrdeainena. Kasutage ainult Makita lõikamisvaha.
- Ärge kandke toimingut teostades kindaid.
- Hoidke tööriista kindlalt kahe käega.
- Hoidke käed eemal pöörlevatest osadest.
- Metalli lõikamisel olge ettevaatlik kuumade lendavate laastude suhtes.
- Ärge jätke töötavat tööriista järelevalveta.
- Ärge puutuge otsakut või töödeldavat detaili vahetult peale puurimist; need võivad olla väga kuumad ja põhjustada põletushaavu.

HOIDKE JUHEND ALLES.

⚠ HOIATUS:

ÄRGE laske mugavusel või toote kasutamisharjumustel (mis on saadud korduva kasutuse jooksul) asendada vankumatut toote ohutuseeskirjade järgimist. **VALE KASUTUS** või käesoleva kasutusjuhendi ohutusnõuete eiramine võib põhjustada tõsiseid vigastusi.

ENC007-8

TÄHTSAD OHUTUSALASED JUHISED

AKUKASSETI KOHTA

- Enne akukasseti kasutamist lugege (1) akulaadijal, (2) akul ja (3) seadmel olevad kõik juhised ja hoiatused läbi.
- Ärge akukassetti lahti monteerige.
- Kui tööaeg järjest lüheneb, siis lõpetage kasutamine koheselt. Edasise kasutamise tulemuseks võib olla ülekuumenemisoht, võimalikud põletused või isegi plahvatus.
- Kui elektrolüüti satub silma, siis loputage silma puhta veega ja pöörduge koheselt arsti poole. Selline õnnetus võib põhjustada põimedeksjäämist.
- Ärge tekitage akukassetis lühist:
 - Ärge puutuge klemme elektrijuhtidega.
 - Ärge hoidke akukassetti tööriistakastis koos metalliesemetega, nagu naelad, mündid jne.
 - Ärge tehke akukassetti märjaks ega jätke seda vihma kätte.

Aku lühis võib põhjustada tugevat elektrivoolu, ülekuumenemist, põletusi ning ka seadet tõsiselt kahjustada.

6. Ärge hoidke tööriista ja akukassetti kohtades, kus temperatuur võib tõusta üle 50 ° C.
7. Ärge põletage akukassetti isegi siis, kui see on saanud tõsiselt vigastada või on täiesti kulunud. Akukassett võib tules plahvatada.
8. Olge ettevaatlik ning ärge laske akul maha kukkuda või lööge seda.
9. Ärge kasutage kahjustatud akut.
10. Järgige kasutuskõlbatuks muutunud aku käitlemisel kohalikke eeskirju.

HOIDKE JUHEND ALLES.

Vihjeid aku maksimaalse kasutusaja tagamise kohta

1. Laadige akukassetti enne kui see täiesti tühjaks saab.
Alati, kui märkate, et tööriist töötab väiksema võimsusega, peatage töö ja laadige akut.
2. Ärge kunagi laadige täislaetud akukassetti.
Liigne laadimine lühendab aku kasutusiga.
3. Laadige akukassetti toatemperatuuril 10 ° C - 40 ° C. Laske kuimal akukassetil enne laadimist maha jahtuda.
4. Kui Te akukassetti pikemat aega ei kasuta, laadige seda iga kuue kuu järel.

FUNKTSIONAALNE KIRJELDUS

△HOIATUS:

- Kandke alati hoolt selle eest, et tööriist oleks enne reguleerimist ja kontrollimist välja lülitatud ja akukassett eemaldatud.

Akukassetti paigaldamine või eemaldamine

Joon.1

△HOIATUS:

- Lülitage tööriist alati enne akukassetti paigaldamist või eemaldamist välja.
- **Hoidke tööriista ja akukassetti kindlalt käes, kui paigaldate või eemaldate akukassetti.** Kui eirata nõuet tööriista ja akukassetti hoidmise kohta, võivad need käest libiseda ja maha kukkudes puruneda ja põhjustada kehavigastusi.

Akukassetti eemaldamiseks libistage see tööriista küljest lahti, vajutades kassetti esiküljel paiknevat nuppu alla.

Akukassetti paigaldamiseks joondage akukassetti keel korpuse soonega ja libistage kassett oma kohale. Paigaldage kassett alati nii kaugele, et see lukustuks klõpsatusega oma kohale. Kui näete nupu ülaosas punast osa, pole kassett täielikult lukustunud.

△HOIATUS:

- Paigaldage akukassett alati täies ulatuses nii, et punast osa ei jääks näha. Vastasel korral võib kassett tööriistast välja kukkuda ning vigastada Teid või läheduses viibivaid isikuid.
- Ärge rakendage jõudu akukassetti paigaldamisel. Kui kassett ei lähe kergesti sisse, pole see õigesti paigaldatud.

Aku kaitsesüsteem

Tööriist on varustatud aku kaitsesüsteemiga. Süsteem lülitab mootori automaatselt välja, et pikendada aku eluiga.

Tööriist seiskub käitamise ajal automaatselt, kui tööriista ja/või aku kohta kehtivad järgmised tingimused.

- Ülekoormus.
Tööriista kasutatakse viisil, mis põhjustab toitevoolu tugevuse tõusu lubatust kõrgemale.
Sellisel juhul lülitage tööriist välja ja peatage töö, mis põhjustas tööriista ülekoormuse. Seejärel lülitage tööriist sisse, et see taaskäivitada.
Kui tööriist ei käivitu, siis on aku ülekuumenenud. Sellisel juhul laske akul maha jahtuda enne, kui tööriista uuesti sisse lülitate.
- Madal akupinge.
Aku jääkmahtuvus on liiga väike ja tööriist ei hakka tööle. Sellisel juhul eemaldage aku ja laadige seda.

MÄRKUS:

Ülekuumenemiskaitse toimib ainult tähe märgisega varustatud akukassetiga.

Joon.2

Lüliti funktsioneerimine

Joon.3

△HOIATUS:

- Kontrollige alati enne akukasseti tööriista külge paigaldamist, kas lüliti päästik funktsioneerib nõuetekohaselt ja liigub lahtilaskmisel tagasi väljalülitatud asendisse.

Selleks, et lüliti päästikut poleks võimalik juhuslikult tõmmata, on tööriistal lahtilukustuse nupp.

Tööriista käivitamiseks vajutage lahtilukustuse nuppu B-küljelt ning tõmmake lüliti päästikut.

Seiskamiseks vabastage lüliti päästik. Pärast kasutamist vajutage lahtilukustuse nuppu alati A-küljelt.

Kiiruseregulaator

Joon.4

Tööriista kiirust saab regulaatorketast keerates vahemikus 1,4 m/s kuni 2,7 m/s piiramatult reguleerida. Kiiruse suurendamiseks keeratakse ketast numbrini 6 suunas; kiiruse vähendamiseks numbrini 1 suunas.

Valige lõigatava detaili jaoks õige kiirus.

△HOIATUS:

- Kiiruseregulaatorit saab keerata ainult numbrini 6 ja tagasi numbrini 1. Ärge kiiruseregulaatorit jõuga üle 6 või 1 keerata püüdes, sest vastasel korral ei pruugi kiiruse reguleerimise funktsioon enam töötada.

Lambi süütamine

Joon.5

△HOIATUS:

- Ärge lööge vastu lampi, sest see võib seda kahjustada või kasutusiga lühendada.

Lambi süütamiseks tõmmake lüliti päästikut. Lamp põleb seni, kuni tõmmatakse lüliti päästikut. Lamp kustub 10-15 sekundit pärast päästiku vabastamist.

MÄRKUS:

- Kasutage lambiklaasilt mustuse ära pühkimiseks kuiva riidelappi. Olge seda tehke ettevaatlik, et lambiklaasi mitte kriimustada, sest vastasel korral võib valgustus väheneda.
- Ärge kasutage lambi puhastamiseks vedeldit ega bensiooni. Lahustid võivad seda kahjustada.
- Kui tööriist töö käigus üle koormatakse, hakkab tuli vilkuma.
- Aku jääkmahtuvuse vähenedes hakkab tuli vilkuma.

KOKKUPANEK

△HOIATUS:

- Kandke alati hoolt selle eest, et tööriist oleks enne igasuguseid hooldustöid välja lülitatud ja akukassett eemaldatud.

Tera paigaldamine või eemaldamine

△HOIATUS:

- Terale sattunud õli võib põhjustada tera libisemist või ootamatut lahtitulekut. Enne tera paigaldamist pühkige kogu liigne õli lapiga ära.
- Tera käsitsemisel olge ettevaatlik, et vältida enda vigastamist terahammaste teravate servadega.

Keerake terapingutushooba päripäeva, kuni see puutub vastu raamil olevat endit.

Joon.6

Seadke teral olev nool ketastel oleva noolega ühesuunaliseks.

Joon.7

Asetage tera ümber rataste ja torgake tera teine külg ülemise ja alumise hoidikusse, kuni tera tagakülge puutub vastu ülemise ja alumise hoidiku alumist osa.

Joon.8

Hoidke tera paigal ja keerake terapingutushooba vastupäeva, kuni see puutub vastu raamil olevat endit. See rakendab terale nõuetekohase surve. Veenduge, et tera on terakaitsmes ja rataste ümber õiges asendis.

Käivitage ja seisake tööriist kaks või kolm korda veendumaks, et tera jookseb ratastel korralikult.

△HOIATUS:

- Veendudes, et tera jookseb ratastel õigesti, hoidke oma keha tera piirkonnast eemal.

Järgige saelehe eemaldamiseks saelehe paigaldamise protseduuri vastupidises järjekorras.

△HOIATUS:

- Terapingutushooba tera pingsuse vähendamiseks päripäeva pöörates suunake tööriist alla, sest tera võib ootamatult lahti tulla.

Stopperplaadi endi reguleerimine

Joon.9

Tavalise töö puhul lükake stopperplaat lõpuni A-küljele. Kui stopperplaat põrkab lõike lõpetamisel vastu takistust, näiteks seinu vms, keerake lahti kaks kruvi ja lükake see joonisel näidatud B-poolle.

Pärast stopperplaadi nihutamist fikseerige see, keerates kaks kruvi korralikult kinni.

TÖÖRIISTA KASUTAMINE

Oluline on hoida vähemalt kaks hammast lõikes.

Joon.10

Valige töödeldava detaili jaoks õige lõikeasend, juhindudes joonisest.

Joon.11

Hoidke tööriista mõlema käega, nagu näidatud joonisel, nii et stopperplaat puutub vastu töödeldavat detaili, tera aga mitte.

Joon.12

Lülitage tööriist sisse ja oodake, kuni tera saavutab täiskiiruse. Langetage tera ettevaatlikult lõikesse. Tööriista enda raskus või selle kerge surumine annab lõikamiseks piisava surve. Ärge tööriista jõuga tagant sundige.

Kui jõuate lõike lõpuni, vähendage survet ja tööriista tõstmata kergitage seda veidi, et vältida selle langemist vastu töödeldavat detaili.

⚠HOIATUS:

- Ülemäärase surve rakendamisel tööriistale või tera väänamisel võib lõige tulla viltune või tera viga saada.
- Kui te ei kasuta tööriista pikemat aega, eemaldage selle küljest tera.
- Kui tööriistaga töötatakse järjest seni, kuni akukassett on tühi, laske tööriistal enne uue akuga töö jätkamist 15 minutit seista.

Lõikuri määrdeaine

Metallide lõikamisel kasutage lõikuri määrdeainena Makita lõikevaha. Lõikevaha kandmiseks terahammastele käivitage tööriist ja lõigake sellega lõikevahasse, nagu joonisel näidatud, olles eelnevalt eemaldanud lõikevaha katva kaane.

Joon.13

⚠HOIATUS:

- Ärge kunagi kasutage lõikeõli ega kandke terale liiga palju vaha. Selle tagajärjel võib tera libiseda või ootamatult lahti tulla.
- Valuraua lõikamisel ärge lõikevaha kasutage.

HOOLDUS

⚠HOIATUS:

- Kandke alati enne kontroll- või hooldustoimingute teostamist hoolt selle eest, et tööriist oleks välja lülitatud ja akukassett korpuse küljest eemaldatud.
- Ärge kunagi kasutage bensiini, vedeldit, alkoholi ega midagi muud sarnast. Selle tulemuseks võib olla liutumine, deformatsioon või pragunemine.

Puhastamine

Pärast kasutamist eemaldage vaha, laastud ja saepuru tööriistalt, rattarehvidelt ja teralt.

⚠HOIATUS:

- Ärge kunagi kasutage plastikosade puhastamiseks lahusteid, näiteks tärpentiini, bensiini, poleervedelikku vms.
- Rehvidel olev vaha ja laastud võivad põhjustada tera libisemist ja ootamatut lahtitulekut. Kasutage rehvidelt vaha ja laastude eemaldamiseks kuiva riidelappi.

Rattarehvide vahetamine

Joon.14

Kui tera libiseb või ei järgi tugevalt kulunud rehvide tõttu korralikult lõikejoont või kui rehvi äärik mootori poolle viga saab, tuleb rehvid välja vahetada.

Süsiharjade asendamine

Joon.15

Võtke välja ja kontrollige süsiharju regulaarselt. Asendage süsiharjad uutega, kui need on kulunud piirmäärgini. Hoidke süsiharjad puhtad, nii on neid lihtne oma hoidikutesse libistada. Mõlemad süsiharjad tuleb asendada korraga. Kasutage ainult identseid süsiharju. Kasutage harjahoidikute kaante eemaldamiseks kruvikeerajat. Võtke ära kulunud süsiharjad välja, paigaldage uued ning kinnitage harjahoidikute kaaned tagasi oma kohale.

Joon.16

Toote OHUTUSE ja TÖÖKINDLUSE tagamiseks tuleb vajalikud remonttööd, muud hooldus- ja reguleerimistööd lasta teha Makita volitatud teeninduskeskustes. Alati tuleb kasutada Makita varuosi.

VALIKULISED TARVIKUD

⚠HOIATUS:

- Neid tarvikuid ja lisaseadiseid on soovitatav kasutada koos Makita tööriistaga, mille kasutamist selles kasutusjuhendis kirjeldatakse. Muude tarvikute ja lisaseadiste kasutamisega kaasneb vigastada saamise oht. Kasutage tarvikuid ja lisaseadiseid ainult otstarvetel, milleks need on ette nähtud.

Saate vajadusel kohalikust Makita teeninduskeskusest lisateavet nende tarvikute kohta.

- Lintsäterad
- Kuuskantvõti 4
- Lõikevaha
- Makita algupärane aku ja laadija

MÄRKUS:

- Mõned nimekirjas loetletud tarvikud võivad kuuluda standardvarustusse ning need on lisatud tööriista pakendisse. Need võivad riikide lõikes erineda.

РУССКИЙ ЯЗЫК (Исходная инструкция)

Объяснения общего плана

1-1. Блок аккумулятора	6-3. Выступ	9-1. Винт
1-2. Кнопка	6-4. Рычаг	9-2. Стопорная пластина
1-3. Красный индикатор	7-1. Диск	9-3. Диск
2-1. Звездочка	7-2. Подшипник	13-1. Воск для пиления
3-1. Кнопка разблокирования	7-3. Верхний держатель	14-1. Диск
3-2. Курковый выключатель	7-4. Нижний держатель	14-2. Обод
4-1. Поворотный регулятор скорости	8-1. Верхний держатель	14-3. Бортик
5-1. Лампа	8-2. Нижний держатель	15-1. Ограничительная метка
6-1. Затянуть	8-3. Диск	16-1. Отвертка
6-2. Ослабить	8-4. Нажмите	16-2. Колпачок держателя щетки

ТЕХНИЧЕСКИЕ ХАРАКТЕРИСТИКИ

Модель		ВРВ180
Максю производительность резки	Круглая деталь	120 мм диам.
	Прямоугольная деталь	120 мм x 120 мм
Скорость подачи полотна		1,4 - 2,7 м/с
Размер полотна	Длина	1140 мм
	Ширина	13 мм
	Толщина	0,5 мм
Общие размеры (Д x Ш x В)		523 мм x 231 мм x 313 мм
Вес нетто		6,5 кг
Номинальное напряжение		18 В пост. Тока

• Благодаря нашей постоянно действующей программе исследований и разработок, указанные здесь технические характеристики могут быть изменены без предварительного уведомления.

• Технические характеристики и аккумуляторный блок могут отличаться в зависимости от страны.

• Масса (с аккумуляторным блоком) в соответствии с процедурой ЕРТА 01.2003

ENE009-1

ENG901-1

Использование по назначению

Данный инструмент предназначен для распиливания древесины, резки пластика и черного металла.

ENG905-1

Шум

Типичный уровень взвешенного звукового давления (А), измеренный в соответствии с EN60745:

Уровень звукового давления (L_{pA}): 81 дБ (А)

Уровень звуковой мощности (L_{WA}): 92 дБ (А)

Погрешность (К): 3 дБ (А)

Используйте средства защиты слуха

ENG900-1

Вибрация

Суммарное значение вибрации (сумма векторов по трем осям) определяется по следующим параметрам EN60745:

Рабочий режим: резка металла

Распространение вибрации ($a_{h,CM}$): 2,5 м/с² или менее

Погрешность (К): 1,5 м/с²

- Заявленное значение распространения вибрации измерено в соответствии со стандартной методикой испытаний и может быть использовано для сравнения инструментов.
- Заявленное значение распространения вибрации можно также использовать для предварительных оценок воздействия.

⚠️ ПРЕДУПРЕЖДЕНИЕ:

- Распространение вибрации во время фактического использования электроинструмента может отличаться от заявленного значения в зависимости способа применения инструмента.
- Обязательно определите меры безопасности для защиты оператора, основанные на оценке воздействия в реальных условиях использования (с учетом всех этапов рабочего цикла, таких как выключение инструмента, работа без нагрузки и включение).

Только для европейских стран

Декларация о соответствии ЕС

Makita Corporation, являясь ответственным производителем, заявляет, что следующие устройство (-а) Makita:

Обозначение устройства:

Аккумуляторная ленточная пила

Модель/Тип: BPB180

являются серийными изделиями и

Соответствует (-ют) следующим директивам ЕС:
2006/42/ЕС

и изготовлены в соответствии со следующими стандартами или нормативными документами:

EN60745

Техническая документация хранится по адресу:

Makita International Europe Ltd.

Technical Department,

Michigan Drive, Tongwell,

Milton Keynes, Bucks MK15 8JD, England

30.1.2009



000230

Tomoyasu Kato

Директор

Makita Corporation

3-11-8, Sumiyoshi-cho,

Anjo, Aichi, 446-8502, JAPAN

GEA010-1

Общие рекомендации по технике безопасности для электроинструментов

⚠ ПРЕДУПРЕЖДЕНИЕ Ознакомьтесь со всеми инструкциями и рекомендациями по технике безопасности. Невыполнение инструкций и рекомендаций может привести к поражению электротоком, пожару и/или тяжелым травмам.

Сохраните брошюру с инструкциями и рекомендациями для дальнейшего использования.

ПРАВИЛА ТЕХНИКИ БЕЗОПАСНОСТИ ПРИ ЭКСПЛУАТАЦИИ АККУМУЛЯТОРНОЙ ПЕРЕНОСНОЙ ЛЕНТОЧНОЙ ПИЛЫ

1. Если при выполнении работ существует риск контакта режущего инструмента со скрытой электропроводкой, держите электроинструмент за специально предназначенные изолированные поверхности. Контакт с проводом под напряжением приведет к тому, что металлические детали инструмента также будут под напряжением, что приведет к поражению оператора электрическим током.
2. Используйте только те полотна, которые указаны в разделе "ТЕХНИЧЕСКИЕ ХАРАКТЕРИСТИКИ".
3. Перед эксплуатацией тщательно осмотрите диск и убедитесь в отсутствии трещин или повреждений. Немедленно замените треснувший или поврежденный диск.
4. Надежно закрепите обрабатываемую деталь. При распиливании пачки или стопки деталей предварительно убедитесь, что все детали надежно закреплены друг с другом.
5. Распиливание деталей, покрытых маслом, может привести к внезапному соскакиванию полотна. Перед распиливанием удалите излишки масла с детали.
6. Не используйте смазочно-охлаждающую жидкость в качестве смазки для резки. Используйте только воск для пиления компании Makita.
7. Не надевайте перчатки во время работы.
8. Крепко держите инструмент обеими руками.
9. Руки должны находиться на расстоянии от вращающихся деталей.
10. При резке металла остерегайтесь летящих горячих искр.
11. Не оставляйте работающий инструмент без присмотра.
12. Сразу после окончания работ не прикасайтесь к полотну или разрезаемой детали. Они могут быть очень горячими, что приведет к ожогам кожи.

СОХРАНИТЕ ДАННЫЕ ИНСТРУКЦИИ.

⚠ ПРЕДУПРЕЖДЕНИЕ:

НЕ ДОПУСКАЙТЕ, чтобы удобство или опыт эксплуатации данного устройства (полученный от многократного использования) доминировали над строгим соблюдением правил техники безопасности при обращении с этим устройством. **НЕПРАВИЛЬНОЕ ИСПОЛЬЗОВАНИЕ** инструмента или несоблюдение правил техники безопасности, указанных в данном руководстве, может привести к тяжелой травме.

ENC007-8

ВАЖНЫЕ ИНСТРУКЦИИ ПО ТЕХНИКЕ БЕЗОПАСНОСТИ

ДЛЯ АККУМУЛЯТОРНОГО БЛОКА

1. Перед использованием аккумуляторного блока прочитайте все инструкции и предупреждающие надписи на (1) зарядном устройстве, (2) аккумуляторном блоке и (3) инструменте, работающем от аккумуляторного блока.
2. Не разбирайте аккумуляторный блок.
3. Если время работы аккумуляторного блока значительно сократилось, немедленно прекратите работу. В противном случае, может возникнуть перегрев блока, что приведет к ожогам и даже к взрыву.
4. В случае попадания электролита в глаза, промойте их обильным количеством чистой воды и немедленно обратитесь к врачу. Это может привести к потере зрения.
5. Не замыкайте контакты аккумуляторного блока между собой:
 - (1) Не прикасайтесь к контактам какими-либо токопроводящими предметами.
 - (2) Не храните аккумуляторный блок в контейнере вместе с другими металлическими предметами, такими как гвозди, монеты и т. п.
 - (3) Не допускайте попадания на аккумуляторный блок воды или дождя.Замыкание контактов аккумуляторного блока между собой может привести к возникновению большого тока, перегреву, возможным ожогам и даже разрыву блока.
6. Не храните инструмент и аккумуляторный блок в местах, где температура может достигать или превышать 50 ° C (122 ° F).
7. Не бросайте аккумуляторный блок в огонь, даже если он сильно поврежден или полностью вышел из строя. Аккумуляторный блок может взорваться под действием огня.

8. Не роняйте и не ударяйте аккумуляторный блок.
9. Не используйте поврежденный аккумуляторный блок.
10. Выполняйте требования местного законодательства относительно утилизации аккумуляторного блока.

СОХРАНИТЕ ДАННЫЕ ИНСТРУКЦИИ.

Советы по обеспечению максимального срока службы аккумуляторного блока

1. Заряжайте аккумуляторный блок до того, как он полностью разрядится. В случае потери мощности при эксплуатации инструмента, прекратите работу и зарядите аккумуляторный блок.
2. Никогда не заряжайте полностью заряженный аккумуляторный блок. Перезарядка сокращает срок службы блока.
3. Заряжайте аккумуляторный блок при комнатной температуре в пределах от 10 ° C до 40 ° C (от 50 ° F до 104 ° F). Перед зарядкой дайте горячему аккумуляторному блоку остыть.
4. Если инструмент не используется в течение длительного времени, заряжайте аккумуляторный блок один раз в шесть месяцев.

ОПИСАНИЕ ФУНКЦИОНИРОВАНИЯ

⚠️ ПРЕДУПРЕЖДЕНИЕ:

- Перед регулировкой или проверкой функционирования всегда отключайте инструмент и вынимайте блок аккумуляторов.

Установка или снятие блока аккумуляторов

Рис.1

⚠️ ПРЕДУПРЕЖДЕНИЕ:

- Обязательно выключайте инструмент перед установкой и извлечением аккумуляторного блока.
- При установке или снятии аккумуляторного блока надежно удерживайте инструмент и аккумуляторный блок. Иначе инструмент и аккумуляторный блок могут выскользнуть из рук, что может привести к травмам или повреждению инструмента и аккумуляторного блока.

Для снятия аккумуляторного блока нажмите кнопку на лицевой стороне и извлеките блок.

Для установки аккумуляторного блока совместите выступ блока с пазом в корпусе и задвиньте его на место. Устанавливайте блок до упора так, чтобы он зафиксировался на месте с небольшим щелчком. Если вы можете видеть красный индикатор на верхней части клавиши, аккумуляторный блок не полностью установлен на месте.

⚠️ ПРЕДУПРЕЖДЕНИЕ:

- Обязательно устанавливайте аккумуляторный блок до конца, чтобы красный индикатор не был виден. В противном случае аккумуляторный блок может выпасть из инструмента и нанести травму вам или другим людям.
- Не прилагайте чрезмерных усилий при установке аккумуляторного блока. Если блок не двигается свободно, значит он вставлен неправильно.

Система защиты аккумулятора

На инструменте предусмотрена система защиты аккумулятора. Она автоматически отключает питание двигателя для продления срока службы аккумулятора.

Инструмент автоматически остановится во время работы при возникновении указанных ниже ситуаций:

- Перегрузка:
Из-за способа эксплуатации инструмент потребляет очень большое количество тока.
В этом случае выключите инструмент и прекратите использование, повлекшее перегрузку инструмента. Затем снова включите инструмент, чтобы возобновить работу.

Если инструмент не включается, значит, перегрелся аккумуляторный блок. В этом случае дайте ему остыть перед повторным включением инструмента.

- Низкое напряжение аккумуляторной батареи:
Уровень оставшегося заряда аккумулятора слишком низкий и инструмент не работает. В этом случае снимите и зарядите аккумуляторный блок.

Примечание:

Защита от перегрева работает только на блоках аккумуляторов со звездочкой.

Рис.2

Действие выключателя

Рис.3

⚠️ ПРЕДУПРЕЖДЕНИЕ:

- Перед вставкой блока аккумуляторов в инструмент, всегда проверяйте, что триггерный переключатель работает надлежащим образом и возвращается в положение "ВЫКЛ", если его отпустить.

Во избежание случайного нажатия куркового выключателя пила оборудована кнопкой разблокировки.

Для того чтобы начать пользоваться инструментом, нажмите кнопку разблокировки со стороны В, а затем - курковый выключатель.

Для выключения инструмента отпустите курковый выключатель. После прекращения работы нажмите на кнопку блокировки со стороны А.

Диск регулировки скорости

Рис.4

Скорость работы инструмента можно настроить в диапазоне от 1,4 м/с до 2,7 м/с при помощи поворотного регулятора со шкалой. Для повышения скорости работы поворачивайте регулятор со шкалой в направлении цифры 6; для понижения скорости работы - в направлении цифры 1.

Выберите скорость, соответствующую распиливаемой детали.

⚠️ ПРЕДУПРЕЖДЕНИЕ:

- Диск регулировки скорости можно поворачивать только до цифры 6 и обратно до 1. Не пытайтесь повернуть его дальше 6 или 1, так как функция регулировки скорости может выйти из строя.

Включение лампы

Рис.5

⚠️ ПРЕДУПРЕЖДЕНИЕ:

- Не допускайте ударных воздействий на лампу, т. к. это может привести к ее повреждению или сокращению срока службы.

Нажмите на курковый выключатель для включения лампы. Лампа будет светиться до тех пор, пока выключатель будет оставаться в нажатом положении. Лампа гаснет через 10-15 секунд после отпускания выключателя.

Примечание:

- Используйте сухую ткань для очистки грязи с линзы лампы. Следите за тем, чтобы не поцарапать линзу лампы, так как это может уменьшить освещение.
- Не используйте растворитель или бензин для чистки лампы. Эти химические вещества могут привести к повреждению лампы.
- При перегрузке инструмента лампа начинает мигать.
- Лампа также начинает мигать, когда заряд аккумуляторной батареи значительно снижается.

МОНТАЖ

⚠️ ПРЕДУПРЕЖДЕНИЕ:

- Перед проведением каких-либо работ с инструментом всегда проверяйте, что инструмент отключен, а блок аккумуляторов снят.

Установка или снятие полотна

⚠️ ПРЕДУПРЕЖДЕНИЕ:

- Масло на полотне может привести к его проскальзыванию или неожиданному соскакиванию полотна. Перед установкой полотна удалите излишки масла при помощи ткани.
- Будьте осторожны при обращении с полотном, чтобы не порезаться острыми краями зубьев полотна.

Поверните рычаг натяжения полотна по часовой стрелке так, чтобы он соприкоснулся с выступом на раме.

Рис.6

Стрелка на полотне, показывающая направление, должна совпадать со стрелкой на шкиве, показывающей направление.

Рис.7

Установите полотно вокруг шкивов и вставьте другую сторону полотна в верхний и нижний держатели так, чтобы обратная сторона полотна касалась основания верхнего и нижнего держателя.

Рис.8

Удерживая полотно на месте, поверните рычаг натяжения полотна против часовой стрелки так, чтобы он соприкоснулся с выступом на раме. Это обеспечит правильное натяжение полотна. Убедитесь, что полотно правильно расположено в ограждении полотна и вокруг шкивов.

Включите и выключите инструмент два-три раза, чтобы убедиться, что полотно правильно перемещается на шкивах.

⚠️ ПРЕДУПРЕЖДЕНИЕ:

- Во время проверки перемещения полотна держитесь на расстоянии от места установки полотна.

Для снятия лезвия выполните процедуру установки в обратном порядке.

⚠️ ПРЕДУПРЕЖДЕНИЕ:

- При повороте рычага натяжения полотна по часовой стрелке для ослабления натяжения полотна направляйте инструмент вниз, так как полотно может неожиданно выскочить.

Регулировка выступа стопорной пластины

Рис.9

При нормальной работе стопорная пластина должна полностью выступать в сторону А.

Когда, при завершении пиления, стопорная пластина упрется в препятствие, такое как стена и т. п., ослабьте два винта и сдвиньте ее в сторону В, как показано на рисунке.

После перемещения пластины надежно зафиксируйте ее, затянув два винта.

ЭКСПЛУАТАЦИЯ

Очень важно, чтобы в резе находилось, как минимум, два зуба.

Рис.10

Выберите соответствующее положение распилы вашей детали, воспользовавшись для справки рисунками.

Рис.11

Удерживайте инструмент двумя руками, как показано на рисунке, со стопорной пластиной, соприкасающейся с деталью и полотном, не касающимся распиливаемой детали.

Рис.12

Включите инструмент и дождитесь набора полной скорости пилы. Аккуратно опускайте полотно на распиливаемую деталь. Собственный вес инструмента или легкое нажатие на инструмент достаточны для создания адекватного давления для распилы. Не прилагайте излишних усилий к электроинструменту.

По достижении конца распилы ослабьте давление на инструмент, и полностью не поднимая его, слегка приподнимите, чтобы он не упал на распиливаемую деталь.

⚠️ ПРЕДУПРЕЖДЕНИЕ:

- Излишнее давление на инструмент или перегибание полотна могут привести к косому распилу или поломке полотна.

- Если инструмент не будет использоваться длительное время, необходимо снять с него пыльное полотно.
- Если инструмент эксплуатировался непрерывно до разряда блока аккумуляторов, сделайте перерыв на 15 минут перед началом работы с заряженным аккумулятором.

Смазка для пиления

При распиливании металла в качестве вещества для смазки используйте воск для пиления компании Makita. Для нанесения воска на зубья пилы включите инструмент и пропилите им воск для смазки, как показано на рисунке, предварительно сняв крышку с воска для смазки.

Рис.13

⚠️ПРЕДУПРЕЖДЕНИЕ:

- Никогда не используйте смазочное масло и не наносите слишком большое количество воска на полотно. Это может привести к прокаливанию полотна или его неожиданному соскакиванию.
- При распиливании деталей из чугуна не используйте какую-либо смазку для пиления.

ТЕХОБСЛУЖИВАНИЕ

⚠️ПРЕДУПРЕЖДЕНИЕ:

- Перед проведением проверки или работ по техобслуживанию, всегда проверяйте, что инструмент выключен, а блок аккумуляторов вынут.
- Запрещается использовать бензин, лигроин, растворитель, спирт и т.п. Это может привести к изменению цвета, деформации и появлению трещин.

Чистка

После использования удалите воск, опилки и пыль с инструмента, обода шкивов и полотна.

⚠️ПРЕДУПРЕЖДЕНИЕ:

- Для чистки пластиковых деталей никогда не используйте растворители, такие как скипидар, бензин, лак и т. п.
- Воск и опилки на ободке могут привести к прокаливанию или неожиданному соскакиванию полотна. Для удаления воска и опилок с обода используйте сухую ткань.

Замена ободов на шкивах.

Рис.14

Если полотно прокаливается или плохо движется из-за изношенного обода, или выступ на ободке со стороны мотора износился или поврежден, необходимо заменить оба обода.

Замена угольных щеток

Рис.15

Регулярно вынимайте и проверяйте угольные щетки. Заменяйте их, если они изношены до ограничительной отметки. Содержите угольные щетки в чистоте и в свободном для скольжения в держателях положении. При замене необходимо менять обе угольные щетки одновременно. Используйте только одинаковые угольные щетки. Используйте отвертку для снятия крышек щеткодержателей. Извлеките изношенные угольные щетки, вставьте новые и закрутите крышки щеткодержателей.

Рис.16

Для обеспечения БЕЗОПАСНОСТИ и НАДЕЖНОСТИ обслуживания, ремонт, любое другое техобслуживание или регулировку необходимо производить в уполномоченных сервис-центрах Makita, с использованием только сменных частей производства Makita.

ДОПОЛНИТЕЛЬНЫЕ ПРИНАДЛЕЖНОСТИ

⚠️ПРЕДУПРЕЖДЕНИЕ:

- Эти принадлежности или насадки рекомендуется использовать вместе с Вашим инструментом Makita, описанным в данном руководстве. Использование каких-либо других принадлежностей или насадок может представлять опасность получения травм. Используйте принадлежность или насадку только по указанному назначению.

Если Вам необходимо содействие в получении дополнительной информации по этим принадлежностям, свяжитесь со своим местным сервис-центром Makita.

- Пильные полотна
- Шестигранный ключ 4
- Воск для пиления
- Оригинальный аккумулятор и зарядное устройство Makita

Примечание:

- Некоторые элементы списка могут входить в комплект инструмента в качестве стандартных приспособлений. Они могут отличаться в зависимости от страны.

Makita Corporation
Anjo, Aichi, Japan

884663B983

www.makita.com