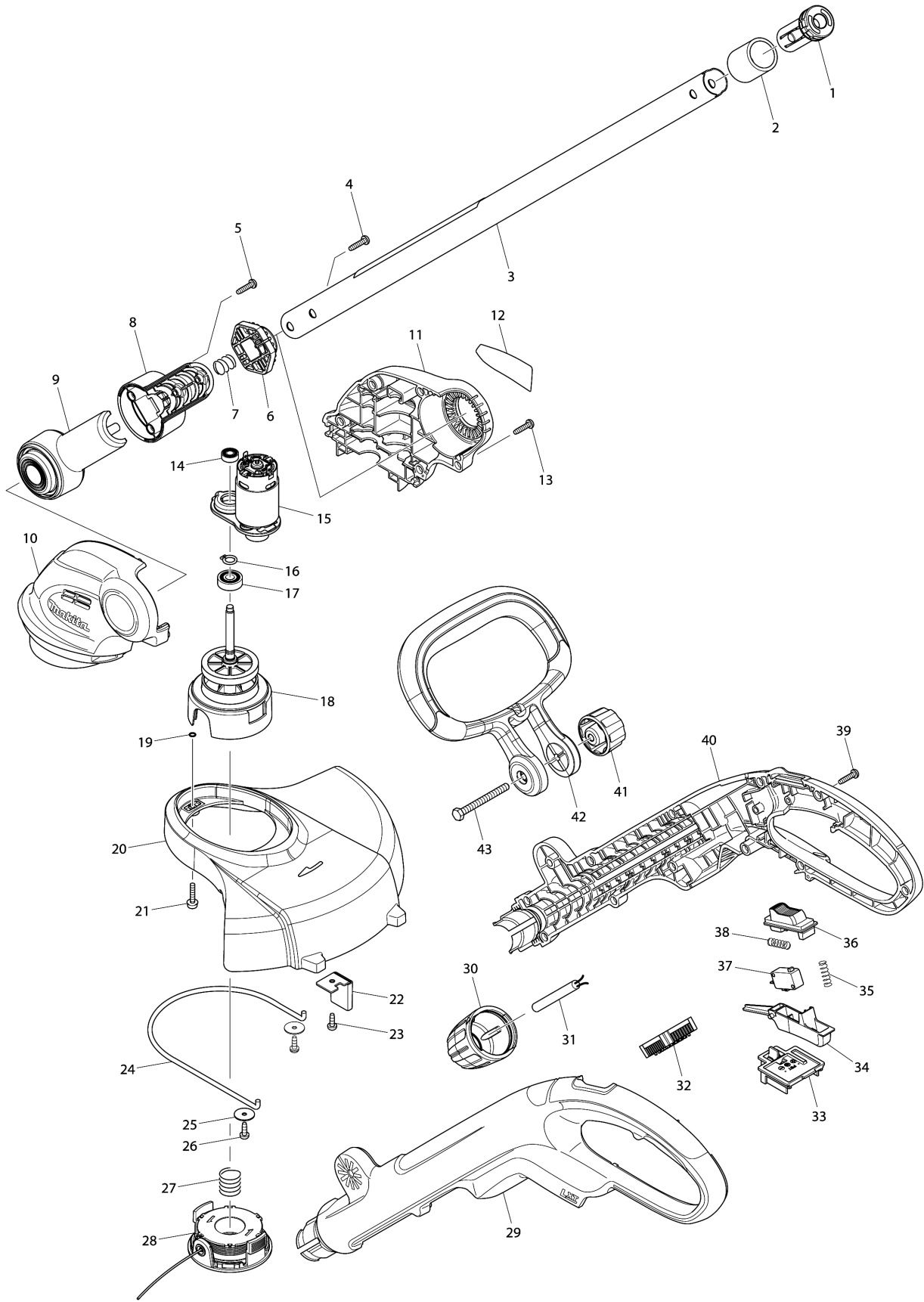


Model No.DUR181 260MM CORDLESS STRING TRIMMER



Model No.DUR181 260MM CORDLESS STRING TRIMMER

Item	Parts No.	Description	I/C	Qty	New/Old	Opt. 1	Opt. 2	Note
001	453357-2	PIPE CAP		1				
002	422089-2	RUBBER SLEEVE 25		1				
003	141339-3	PIPE25 COMPLETE		1				
C10	890862-2	CAUTION LABEL		1				
004	265995-6	TAPPING SCREW 4X18		2				
005	265995-6	TAPPING SCREW 4X18		2				
006	451896-6	LOCK OFF BUTTON B		1				
007	231113-8	COMPRESSION SPRING 12		1				
008	188870-8	PIPE HOLDER SET		1				
D10		INC. 9						
009	188870-8	PIPE HOLDER SET		1				
D10		INC. 8						
010	187413-3	MOTOR HOUSING SET		1				
C10	263002-9	RUBBER PIN 4		2				
C20	263005-3	RUBBER PIN 6		2				
C30	931102-0	HEX. NUT M4		2				
D10		INC. 11						
011	187413-3	MOTOR HOUSING SET		1				
C10	263002-9	RUBBER PIN 4		2				
C20	263005-3	RUBBER PIN 6		2				
C30	931102-0	HEX. NUT M4		2				
D10		INC. 10						
012	815V40-5	DUR181 NAME PLATE		1				
013	265995-6	TAPPING SCREW 4X18		5				
014	210006-2	BALL BEARING 696ZZ		1				
015	629932-8	DC MOTOR		1				
016	961004-6	RETAINING RING S-8		1				
017	211032-4	BALL BEARING 608ZZ		1				
018	141338-5	GEAR SHAFT COMPLETE		1				
C10	227283-9	SPUR GEAR 48		1				
C20	266744-4	+ PAN HEAD SCREW M4X8		1				
C30	326159-8	GEAR SHAFT		1				
C40	453360-3	SPOOL HOLDER		1				
019	213023-1	O RING 4		2				
020	453353-0	SAFETY COVER		1				
021	911139-3	PAN HEAD SCREW M4X20 WG		2				
022	123169-4	CORD CUTTER ASSEMBLY		1				
023	266020-6	TAPPING SCREW 4X12		1				
024	326128-9	WIRE GUARD		1				
025	267071-2	FLAT WASHER 4		2				
026	266020-6	TAPPING SCREW 4X12		2				
027	231352-0	COMPRESSION SPRING 17		1				

Please order the parts with part number.

Print Date 27/3/2020

Model No.DUR181 260MM CORDLESS STRING TRIMMER

Item	Parts No.	Description	I/C	Qty	New/Old	Opt. 1	Opt. 2	Note
028	196146-9	SPOOL SET		1				
029	187416-7	HANDLE SET		1				
C10	263005-3	RUBBER PIN 6		2				
D10		INC. 40						
030	453344-1	LOCK SLEEVE		1				
031	699058-0	POWER SUPPLY CORD UNIT		1				
032	620112-9	CONTROLLER		1	*			
032-1	632M91-7	CONTROLLER UNIT	S	1				
033	643852-2	TERMINAL		1				
034	453338-6	SWITCH LEVER		1				
035	233068-3	COMPRESSION SPRING 6		1				
036	453339-4	LOCK OFF LEVER		1				
037	651891-8	SWITCH V-15-3A6		1				
038	233068-3	COMPRESSION SPRING 6		1				
039	265995-6	TAPPING SCREW 4X18		11				
040	187416-7	HANDLE SET		1				
C10	263005-3	RUBBER PIN 6		2				
D10		INC. 29						
041	264072-1	THUMB NUT M6		1				
042	453340-9	FRONT GRIP		1				
043	921382-6	HEX. BOLT M6X60		1				
A01	125516-5	BAND ASSEMBLY		1				
A02	195246-2	SAFETY GOGGLE		1	*			
A03	196148-5	NYLON CORD 1.65-15M SET		1				
A04F	***DC18RC	DC18RC FAST CHARGER		1				
A04G	***DC18SD	DC18SD BATTERY CHARGER		1				
A04H	***DC18SD	DC18SD BATTERY CHARGER		1				
A04I	***DC18SD	DC18SD BATTERY CHARGER		1				
A05F	194204-5	BATTERY BL1830 SET		1	*			
A05G	196235-0	BATTERY BL1815N SET		1	*			
A05H	196460-3	BATTERY BL1820 SET		1				
A05I	194204-5	BATTERY BL1830 SET		1	*			
A05-1F	194204-5	BATTERY BL1830 SET	O	1	*			
A05-1G	196235-0	BATTERY BL1815N SET	O	1				
A05-1I	197600-6	BATTERY BL1830B SET	<	1	*			
A05-2F	197600-6	BATTERY BL1830B SET	<	1	*			
A05-2I	197600-6	BATTERY BL1830B SET	O	1				
A05-3F	197600-6	BATTERY BL1830B SET	O	1				
A06G	450128-8	BATTERY COVER		1				
A06H	450128-8	BATTERY COVER		1				
A06I	450128-8	BATTERY COVER		1				
E01	688172-7	LINE FILTER	S	1				

Please order the parts with part number.

Print Date 27/3/2020