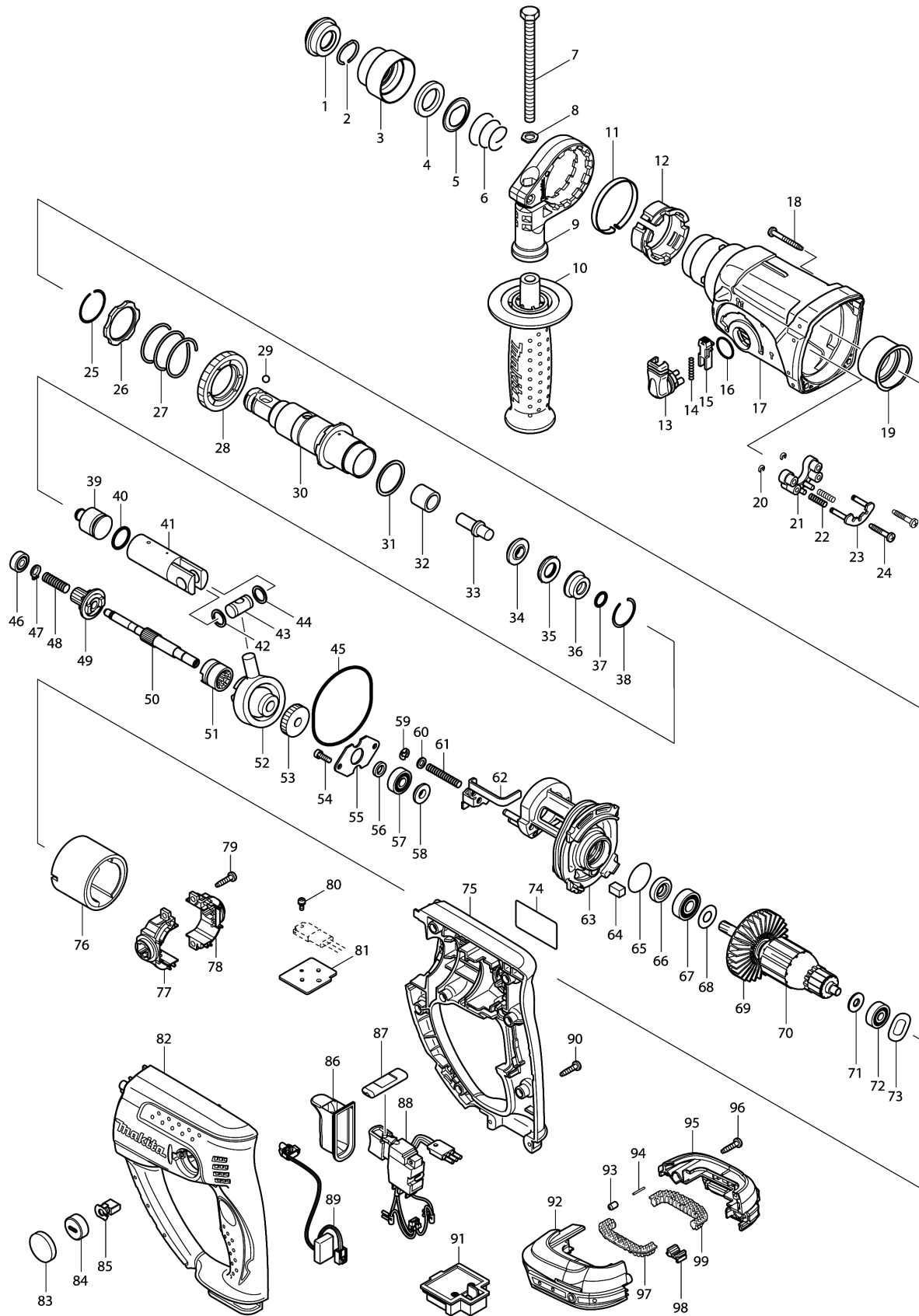


Model No.DHR202 CORDLESS COMBINATION HAMMER



Model No.DHR202 CORDLESS COMBINATION HAMMER

Item	Parts No.	Description	I/C	Qty	New/Old	Sales	Purch.	Note
001	286263-4	CAP 35		1		7,50	5,25	
002	233940-9	RING SPRING 19		1		4,00	2,80	
003	417629-9	CHUCK COVER		1		8,50	5,95	
004	257241-1	RING 21		1		8,50	5,95	
005	345187-4	GUIDE WASHER		1		5,00	3,50	
006	233916-6	CONICAL COMP. SPRING 21-29		1		4,00	2,80	
007	921923-8	HEX. BOLT M8X120		1				
008	345280-4	HEX. WASHER		1		4,00	2,80	
009	417630-4	GRIP BASE		1		18,50	12,95	
010	158057-6	GRIP 36 COMPLETE		1		64,00	44,80	
C10	931402-8	HEX. NUT M8		1		5,00	3,50	
013	162245-9	CHANGE LEVER		1		14,00	9,80	
014	233459-8	COMPRESSION SPRING 3		1		4,00		
015	419192-8	LOCK BUTTON		1		5,00	3,50	
016	213278-8	O RING 17		1		4,00	2,80	
017	158216-2	GEAR HOUSING COMPLETE		1		135,00	94,50	
C10	213345-9	OIL SEAL 25		1		28,50		
018	266351-3	TAPPING SCREW 4X35		4		4,00	2,80	
019	153290-5	NEEDLE BEARING COMPLETE		1		83,00	58,10	
020	961017-7	STOP RING E-3		2		4,00	2,80	
021	417796-0	GUIDE BASE		1		4,00	2,80	
022	233344-5	COMPRESSION SPRING 4		2		4,00	2,80	
023	163430-7	LOCK PLATE COMPLETE		1		10,00	7,00	
024	266374-1	TAPPING SCREW 4X25		2		4,00	2,80	
025	233929-7	RING SPRING 29		1		4,00	2,80	
026	267460-1	WASHER 31		1		4,00	2,80	
027	233401-9	COMPRESSION SPRING 32		1		10,00	7,00	
028	227109-5	SPUR GEAR 51		1		99,00	69,30	
029	216022-2	STEEL BALL 7.0		1		4,00	2,80	
030	158574-6	TOOL HOLDER COMPLETE		1		286,00	200,20	
031	267229-3	FLAT WASHER 28		1		4,00	2,80	
032	331769-8	SLEEVE 9		1		14,00	9,80	
033	324669-9	IMPACT BOLT		1		83,00	58,10	
034	324402-9	RING 10		1		25,00	17,50	
035	421955-0	CUSHION RING 13		1		7,50	5,25	
036	324216-6	O RING CASE		1		39,00	27,30	
037	213073-6	O RING 9		1		7,50	5,25	
038	233917-4	RING SPRING 28		1		4,00	2,80	
039	324214-0	STRIKER		1		25,00	17,50	
040	213227-5	O RING 16		1		8,50	5,95	
041	318132-2	PISTON CYLINDER		1		121,00	84,70	
042	267104-3	FLAT WASHER 12		1		7,50		

Please order the parts with part number.

Print Date 27/11/2020

Model No.DHR202 CORDLESS COMBINATION HAMMER

Item	Parts No.	Description	I/C	Qty	New/Old	Sales	Purch.	Note
043	324215-8	PISTON JOINT		1		13,00	9,10	
044	267104-3	FLAT WASHER 12		1		7,50		
045	213727-5	O-RING 63		1		7,50	5,25	
046H	211012-0	BALL BEARING 606ZZ		1	*	74,00	51,80	
046I	211012-0	BALL BEARING 606ZZ		1	*	74,00	51,80	
046J	211012-0	BALL BEARING 606ZZ		1	*	74,00	51,80	
046M	211012-0	BALL BEARING 606ZZ		1	*	74,00	51,80	
046N	211012-0	BALL BEARING 606ZZ		1	*	74,00	51,80	
046O	211012-0	BALL BEARING 606ZZ		1	*	74,00	51,80	
046P	211012-0	BALL BEARING 606ZZ		1	*	74,00	51,80	
046-1H	210028-2	BALL BEARING 606ZZ	O	1		21,50	15,05	
046-1I	210028-2	BALL BEARING 606ZZ	O	1		21,50	15,05	
046-1J	210028-2	BALL BEARING 606ZZ	O	1		21,50	15,05	
046-1M	210028-2	BALL BEARING 606ZZ	O	1		21,50	15,05	
046-1N	210028-2	BALL BEARING 606ZZ	O	1		21,50	15,05	
046-1O	210028-2	BALL BEARING 606ZZ	O	1		21,50	15,05	
046-1P	210028-2	BALL BEARING 606ZZ	O	1		21,50	15,05	
046-1Q	210028-2	BALL BEARING 606ZZ		1		21,50	15,05	
046-1R	210028-2	BALL BEARING 606ZZ		1		21,50	15,05	
047	961003-8	RETAINING RING S-7		1				
048	233343-7	COMPRESSION SPRING 7		1		5,00		
049	227179-4	SPUR GEAR 10		1		159,00	111,30	
050	324668-1	CAM SHAFT		1		108,00	75,60	
051	331992-5	CLUTCH CAM		1		42,00	29,40	
052	219014-0	SWASH BEARING 10		1		366,00	256,20	
053	226632-7	HELICAL GEAR 25		1	*	58,00	40,60	
053-1	226985-4	HELICAL GEAR 25	S	1				
054	266273-7	HEX. SOCKET HEAD BOLT M4X12		2		5,00	3,50	
055	345179-3	BEARING RETAINER		1		4,00	2,80	
056	267234-0	FLAT WASHER 8		1	*	4,00		
057H	211032-4	BALL BEARING 608ZZ		1	*			
057I	211032-4	BALL BEARING 608ZZ		1	*			
057J	211032-4	BALL BEARING 608ZZ		1	*			
057M	211032-4	BALL BEARING 608ZZ		1	*			
057N	211032-4	BALL BEARING 608ZZ		1	*			
057O	211032-4	BALL BEARING 608ZZ		1	*			
057P	211032-4	BALL BEARING 608ZZ		1	*			
057-1H	210029-0	BALL BEARING 608ZZ	O	1		14,00	9,80	
057-1I	210029-0	BALL BEARING 608ZZ	O	1		14,00	9,80	
057-1J	210029-0	BALL BEARING 608ZZ	O	1		14,00	9,80	
057-1M	210029-0	BALL BEARING 608ZZ	O	1		14,00	9,80	
057-1N	210029-0	BALL BEARING 608ZZ	O	1		14,00	9,80	

Please order the parts with part number.

Print Date 27/11/2020

Model No.DHR202 CORDLESS COMBINATION HAMMER

Item	Parts No.	Description	I/C	Qty	New/Old	Sales	Purch.	Note
057-1O	210029-0	BALL BEARING 608ZZ	O	1		14,00	9,80	
057-1P	210029-0	BALL BEARING 608ZZ	O	1		14,00	9,80	
057-1Q	210029-0	BALL BEARING 608ZZ		1		14,00	9,80	
057-1R	210029-0	BALL BEARING 608ZZ		1		14,00	9,80	
058	324212-4	RING 8		1		36,00	25,20	
059	961011-9	STOP RING E-4		1		4,00	2,80	
060	941102-2	FLAT WASHER 5		1		4,00	2,80	
061	233342-9	COMPRESSION SPRING 6		1		4,00	2,80	
062	345363-0	CHANGE PLATE		1		5,00	3,50	
063	141574-3	INNER HOUSING COMPLETE		1		108,00		
065	213407-3	O RING 26		1		7,50	5,25	
066	213077-8	OIL SEAL 10		1		25,00		
067	210059-1	BALL BEARING 6000DDW		1		42,00		
068	267213-8	FLAT WASHER 10		1		5,00	3,50	
069	240092-9	FAN 64		1				
070	519226-8	ARMATURE ASS'Y 18V		1		227,00	158,90	
D10		INC. 67-69,71,72						
071	253823-7	FLAT WASHER 7		1		5,00		
072	210023-2	BALL BEARING 627DDW		1		25,00		
073	267816-8	WAVE WASHER 15		1		4,00		
074	815F22-1	DHR202 NAME PLATE		1				
075	188515-8	HOUSING SET		1		240,00	168,00	
D10		INC. 82						
076	638020-0	YOKE UNIT		1		253,00	177,10	
077	638977-5	BRUSH HOLDER COMPLETE		1		42,00	29,40	
079	266326-2	TAPPING SCREW 4X18		2		4,00	2,80	
080	911011-9	PAN HEAD SCREW M3X10		1				
081	689070-8	HEAT SINK		1		99.999,00		
082	188515-8	HOUSING SET		1		240,00	168,00	
D10		INC. 75						
083	424128-4	HOLDER CAP COVER		2		5,00	3,50	
084	643829-7	HOLDER CAP		2		5,00	3,50	
085	194435-6	CARBON BRUSH CB-441		1		50,00		
086	424111-1	SWITCH COVER		1		21,50	15,05	
087	450615-7	F/R CHANGE LEVER		1		14,00	9,80	
088	638882-6	SWITCH UNIT		1		253,00	177,10	
089	631792-6	LIGHT CIRCUIT		1		171,00	119,70	
090	266326-2	TAPPING SCREW 4X18		7		4,00	2,80	
091	644808-8	TERMINAL		1		39,00	27,30	
092	187212-3	BATTERYHOUSING SET		1		146,00	102,20	
C10	263005-3	RUBBER PIN 6		2		4,00	2,80	
D10		INC. 95						

Model No.DHR202 CORDLESS COMBINATION HAMMER

Item	Parts No.	Description	I/C	Qty	New/Old	Sales	Purch.	Note
093	263036-2	RUBBER PIN 5		1		7,50	5,25	
094	268184-2	PIN 1.5		1		4,00	2,80	
095	187212-3	BATTERYHOUSING SET		1		146,00	102,20	
C10	263005-3	RUBBER PIN 6		2		4,00	2,80	
D10		INC. 92						
096	266326-2	TAPPING SCREW 4X18		2		4,00	2,80	
097	424042-4	CUSHION RUBBER		1		13,00	9,10	
098	424476-1	CUSHION		1		4,00	2,80	
099	424042-4	CUSHION RUBBER		1		13,00	9,10	
100	123100-0	TOOL HOLDER ASS'Y		1		286,00	200,20	
D10		INC. 25-28,30,32-38						
A01	324219-0	DEPTH GAUGE		1		13,00		
A02I	194204-5	BATTERY BL1830 SET		2	*	1.416,00		
A02J	194204-5	BATTERY BL1830 SET		3	*	1.416,00		
A02M	194204-5	BATTERY BL1830 SET		2	*	1.416,00		
A02N	821551-8	CONNECTOR PLASTIC CASE (TYPE3)		1				
C10	453974-8	LATCH		4		18,00		
A02O	196399-0	BATTERY BL1840 SET		2	*	99.999,00		
A02P	821551-8	CONNECTOR PLASTIC CASE (TYPE3)		1				
C10	453974-8	LATCH		4		18,00		
A02Q	196671-0	BATTERY BL1850 SET		2	*			
A02-1I	194204-5	BATTERY BL1830 SET	O	2	*	1.416,00		
A02-1J	194204-5	BATTERY BL1830 SET	O	3	*	1.416,00		
A02-1M	194204-5	BATTERY BL1830 SET	O	2	*	1.416,00		
A02-1O	196399-0	BATTERY BL1840 SET	O	2	*	99.999,00		
A02-1Q	197280-8	BATTERY BL1850B SET	<	2	*			
A02-1R	196235-0	BATTERY BL1815N SET		2		1.036,00		
A02-2I	197600-6	BATTERY BL1830B SET	<	2	*			
A02-2J	197600-6	BATTERY BL1830B SET	<	3	*			
A02-2M	197600-6	BATTERY BL1830B SET	<	2	*			
A02-2O	197265-4	BATTERY BL1840B SET	<	2	*			
A02-2Q	197280-8	BATTERY BL1850B SET	O	2				
A02-3I	197600-6	BATTERY BL1830B SET	O	2				
A02-3J	197600-6	BATTERY BL1830B SET	O	3				
A02-3M	197600-6	BATTERY BL1830B SET	O	2				
A02-3O	197265-4	BATTERY BL1840B SET	O	2				
A03I	450128-8	BATTERY COVER		1		6,00		
A03J	450128-8	BATTERY COVER		2		6,00		
A03M	450128-8	BATTERY COVER		1		6,00		
A03N	837634-4	INNER TRAY		1				
A03O	450128-8	BATTERY COVER		1		6,00		

Model No.DHR202 CORDLESS COMBINATION HAMMER

Item	Parts No.	Description	I/C	Qty	New/Old	Sales	Purch.	Note
A03P	837634-4	INNER TRAY		1				
A03Q	450128-8	BATTERY COVER		1		6,00		
A03R	450128-8	BATTERY COVER		1		6,00		
A04I	***DC18RC	DC18RC FAST CHARGER		1				
A04J	***DC18RC	DC18RC FAST CHARGER		1				
A04M	***DC18RC	DC18RC FAST CHARGER		1				
A04N	802W03-6	DHR202ZJ INDICATION LABEL		1				
A04O	***DC18RC	DC18RC FAST CHARGER		1				
A04P	803X48-3	DHR202YJ INDICATION LABEL		1	*			
A04Q	***DC18RC	DC18RC FAST CHARGER		1				
A04R	***DC18SD	DC18SD BATTERY CHARGER		1				
A04-1P	805U28-7	DHR202Y1J INDICATION LABEL	<	1				
A05I	141642-2	PLASTIC CASE COMPLETE		1				
C10	163455-1	LATCH		2		16,00	11,20	
A05J	141642-2	PLASTIC CASE COMPLETE		1				
C10	163455-1	LATCH		2		16,00	11,20	
A05M	821551-8	CONNECTOR PLASTIC CASE (TYPE3)		1				
C10	453974-8	LATCH		4		18,00		
A05N	802W05-2	DHR202ZJ PLASTIC CASE LABEL		2				
A05O	821551-8	CONNECTOR PLASTIC CASE (TYPE3)		1				
C10	453974-8	LATCH		4		18,00		
A05P	803X49-1	DHR202YJ PLASTIC CASE LABEL		2	*			
A05Q	821551-8	CONNECTOR PLASTIC CASE (TYPE3)		1				
C10	453974-8	LATCH		4		18,00		
A05R	141642-2	PLASTIC CASE COMPLETE		1				
C10	163455-1	LATCH		2		16,00	11,20	
A05-1P	805U29-5	DHR202Y1J PLASTIC CASE LABEL	<	2				
A06M	837634-4	INNER TRAY		1				
A06O	837634-4	INNER TRAY		1				
A06P	196235-0	BATTERY BL1815N SET		1	*	1.036,00		
A06Q	837634-4	INNER TRAY		1				
A06-1P	196235-0	BATTERY BL1815N SET	O	1		1.036,00		
A07M	802W02-8	DHR202RFJ INDICATION LABEL		1				
A07O	802W00-2	DHR202RMJ INDICATION LABEL		1				
A07Q	806F83-2	DHR202RTJ INDICATION LABEL		1				
A08M	802W04-4	DHR202RFJ PLASTIC CASE LABEL		2				
A08O	802W01-0	DHR202RMJ PLASTIC CASE LABEL		2				

Model No.DHR202 CORDLESS COMBINATION HAMMER

Item	Parts No.	Description	I/C	Qty	New/Old	Sales	Purch.	Note
A08Q	806F84-0	DHR202RTJ PLASTIC CASE LABEL		2				
B01	195193-7	HAMMER SERVICE KIT SET		1				
C10	195127-0	OIL VESSEL SET		1				
D10		INC. 1,29,35,37,38,40,85						

Please order the parts with part number.

Print Date 27/11/2020