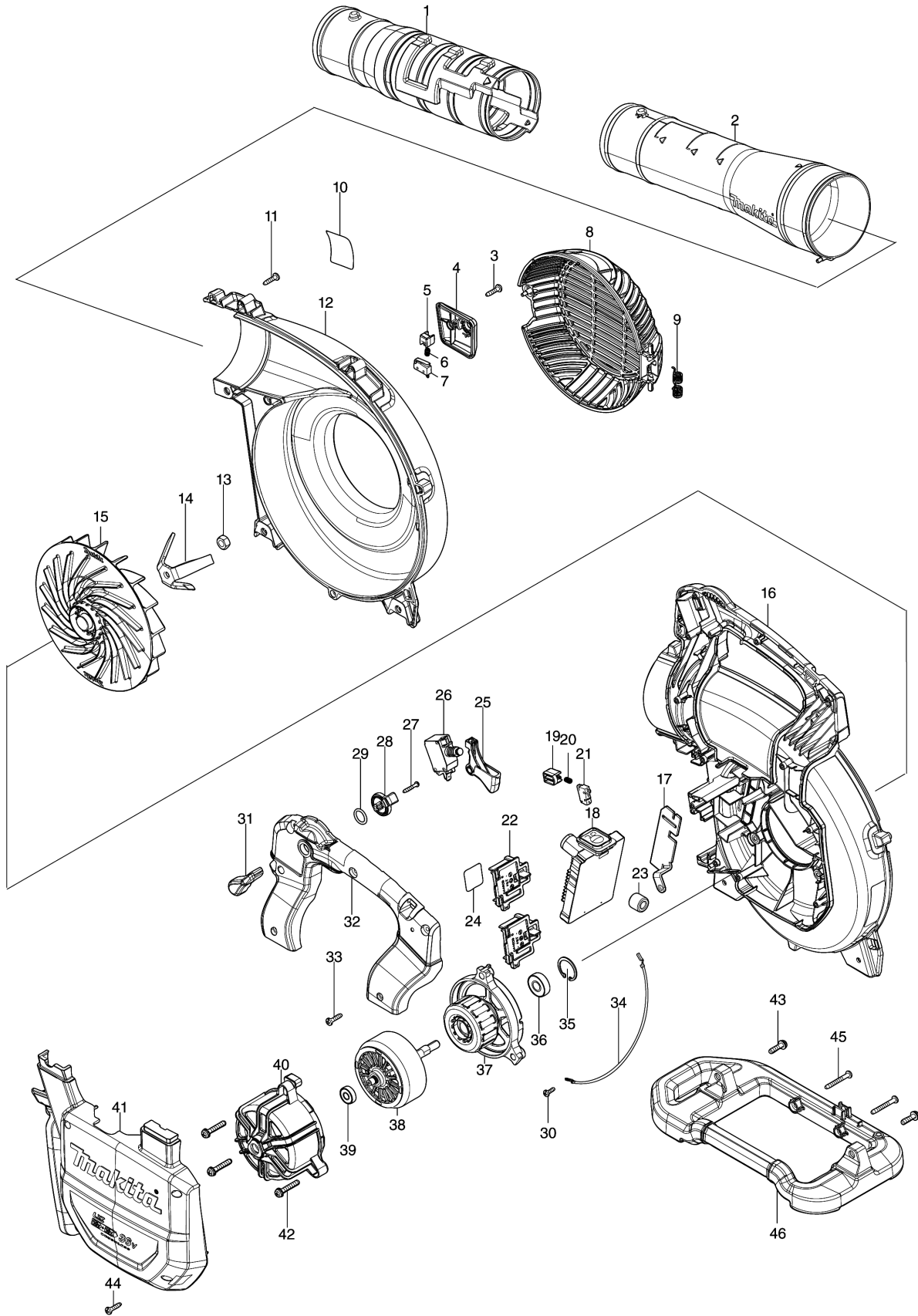
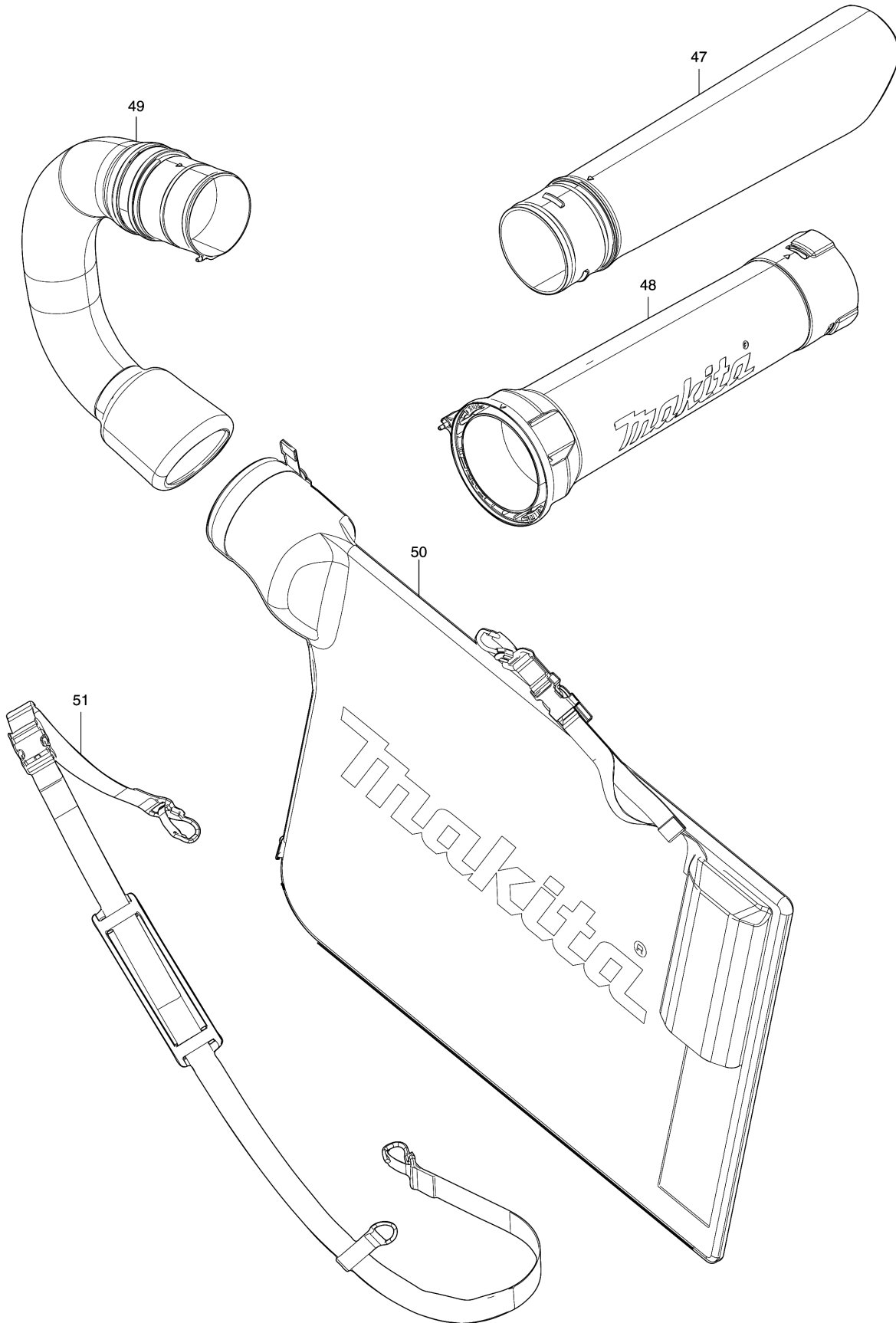


Model No.DUB363 CORDLESS BLOWER



Model No.DUB363 CORDLESS BLOWER



Model No.DUB363 CORDLESS BLOWER

Item	Parts No.	Description	I/C	Qty	New/Old	Opt. 1	Opt. 2	Note
001	459798-0	END NOZZLE 72		1				
002	127501-4	PIPE 90-72 ASSEMBLY		1				
C10	265A67-3	H.S.H.SHOULDER BOLT M5X38		1				
003	266326-2	TAPPING SCREW 4X18		1				
004	459790-6	SWITCH COVER		1				
005	459793-0	PUSHER A		1				
006	233118-4	COMPRESSION SPRING 4		1				
007	632L94-5	SWITCH UNIT		1				
008	127424-6	FAN COVER ASSEMBLY		1				
C10	265A66-5	H.S.H.SHOULDER BOLT M5X32		1				
009	232600-0	TORSION SPRING 8		1				
010	856S45-8	DUB363 NAME PLATE		1				
011	266326-2	TAPPING SCREW 4X18		6				
012	459784-1	VOLUTE CASE R		1				
013	252154-1	HEX. NUT M8-13		1				
014	347570-1	SHREDDER		1				
015	240204-4	FAN 180		1				
016	140S59-0	VOLUTE CASE L COMPLETE		1				
C10	8011Y4-4	CAUTION LABEL		1				
017	347718-5	EARTH PLATE		1				
018	140S58-2	CONTROLLER COMPLETE		1				
C10	8007N9-0	SWITCH LABEL		1				
019	459794-8	PUSHER B		1				
020	233118-4	COMPRESSION SPRING 4		1				
021	632L94-5	SWITCH UNIT		1				
022	644809-6	TERMINAL		2				
023	688163-8	LINE FILTER		1				
024	856S53-9	DUB363 SERIAL NO. LABEL		1				
025	459791-4	SWITCH LEVER		1				
026	651438-8	SWITCH C3JW-6B-PAN		1				
027	266127-8	+ TAPPING SCREW PT 3X20		1				
028	459698-4	LINK		1				
029	213154-6	O RING 14		1				
030	652008-6	PAN HEAD SCREW M3.5X7		1				
031	459792-2	CONTROL LEVER		1				
032	459788-3	GRIP L		1				
033	266326-2	TAPPING SCREW 4X18		6				
034	632P80-0	LEAD UNIT		1				
035	962105-3	RETAINING RING R-26		1				
036	210059-1	BALL BEARING 6000DDW		1				
037	629473-4	STATOR COMPLETE		1				
038	619609-3	ROTOR		1				

Please order the parts with part number.

Print Date 27/3/2020

Model No.DUB363 CORDLESS BLOWER

Item	Parts No.	Description	I/C	Qty	New/Old	Opt. 1	Opt. 2	Note
039	210017-7	BALL BEARING 607DDW		1				
040	459789-1	MOTOR HOUSING		1				
041	140N74-4	MOTOR COVER COMPLETE		1				
C10	263005-3	RUBBER PIN 6		4				
042	911253-5	PAN HEAD SCREW M5X30		3				
043	911233-1	PAN HEAD SCREW M5X20		2				
044	266326-2	TAPPING SCREW 4X18		7				
045	266351-3	TAPPING SCREW 4X35		2				
046	459787-5	SUB HANDLE		1				
047	459800-9	VACUUM PIPE B		1				
048	127425-4	VACUUM PIPE A ASSEMBLY		1				
C10	265A66-5	H.S.H.SHOULDER BOLT M5X32		1				
049	127502-2	BENT PIPE 90 ASSMBLY		1				
C10	265A67-3	H.S.H.SHOULDER BOLT M5X38		1				
050	162697-4	DUST BAG		1				
051	162698-2	BAND 30 COMPLETE		1				
A01	783202-0	HEX. WRENCH 4		1				
A03B	***DC18RD	DC18RD TWO PORT FAST CHARGER		1				
D10		COMPO-PARTS						
A04B	197422-4	BATTERY BL1860B SET		2				
A05	456958-5	FLAT NOZZLE		1				
A07B	450128-8	BATTERY COVER		2				
E01	807950-8	SOUND 95DB LABEL		1				

Please order the parts with part number.

Print Date 27/3/2020