

## Toilet seat O.novo Vita

**Model** — 9M7261 O.novo Vita toilet seat with hygienic grip rim on the cover, adjustable seat ring buffers and Antibac feature, incl. 9218 91 61 hinge

**Product Description** — O.novo Vita toilet seat in Wrap Over design made of colour ingrained duroplast

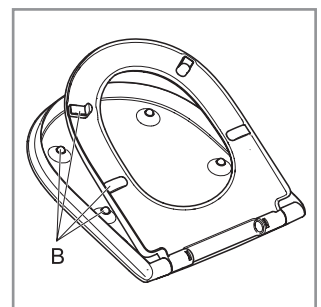
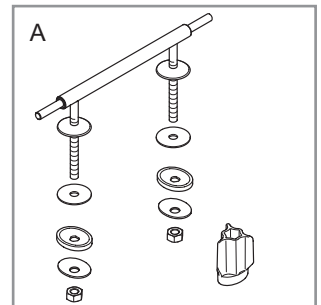
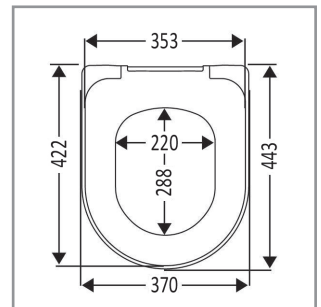
- incl. hinge with continuous hinge shaft in stainless steel and nylon
- centre distance: 155 mm
- load of ring seat: 240 kg
- 10 years guarantee

**Colour Programme** — T1 White, antibac  
P1 Blue, antibac

**Hinge Finish** — 61 Stainless steel

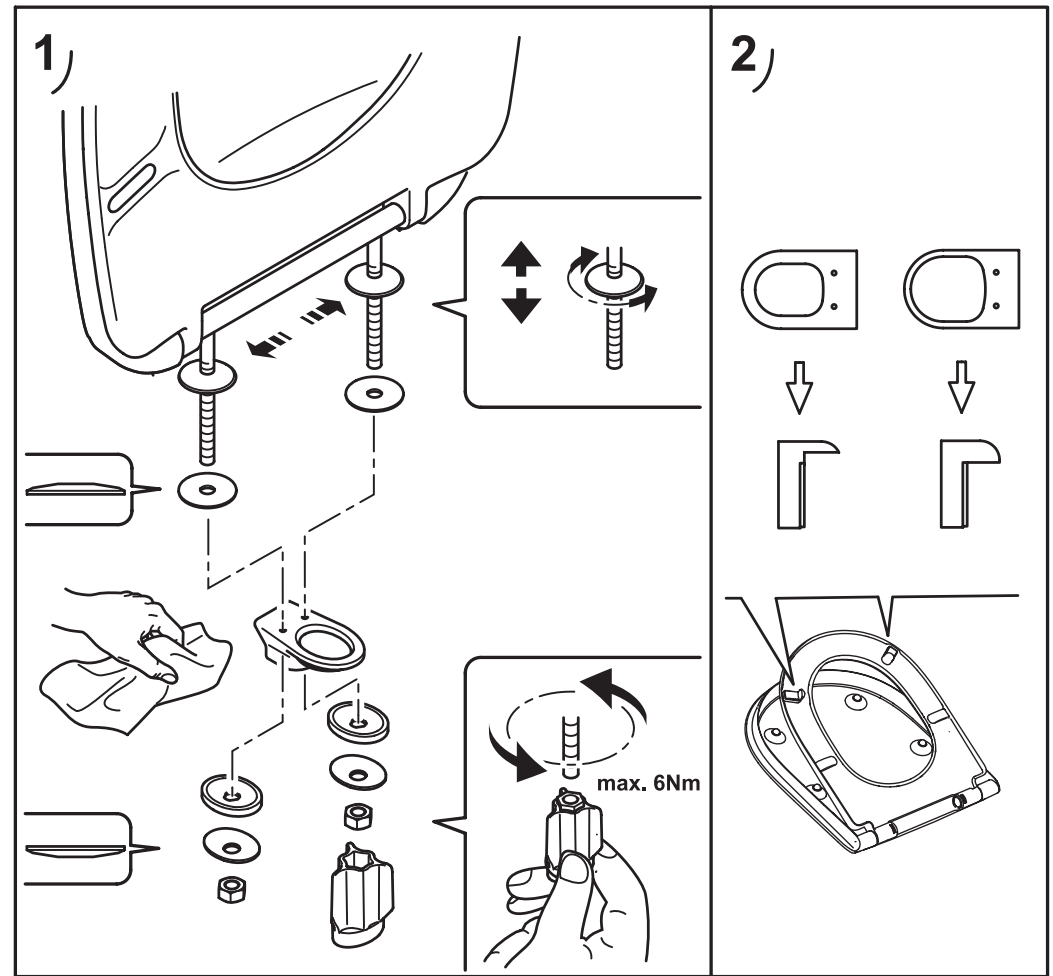
**Spare Parts** — A) 9218 91 61 Hinge with continuous hinge shaft in stainless steel and nylon  
B) 9218 80 00 Buffer for seat and cover

**Cleaning Instructions** — Use a mild soap solution. Seat and hinges should not be left damp, but be dried with a soft cloth. When using abrasive, corrosive or chlorine based cleaners for the bowl, avoid contact with seat and hinges as it may lead to damages or flash rust. Therefore, when cleaning the bowl, make sure that seat and cover are in an upright position until all the cleaner has been flushed away.



# Toilet seat O.novo Vita

## Installation Instructions



## Material Description

**TOILET SEAT:** The material is colour ingrained duroplast (UF A 10 = urea formaldehyde) that contains no environmentally hazardous substances. UF plastic comprises 67% urea formaldehyde resin, 28% cellulose, as well as 5% minerals, pigments, lubricants and moisture content. The raw material from the supplier contains < 0.03% free formaldehyde and even less following curing. The closed-porous surface with Antibac version (Biocide Regulation (EU) no. 528/2012) provides the best basis for optimum hygiene.

**BUFFERS:** PE (Polyethylene)

**HINGES:** Stainless steel and nylon

## Guarantee

The guarantee includes faults or defects in the material of our products within a period of 10 years. Products subject to minor technical modifications and design deviations E. & O.E.