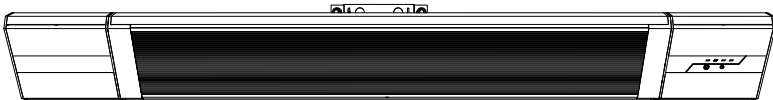
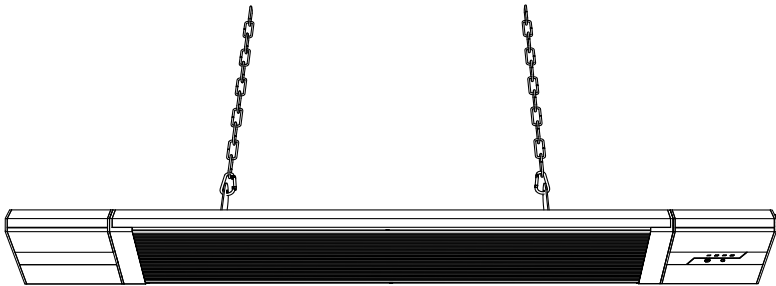




Instruction Manual
THERMEX BLACK SUN
Model: 120. 21. 2000. 2



**Please read these instructions carefully before using your
new heater**

Unpack the heater to make sure that all the items are present and that there are no components left in the box and that the heater head is free from any packing material.

Using the detailed drawing follow the steps to assemble your heater.

Do not connect the heater to the electrical supply until all the assembly is complete.

Do not connect the heater to the electrical supply if any of the components or the power cord is damaged in any way. If in doubt contact your supplier.

This appliance can be used by children aged from 8 years and above and persons with reduced physical, sensory or mental capabilities or lack of experience and knowledge if they have been given supervision or instruction concerning use of the appliance in a safe way and understand the hazards involved. Children shall not play with the appliance. Cleaning and user maintenance shall not be made by children without supervision.

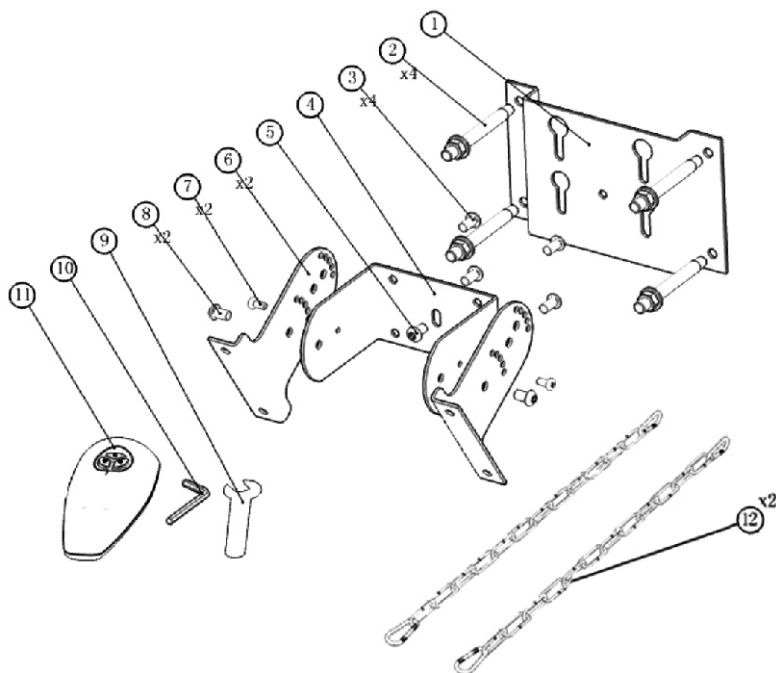
The instruction manual shall provide adequate instructions for connection to the supply ensuring an equivalent protection!

WARNING: This heater is not equipped with a device to control the room temperature. Do not use this heater in small rooms

when they are occupied by persons not capable of leaving the room on their own, unless constant supervision is provided. Children of less than 3 years should be kept away unless continuously supervised.

Children aged from 3 years and less than 8 years shall only switch on/off the appliance provided that it has been placed or installed in its intended normal operating position and they have been given supervision or instruction concerning use of the appliance in a safe way and understand the hazards involved. Children aged from 3 years and less than 8 years shall not plug in, regulate and clean the appliance or perform user maintenance.

Accessories



REF	Name	Qty	REF.	Name	Qty
.					
1	Part 1	1	7	screws M4*8	2
2	Explosive bolt M6*50	4	8	screws M6*10	2
3	screws M6*10	4	9	M6 spanner	1
4	Part 2	1	10	'L' hexagonal wrench	1
5	Security screw M6*10	1	11	Remote control	1
6	part 3	2	12	chain	2

Connection to 220-240 Volts Power Supply

- It is important to ensure that the electricity supply is of adequate capacity for the electrical load required by the appliance being installed.
- These appliances must be earthed.

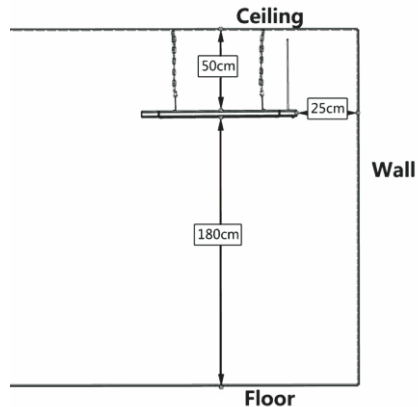
Installation

Heater ZHQ1899-CW is built with the best quality components in accordance to the prevailing legal regulations and certified for safety in use. For best results from the appliance please ensure that the installation is done by a qualified electrician in accordance with the following instructions and taking full account of current regulations. When using the heater, please carefully follow the instructions and recommendations below.

- You could change the position of the M4*8 screws 7 and the

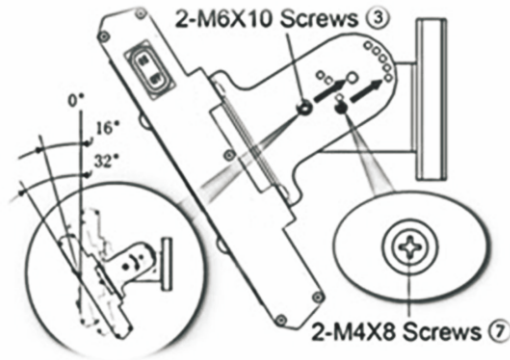
Installation to Ceiling

- Minimum required distances:
 - d) 250mm from the side wall
 - e) Minimum 500mm from the ceiling
(range: 500mm - 750mm)
 - f) Installation height above 1.8M



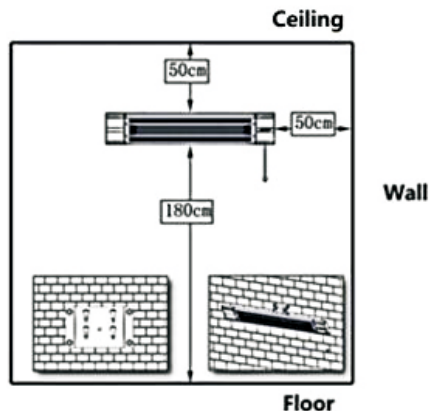
- The heater must be fixed to a wall with the bracket supplied to allow adequate ventilation.
 - Never fix or place heater near flammable or combustible materials.
 - Generally heaters must be placed at a safe distance (clear space) of at least 2.0m from combustible materials and glass walls. If installed in workshops or garages where inflammable or combustible paints are used, the heaters must be installed at a distance of at least 4.0m from the source of danger.
 - If the heaters are placed in areas where spray painting of any description is taking place, they should not be used during the painting operations.
- Never use the heater in particularly dusty and explosive areas.

M6*10 screws for the best Angle of heating. We have 6 positions for your choice. (near:0°, 16°, 32°; far: 0°, 16°, 32°)



Installation to Wall

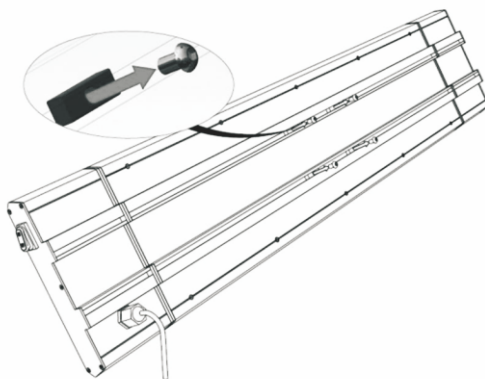
- When fixing the heater to a wall, ensure hinges are in the underside so that the lid hands down in the open position.
- Minimum required distances:
 - a) 500mm from the side wall
 - b) 500 mm from the ceiling
 - c) Installation height above 1.8M



Assembling Process for wall mounted

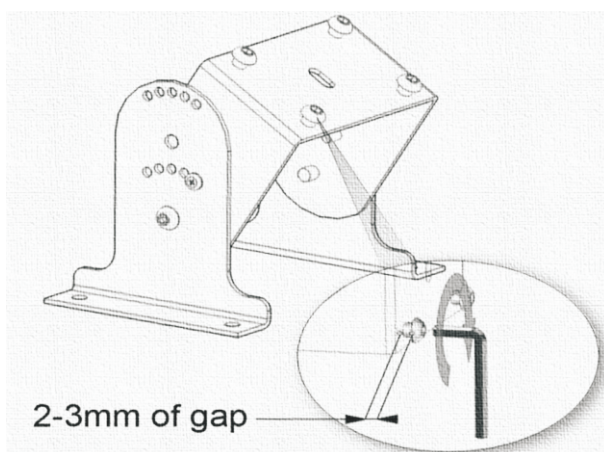
Preparation stage:

Please remove the four M6*10 Screws on the heater, and use them for the Step 2.



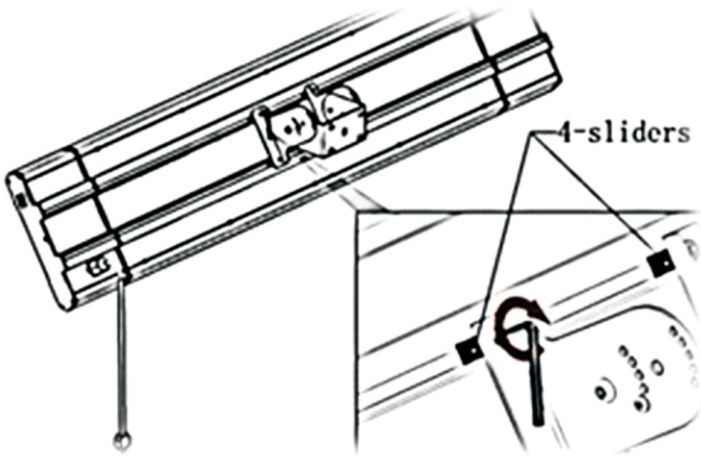
Step1: Assemble the bracket. (③,⑥,⑦,⑧)

Do not tighten the four M6*10 screws ③, reserve 2-3mm of gap for step 4.

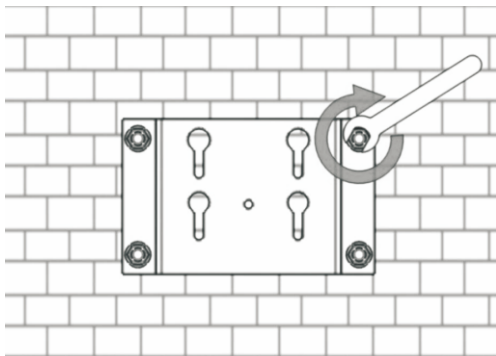


Step 2: Install the bracket on the back of the heater.

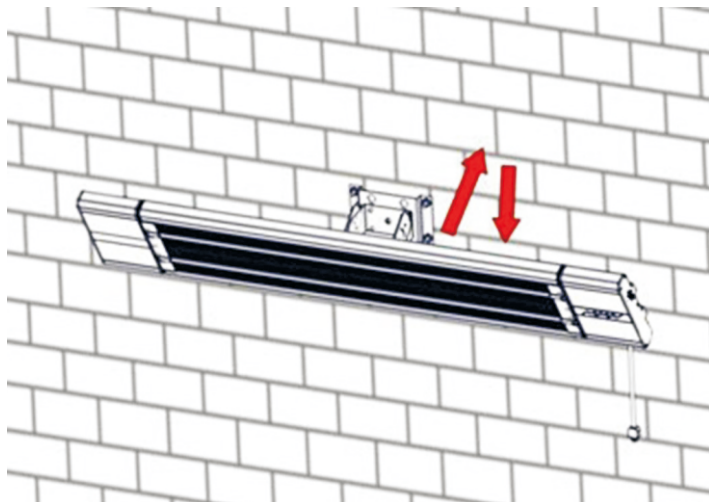
Adjust the four sliders which inside the track to the middle of the heater .Fix the bracket which you have assemble in the step 1 with four M6*10 screws ③ , tighten them with ‘L ‘hexagonal wrench⑩ 。



Step 3: Fix the part 1 ① on the wall, tighten the four nuts (a part of explosive bolt M6*50) ② with M6 spanner ⑨

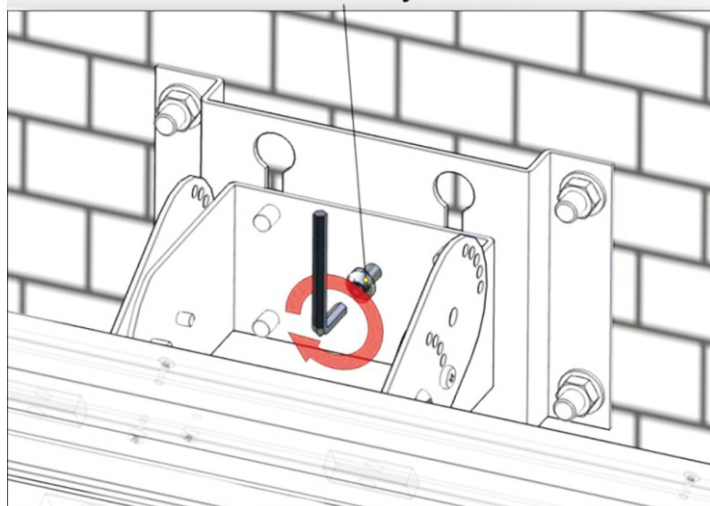


Step 4: Put the heater on the wall, slide it into the part 1 ①.

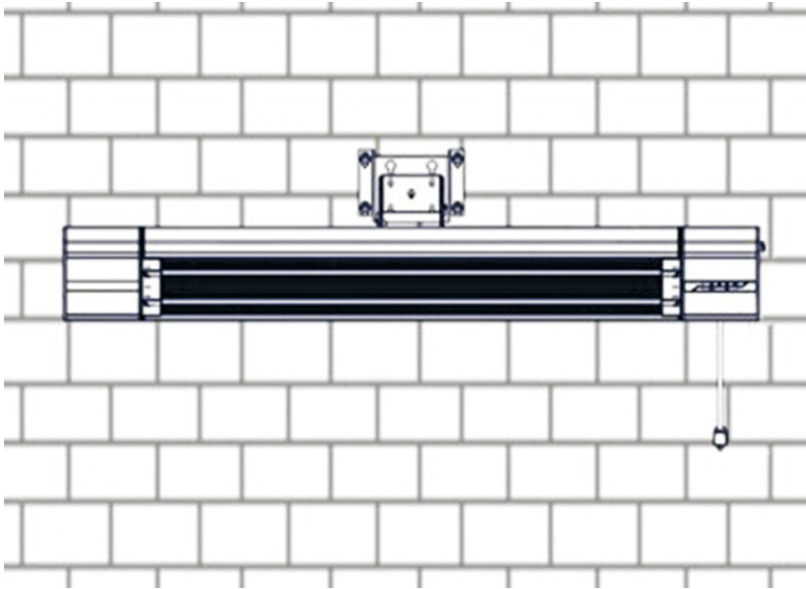


Step 5: Please tighten the M6*10 security screw ⑤ to avoid accidents

M6X10 Security Screw



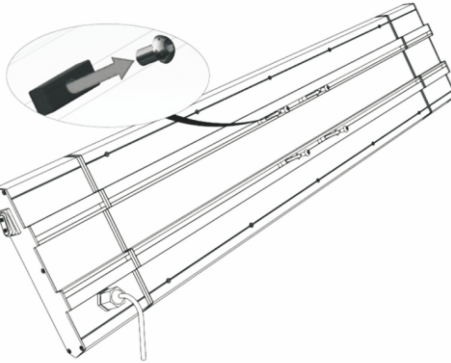
Complete!



Assembling Process for ceiling type

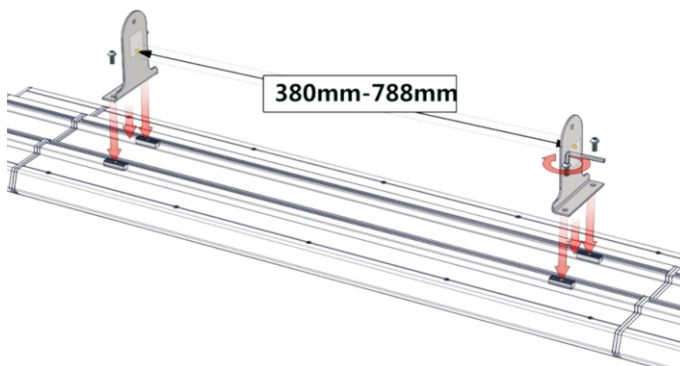
Preparation stage:

Please remove the four M6*10 Screws on the heater, and use them for the **step1**.



Step1:

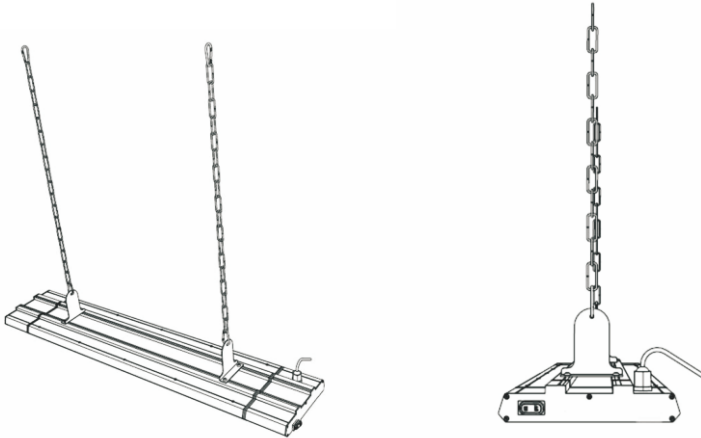
Adjust the four sliders which inside the track. The distance between the sliders should be between 600 mm to 788 mm. Fix the Brackets⑥ with four M6*18 screws, tighten them with 'L' hexagonal wrench.



Step2:

Let the carabineer at the end of the chains ⑫ through the holes of the Brackets .The length adjustment range of two Chains ⑫ are between 500mm-750mm.

Complete!



Caution

Some parts of this product can become very hot and cause burns. Particular attention has to be given where children and vulnerable people are present.

1. Mount the heater outside or in a large open area and well away from any obstructions such as branches or where the heater is near any objects that can be affected by heat, such as furniture, curtains or other inflammable objects (minimum distance 1 meter).
2. Do not position immediately above or below an electrical socket.

3. The unit must be placed with the clearance of 180cm to the floor and 30cm to the ceiling.
4. When the power supply cord is damaged, it must be replaced by authorized agent or other professional people to avoid danger.
5. This appliance is not intended for use by persons (including children) with reduced physical. Sensory or mental capabilities, or lack of experience and knowledge, unless they have been given supervision or instruction concerning use of the appliance by a person responsible for their safety.
6. Children should be supervised to ensure that they do not play with the appliance.
7. Do not use it near bath tubs, wash areas or swimming pools.
8. Do not use it in unventilated areas
9. Do not use where gas, petrol, paint or other inflammable goods are stored.
10. Do not move when connected to an electrical supply and always wait until the patio heater cool down before storing away.
11. Do not touch the heater head when in use.
12. Do not leave after turn it on and unattended especially when children or animals are in the vicinity.
13. The indication of different positions of switches should be visible from a distance of 1M at least.
14. The Marking concerning covering shall be visible after the heater has been installed. It shall not be placed on the back of heaters.
15. The heater must be correctly installed according to the instructions.
16. The heater must be securely placed on a horizontal and

flat Wall surface.

17. The heater will be at high temperature when in use. It keeps hot for a period after shut down. Potential danger would occur when you touch it during this period.
18. Don't place the heater closed to curtain or other flammable objects. Otherwise there will be a danger of catching fire.
19. Don't cover the heater with anything when in use or a short time after it is shut down.
20. Don't wrap the power supply cord on the heater.
21. The heater must be handled with care, and avoid vibration or hitting.
22. The heater must be securely grounded when in use.
23. If the heater gets damaged, it must be repaired by professional electricians.
24. When assembling, keep away from any board or flammable material.
25. The heater must be supervised by adults when it is used by a child.
26. It is not safe to install the heater near a swimming pool, in a bathroom or shower area.
27. The heater is for household use only. It is not safe to use on a building site, greenhouse, barn or stable where there's flammable dust.
28. The heater is at high temperature when in use. Unplug the heater and wait until it cools down before cleaning.
29. Don't use this heater in place where causticity or volatile air exists, such as dust, steam, gas, etc.
30. Don't use this heater as a cloth drier or towel drier.
31. Don't use this heater as a sauna heater.
32. Don't use this heater in place of animal propagating and raising.
33. The heater should be plugged in a socket, which is easily

visible and reachable.

34. Do not use this heater in the immediate surroundings of a bath, a shower or a swimming pool.
35. Do not use this heater with a programmer, timer, separate remote-control system or any other device that switches the heater on automatically, since a fire risk exist if the heater is covered or positioned incorrectly.
36. Place the heater outside or in a large open area and well away from any obstructions such as branches or where the heater is close to any objects that can be affected by heat, such as furniture, curtains or other inflammable objects (minimum distance 1 meter).
37. The instruction manual shall provide adequate instructions for connection to the supply ensuring an equivalent protection!
38. If the supply cord is damaged, it must be replaced by the manufacturer, its service agent or similarly qualified persons in order to avoid a hazard.

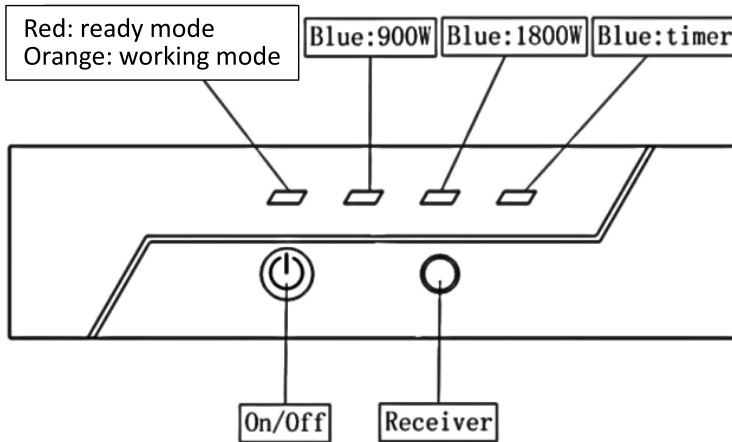
Operation

Connect the power cable to a 13 amp supply which is located in a safe, dry area.

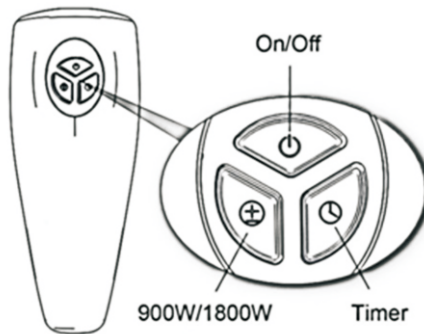
- The switch on the heater is used to control the Heater. When the position mean on the **【ON】** , the first indicator light will be turn red, the heater will be in standby mode. The **【OFF】** position will turn off the Heater.



- The panel control:



- The remote control:



- Although the patio heater is waterproof, do not use when raining or in wet conditions.
- Never connect the power cable from the electrical supply, when the patio heater is not in use.

Care and maintenance

- When disconnected from the electrical supply, clean the surface of the patio heater with a damp cloth. Never use corrosive or solvent cleaners or immerse in water.
- Any maintenance or repairs including replacing the halogen tube should only be carried out by a qualified electrician or by a recommended service center.

Technical specification

- Power supply 220V~240V 50Hz
- Wattage max 1800W
- Net weight 5.5 kg
- Insulation class I
- Width: 15 cm; Length: 116cm

