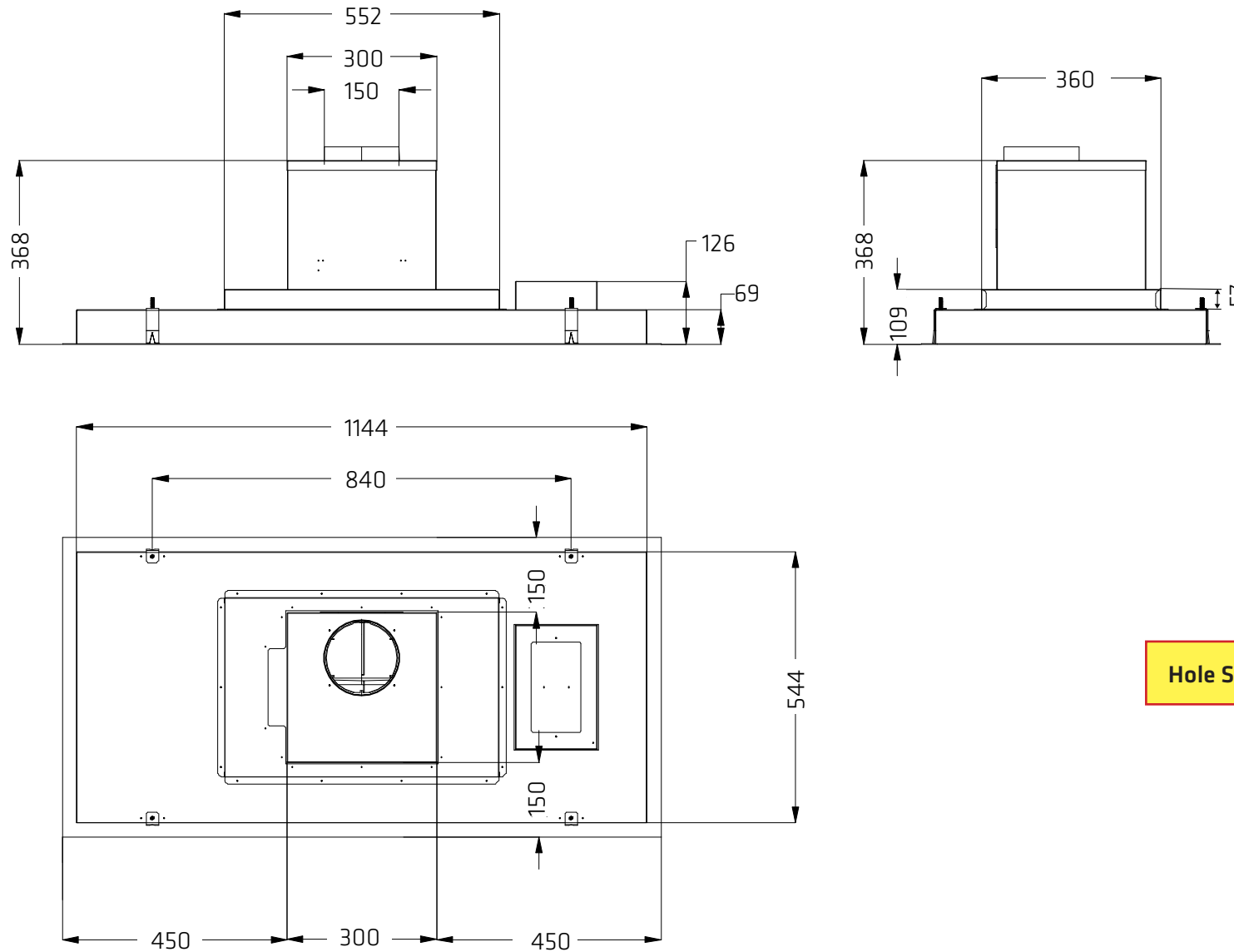


Metz Maxi II Strip



Internal motor



Hole Size: D565 x W1165 mm