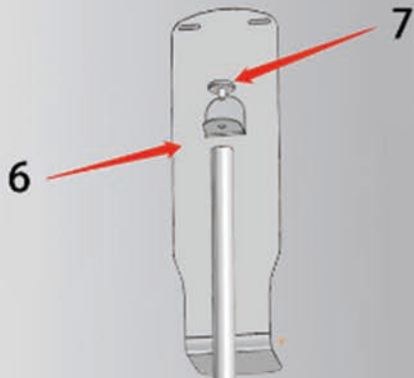
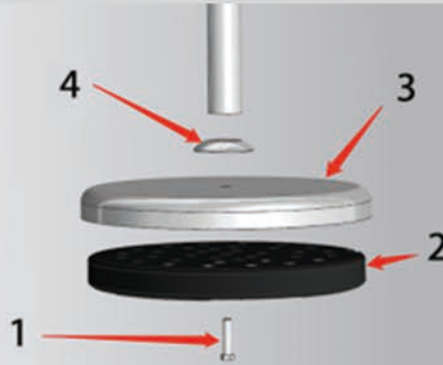


USING INSTRUCTIONS

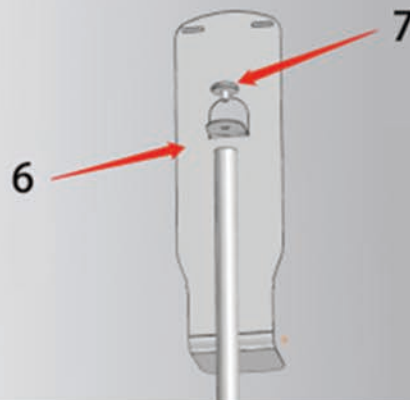
The first step: open the box and tear off the protective films from 3 and 6 parts as shown in the figure.



The second step: Unscrew the screw 1 from the bottom of the base, assemble parts 1, 2, 3, 4 and 5 in sequence according to the figure, and fix them.



The 3rd step: Unscrew screw 7 from the back plate, then use it to connect part 6 and 5 as shown in the figure, and tighten the screw.



The 4th step: Turn the 5 knobs to adjust the height.

