

REV:	DESCRIPTION:	DATE:	BY:

PART	PRODUCT:	Information	
Multibit Oy		DESCRIPTION: 134100 Socket assembly, main dimensions	Mass: Kg
Scale 1.000	General tolerances	DESIGNER: HaPu DATE: 2011125 LOCATION:	APPROVED: APPR. DATE: REPLACES:
SHEET: 1/2			Mat. class: Material: Surf finish: Treatment: Color:
DRAWING: 134100_VISUAL		CAD MODEL: 143100	

200

201

202

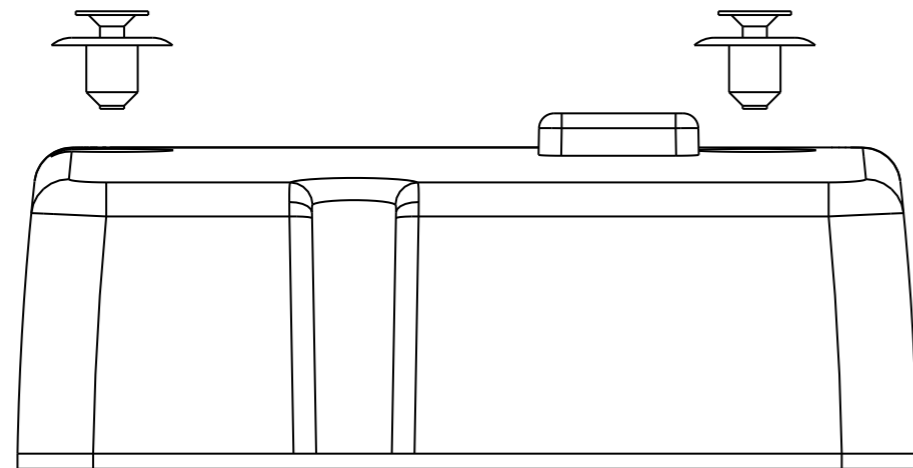
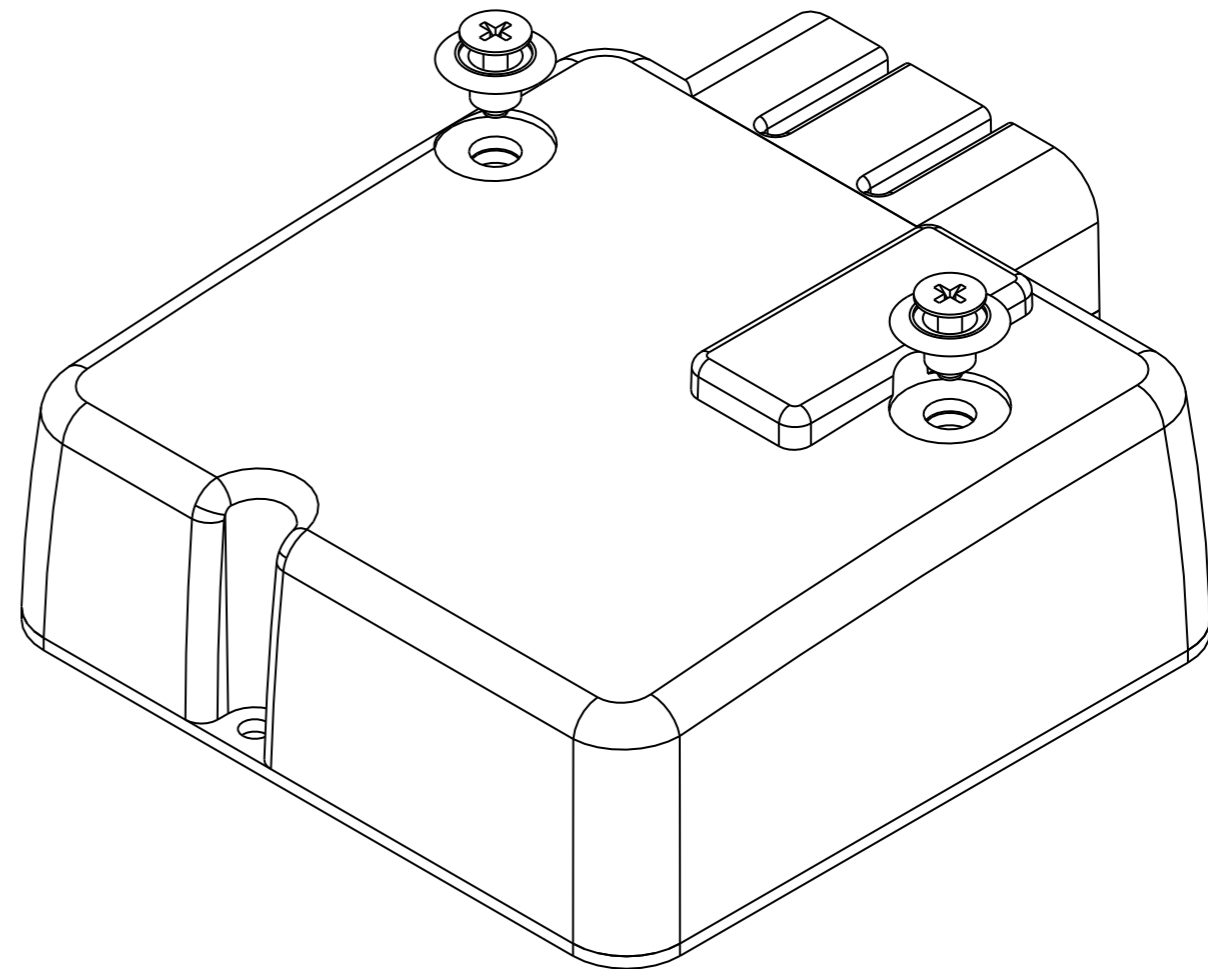
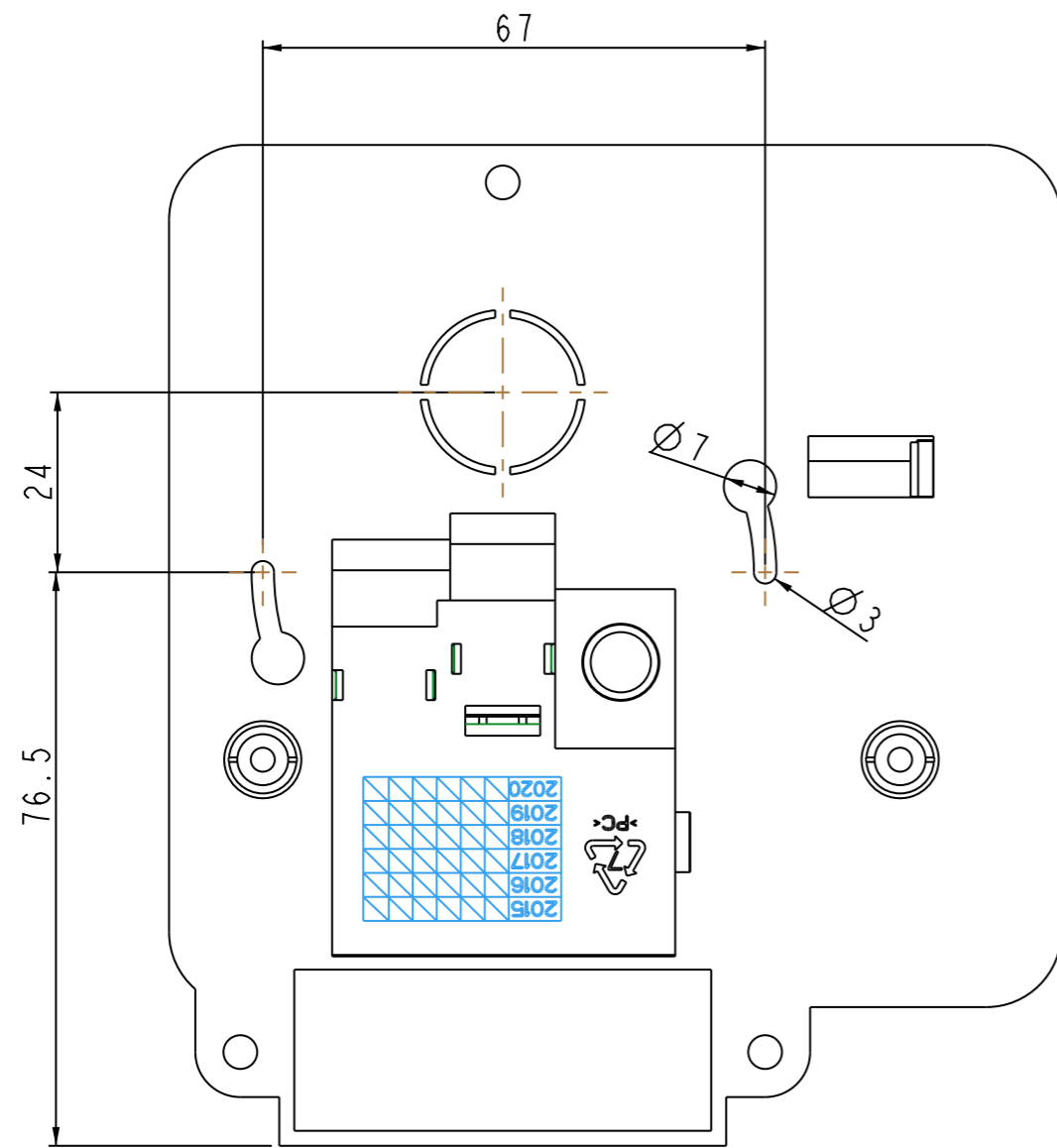
203

204

205

206

207



PART		PRODUCT:		Information	
Multibit Oy		DESCRIPTION: 134100		Mass: Kg	
		Socket assembly, main dimensions		Mat. class:	
Scale		General tolerances		DESIGNER HaPu	
1.000				APPROVED:	
SHEET: 2/2		DATE 20141125		APPR. DATE:	
REV:		LOCATION		REPLACES:	
DESCRIPTION:		DRAWING 134100_VISUAL		CAD MODEL: 143100	
DATE:				Surf finish:	
BY:				Treatment:	
				Color:	

A

B

C

D

E