

## Data Sheet EKO50093

<b>Product:</b>	DSO with 2x USB C PD charger
<b>E-number NO:</b>	66 300 75
<b>E-number SV:</b>	18 401 09
<b>E-number FI:</b>	25 043 30
<b>EAN:</b>	7020160500939
<b>Packing:</b>	1
<b>Color:</b>	Pure white

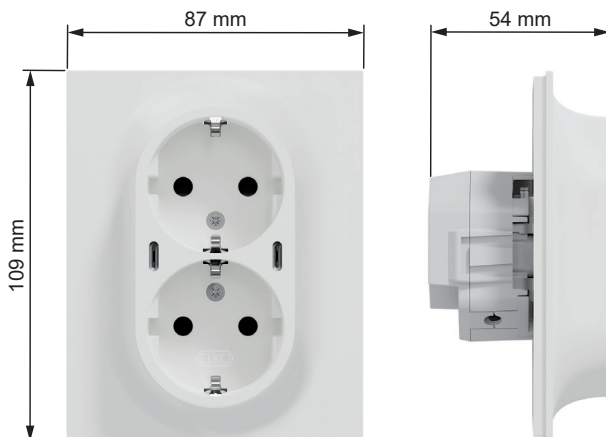


**Product description:** ELKO One USB charger + socket by ELKO is a double socket outlet combined with USB C+C type Power Delivery outlet. This device is equipped with advanced charging technology USB-C Power Delivery Programmable Power Supply (PD PPS). It is provided with a double Schuko socket outlet for power connectivity. The built-in 2-port Type C 25W USB outlet provides extra power connectivity for mobile devices. The screw terminal provides a reliable solution for connecting wires. With a double socket outlet and two USB-C PD PPS fast charger. The USB PD PPS is better protected & smarter, enables optimal fast-charge to smartphones and other gadgets, better than the standard USB PD. Its Ue rated operational voltage is 250V AC at 50 Hz. The Schuko socket output current is 16A. The single USB-C maximum power output is 25W. The standby power is below 0.1W, efficiency is VI level. To be mounted in a 1 or 1.5 module flush cc 60 mm wall-box or in 1.5 module surface mounted Box for surface installation. The dimensions of the product are (W) 87mm x (H) 109mm x (D) 54mm. It is made of Thermoplastic. The color of the product is pure white (RAL 9003) with matt surface finish. It reaches IP21 degrees of protection.

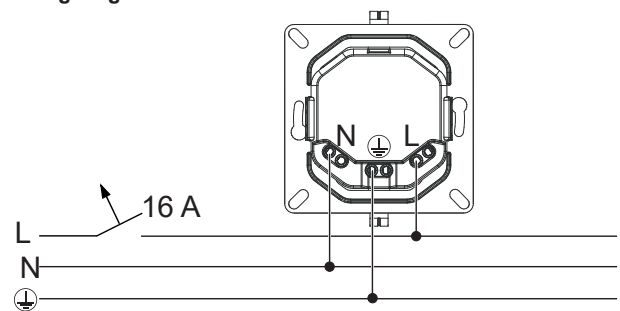
One range by ELKO is covering Wiring Devices, Stand Alone Electronics and Network Connectivity functions for both flush as well as surface installation. The One range has been developed with sustainability in mind, using recycled plastic and recycled packaging material. Modern and slim design with a smooth matt surface finish that is reflecting the light in a glowing way due to it's shape.

**Technical specifications:** Nominal input voltage: 250 V AC, 50 Hz  
 Single Output USB C PD: 5.0 V=3.0 A; 9.0 V=2.8 A, max. 25.0 W  
 Single Output USB C PPS: 5.0-9.0 V=0.1-2.8 A, max. 25.0 W  
 Double Output USB C+C: 5.0 V=1.5 A, Max. 15.0 W is shared between two ports when both are in use  
 Charger protocol: PD 3.1 with PPS and further modes  
 Expected lifetime: 30 000 hours with output power 25.0 W by 25 °C  
 Overvoltage category: OVC III  
 Average active efficiency: ≥ 85.0 %  
 Efficiency at low load (10%): ≥ 70.0 %  
 No-load power consumption: ≤ 0.1 W

### Dimensions



### Wiring diagram



**⚠ DANGER**  
**HAZARD OF ELECTRIC SHOCK, EXPLOSION, OR ARC FLASH**  
 The product must be installed and connected by a qualified electrician.  
 A qualified electrician must demonstrate an in-depth knowledge of:  
 • Construction of electrical installations in buildings in accordance with IEC 60364  
 • Additional safety standards, local connection rules, and building regulations  
 • Standardized tools and measuring equipment  
**Failure to follow these instructions will result in death or serious injury.**