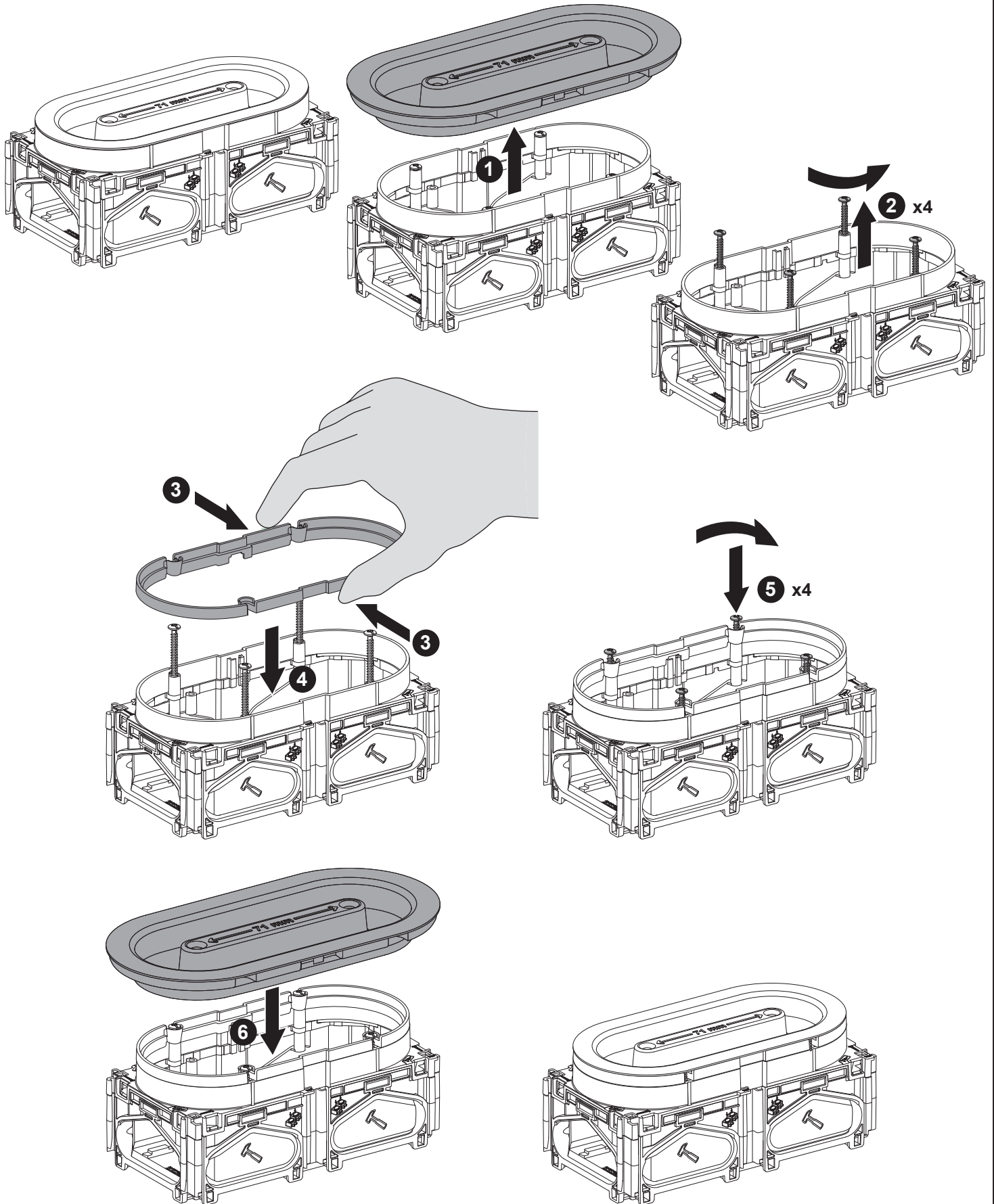




Flexi + 2M extension ring 6mm



NNZ5673800-00

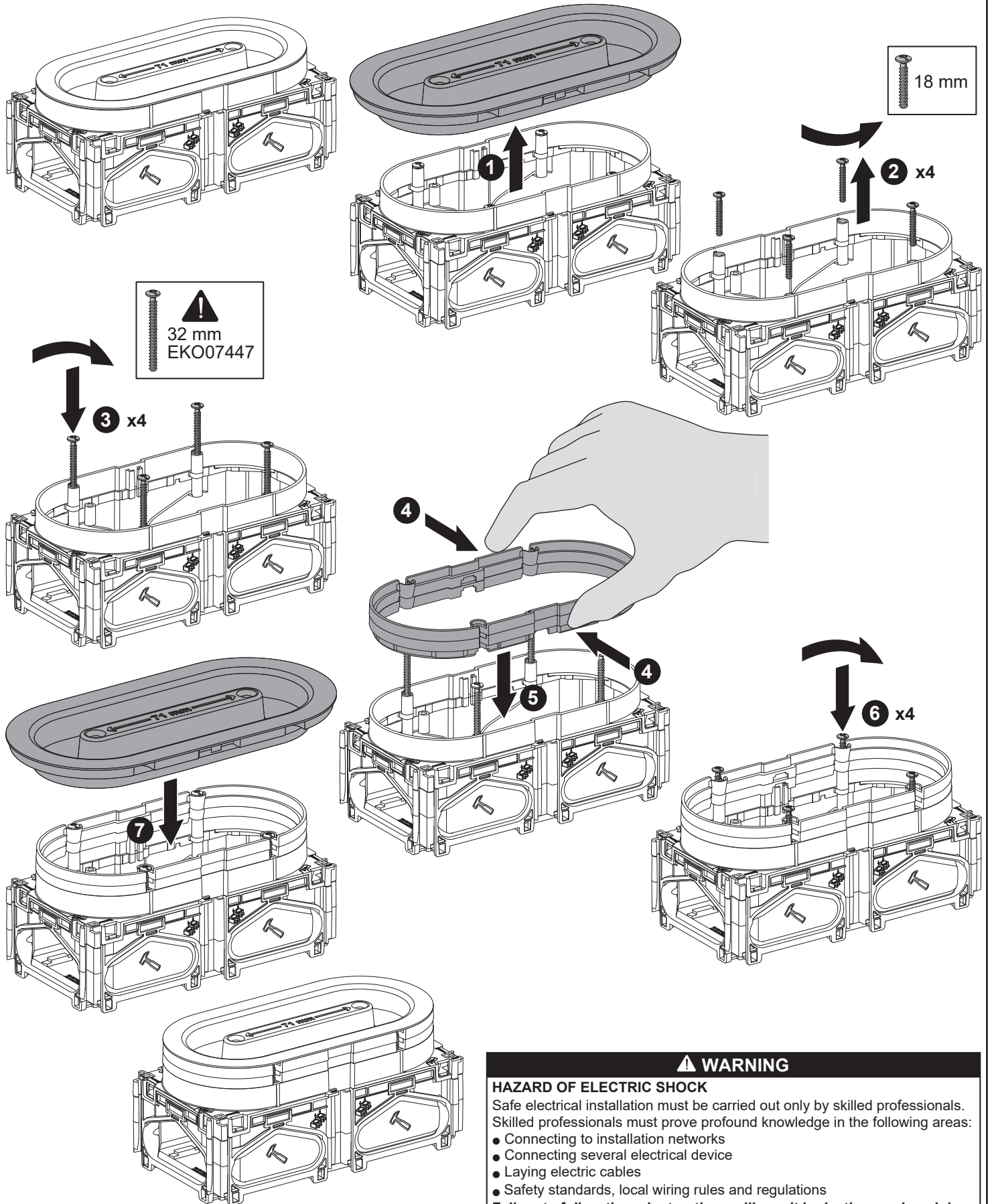
ELKO AB,
Box 5115,
121 17 Johanneshov
www.elko.se/kundsupport

ELKO AS,
Pb. 6598 Etterstad, 0607 Oslo
www.proff.elko.no/kontakt-oss





Flexi + 2M extension ring 6mm



⚠ WARNING

HAZARD OF ELECTRIC SHOCK

Safe electrical installation must be carried out only by skilled professionals. Skilled professionals must prove profound knowledge in the following areas:

- Connecting to installation networks
- Connecting several electrical device
- Laying electric cables
- Safety standards, local wiring rules and regulations

Failure to follow these instructions will result in death or serious injury.

NNZ5673800-00

ELKO AB,
Box 5115,
121 17 Johanneshov
www.elko.se/kundsupport

ELKO AS,
Pb. 6598 Etterstad, 0607 Oslo
www.proff.elko.no/kontakt-oss

