

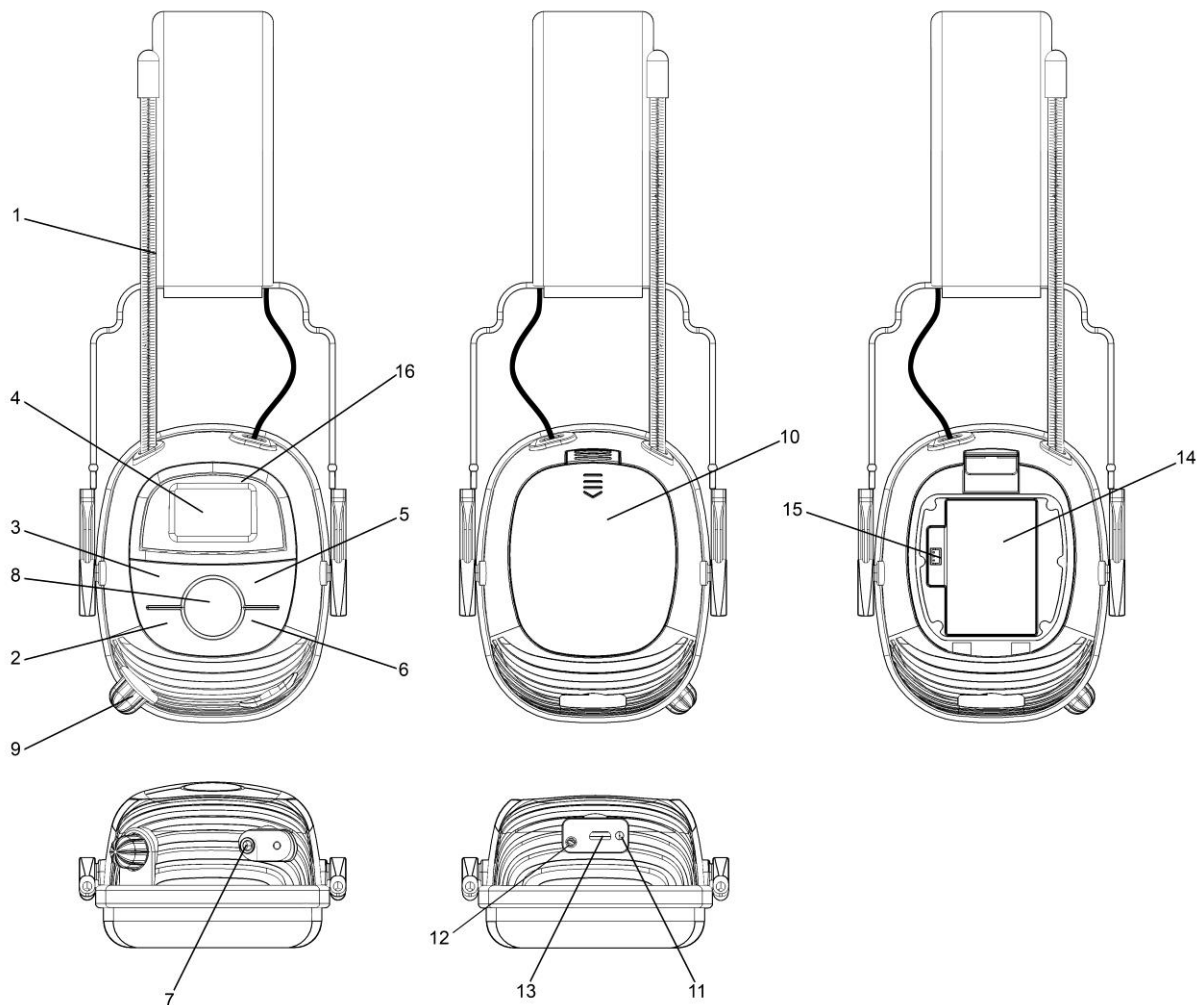
WOLF Headset PRO user manual

Model number: 100400

Product description: Hearing protection with DAB+, FM, Bluetooth & Aux-in

Controls/buttons

- (1) Antenna
- (2) Tune - (Down/previous song)
- (3) Tune + (Up/next song)
- (4) LCD screen
- (5) Menu (Menu/Info/Bluetooth)
- (6) Enter/Bass (Confirm/Bass on and off)
- (7) Aux in
- (8) Mode (DAB+/FM/Aux-in/Bluetooth)
- (9) Volume and Power On/Off
- (10) Battery cover
- (11) LED indicator (The red LED lamp will be lit when the battery is charging)
- (12) Microphone
- (13) Charge port
- (14) Battery chamber
- (15) Power connector
- (16) Battery status (shows battery percentage)



Battery installation

- Ensure that the On/Off Knob is switched off.
- Open the Battery Cover. Insert the tailor-made Lithium Battery into the Chamber and plug the battery cord into the Power Connector in the correct direction as shown in the figure to ensure that the power supply is connected. Close the battery cover.
- Battery 1st warning sound is heard when the battery power of the headset falls to 20%. Subsequent "DO" sound will be prompted in every 5th minute till the user re-charges the battery or all power is completely discharged.
- The manufacturer provides the tailor-made Lithium Battery. Other types of Lithium Batteries are not recommended.

DAB+ Operation

- Turn on the hearing protection by turning the Power On/Off Knob (which combines Volume Control) in clockwise direction and adjust the sound to your desired level.
- "Welcome to Digital Radio" is shown on the LCD screen. The headset is now set in DAB+ mode and will start the auto-scan to search DAB+ radio stations.
- During the scanning, "searching..." appears on the display. When a station is found, the DAB+ frequency, name and other messages are shown on the display. Press Tune - or Tune + to listen to the previous or next station.
- When you are listening to the radio station, press Menu to view the service provider's information.
- To save your favorite stations, long-press Menu, then press Tune - or Tune +, the LCD screen will display "Save Preset", then press the Enter key, the LCD screen will show "Preset Empty 1" where 1 is flashing. Press Tune - or Tune + to select the sequence number that you want to save and then press "Enter" to confirm the preset no. A total of 10 preset stations for DAB+ radio can be saved.
- To listen to the preset stations, long-press Menu. Then press Tune + or Tune -, to select, "Call Preset", press Enter to confirm. Press Tune - or Tune + to choose your favorite stations and press "Enter" to confirm.
- Manual Tune - Long-press Menu "Auto Scan" will appear on the screen. Select "Manual Tune" by pressing Tune - or Tune +. The frequency will be visible on the display, press Tune - or Tune + to adjust to your desired frequency, auto scan will then be started to search all stations within your selected frequency. After it has scanned, a list of stations will appear on the display, and the hearing protection starts to play the 1st station automatically. To listen to the next station, press "Enter", then press Tune - or Tune + to select the stations.
- Auto Scan - Long-press Menu, select Auto Scan and press Enter to confirm the setting. Auto-Tune full scan starts to receive the DAB+ signal, If no stations are found, "No Service" will appear on the display.
- Time update function: Time setting can be adjusted automatically synchronize the radio time and date in the DAB Mode.

Bluetooth Operation

- Turn on the Bluetooth function on your mobile phone or any other external Bluetooth devices.
- Search for 'WOLF Headset PRO' on your Bluetooth device, and pair them. When paired, "Bluetooth Connected" is shown on the LCD screen.
- Press Menu, to play/pause the music or answer a call. Tap Tune + or Tune - to forward/rewind the songs. To reject the call, long-press Tune - for 2 seconds.
- Re-dialing, long-press Tune + for 2 seconds, it will re-dial last call. When you receive a call through the Bluetooth function, it overrides the sound from FM/DAB+/AUX. Even pressing Mode activates nothing until the mobile call ends.
- After paired, the user still receives and answers a call while in Radio and Aux-in mode.

FM Operation

- Press the "Mode" Button to switch to FM. Press "Enter" to confirm the setting. Long-press Tune - or Tune + to start scanning. Stop scanning when clear signal is received.
- Manual search by short pressing Tune - or Tune +.
- To review the station information, press if RDS message is available from the service provider.
- To save and listen to your favorite stations, refer to the steps of DAB+ preset stations as mentioned above.
- Short press Enter key, Audio mode selected to Mono / Auto, it is only for FM mode.

Bass Boost

- To enhance the bass performance, press Enter, "Bass" is shown on the display. To deactivate the bass Boost function, press Enter again until "Bass" disappear from the screen.

Aux - in Jack

- Press the "Mode" button to select AUX. Press "Enter" to confirm. To connect audio devices, plug a 3.5mm cable into the AUX port of the hearing protection. Plug the other end of the cable into the external audio device and start the playback.

Adjusting the fit

1. Put on the earmuffs with the controls panel over your right ear.
2. With the headband over the crown of your head, position the muffs to completely enclose your ears. The muffs only provide hearing protection when worn with the headband over the crown of your head.
3. Slide the muffs carefully up or down to adjust for a firm, comfortable fit.
4. Ensure the cushions seal tightly against your head with no interference from foreign objects between the ear cup and your head (such as pencils or glasses temple arms). Spread the ear cups only enough to clear the ears. Do not return or reshape the headband.

Factory reset

- All preset stations and other settings will be deleted.
- Press and hold the Menu button, press Tune - or Tune + to find 'System Reset'. Press Enter.

Software version

- Press Menu and then press Tune - or Tune + to find 'Software version'. Write it down here:

_____.

Storage

- Do not store the hearing protector at temperatures exceeding +55°C, for example on a dashboard or windowsill. Do not store the hearing protector at temperature below -20°C. Under extremely cold conditions, warm the hearing protector before using.

Safety instructions

- This hearing protection is designed to protect your hearing from hazard noise.
- Check at regular intervals that the product is undamaged and working properly. Worn or damaged earmuffs can result in inferior protection. If the cups are cracked, if the seals are worn or defective, or if they have been exposed to chemicals, they should be discarded and replaced. The earmuffs, especially the sealing rings, can deteriorate over time and should always be examined before use to make sure they are not cracked or admit noise.
- Attaching hygienic protection on the pads can affect the acoustic properties of the cups.
- Failure to follow these instructions will seriously reduce the protection provided by the earmuffs.

- The earmuffs limit the sound pressure level for entertainment sound to 82 dB (A).
- Do not use product for long periods at high temperatures or high relative humidity, it may damage the radio.
- Do not subject the product to knocks and blows, this can reduce the protective capacity and/or damage the radio.
- The product has a radio function and can be connected to audio units for entertainment. Always check before using the product that it is working properly. Contact the store where you bought the product if the product is damaged, or not working properly.
- The use of the entertainment function can make it more difficult to hear warning signals at the workplace.
- The emitted sound level from the entertainment function can exceed the permissible sound level.
- The quality of the radio receiver is influenced by the surroundings. The radio reception can deteriorate when in motion. Televisions, fluorescent lighting or other electrical appliances can cause interference.
- Do not expose the product to direct sunlight – risk of deformation and/or malfunction. Do not expose the product to temperatures over 55°C.
- Some chemicals can have a negative effect on the product.
- Do not immerse the product in water or any other liquid.
- Clean and disinfect the headband, cups and sealing rings regularly with a cloth moistened with hot water and mild detergent, especially after prolonged use or if moisture has collected in the cups. Only use detergent that does not irritate the skin. Allow it to dry before use. Remove the batteries if the product is not going to be used for some time.
- Improper use and failure to follow the instructions can result in personal injury and/or material damage.
- Failure to follow the instructions to adjust the earmuffs will result in significantly reduced protection.
- Hygiene covers on the seals can affect the noise damping capacity.
- Do not remove the sealing rings from the product. The headband and sealing rings are not replaceable.
- Contact your dealer if you have any questions, or to obtain more information.
- Earmuffs, and in particular the seals on the cups, can deteriorate as a result of wear and should therefore be regularly checked for cracks and to make sure they seal properly to the ears.
- Adjust and maintain the product in accordance with manufacturer's instructions for best functionality.
- Failure to follow the instructions will significantly reduce the protective capacity of the ear protection.

Symbols

Description of symbols used on the product. Familiarize yourself with them to reduce the risk of personal injury and material damage.

	Approved in accordance with the relevant EU directives (EU) 2016/425
	Sort at source as electrical waste.
	Brand symbol
100400	Item number

Technical data

Weight (without battery)	approx. 519g
Sound volume	Max 82 dB (A)
Bluetooth	CSR4.0
Range	10 m
Headband size	S,M,L

Rechargeable battery

Charging time	4 h
Battery capacity	1500 mAh
Battery life	20 h
Battery technique	Li-Ion

Frequency band

FM	87.5 – 108 MHz
DAB+	174.928 – 239.200 MHz

Material

Sealing cushion	Silicone rubber
Headband cushion	PU/foam rubber
Headband	Metal

Damping value				
Frequency (Hz)	63	125	250	500
Mf (dB)	15,8	17,1	21,2	27,1
Sf (dB)	3,3	3,9	2,9	3,0
APV (dB)	12,5	13,2	18,3	24,1

Frequency (Hz)	1000	2000	4000	8000
Mf (dB)	31,2	31,1	38,8	40,8
Sf (dB)	3,2	3,3	3,3	4,6
APV (dB)	28,0	27,8	35,5	36,2

SNR	29 dB
H value	30 dB
M value	26 dB
L value	20 dB
FM/DAB/DAB+ Radio Receiver (EN352-8)	
Max. Sound Level for FM	79,7 dB (A)
Max. Sound Level for DAB	78,2 dB (A)
Max. Sound Level for DAB+	78,1 dB (A)
BLUETOOTH (EN352-6/EN352-8)	
Max. Sound Level (HF)*	74,6 dB (A)
Max. Sound Level (A2DP)*	77,9 dB (A)

Audio input ((EN352-6/EN352-8)
77,5 dB(A) at an electrical input voltage of 840mV (0,7dBm)

SPL Limitation Function provided

Yes

74,6 db(A) at -10 dB FS. Bluetooth profile HF (Hands free)

77,9 db(A) at -10 dB FS. Bluetooth profile A2DP for entertainment

Please note

- For best performance, the earmuffs are fitted, adjusted and kept maintenance in accordance to manufacturer's instruction.
- It is important to wear the earmuffs at all times in noisy surroundings to avoid the risk of hearing damage.
- Inspect the earmuffs regularly for serviceability.
- If the recommendations given above are not adhered, the protection by the earmuffs will be securely impaired.
- This product is durable for 2-3 years usage under proper operation/application unless the headband/ear cushions or the headset is damaged.

Remarks

- The earmuffs provides audio signal sound pressure level limitation and limits the entertainment audio signal to 77,9 dB(A).
- Radio reception quality may be slightly distorted depending on surroundings.
- To prevent damage to the headset and radio function, do not subject it to rough handling.
- These earmuffs are provided with an entertainment audio facility and electrical audio input. The wearer should check correct operation before usage. If distortion or failure is detected, the wearer should refer to the manufacturer's advice.
- The audibility of warning signals at specific workplaces may be impaired while using the entertainment facility.
- This product has been tested in accordance with harmonized European standards EN352-1:2002, EN352-2-8:2008 and EN 352-6:2003 and complies with the requirements in the PPE regulation (EU) 2016/425.



- This product has been tested in accordance with harmonized European standards EN 301 489-1 v2.1.1:2017, EN 301 489-17 V3.1.1:2017, EN 300 328 V2.1.1:2016, EN 62479:2010, EN 60065:2014 and complies with the requirements of radio equipment in the directive 2014/53/EU.

Guarantee

- If the product fails, please contact your supplier.
- Remember that many outlets will require that you have a valid proof of purchase.
- Any defect that arises due to faulty materials or workmanship will either be replaced, refunded or repaired free of charge where possible during this period by the dealer from whom you purchased the unit.
- The guarantee does not cover accidental damage, misuse, cabinet parts, knobs or consumable items.
- The guarantee will be rendered invalid if the product is re-sold or has been damaged by inexpert repair.
- Specifications are subject to change without notice.

Note: These warranty/guarantee rules apply only for products purchased in Norway, different rules apply in your country.

Testing lab:
NB 1974
PZT GmbH,
Bismarckstrasse 264B
D - 26389 Wilhelmshaven
GERMANY

Distributor:
Sahaga AS
Kallumveien AS
1524 Moss
Norway

Monitoring Body: NB1974, PZT GmbH, Bismarckstrasse 264B, D - 26389 Wilhelmshaven, Deutschland – Germany

Hereby, Sahaga declares that the ear muff with radio equipment WOLF Headset PRO is in compliance with Directive 2014/53 and Regulation (EU) 2016/425. To receive the full text of the EU Declaration of Conformity please see attached DoC or contact us at salg@sahaga.com

100400 User Manual
Creation Date: June 1, 2021
Version 1.0
Revision Date:—

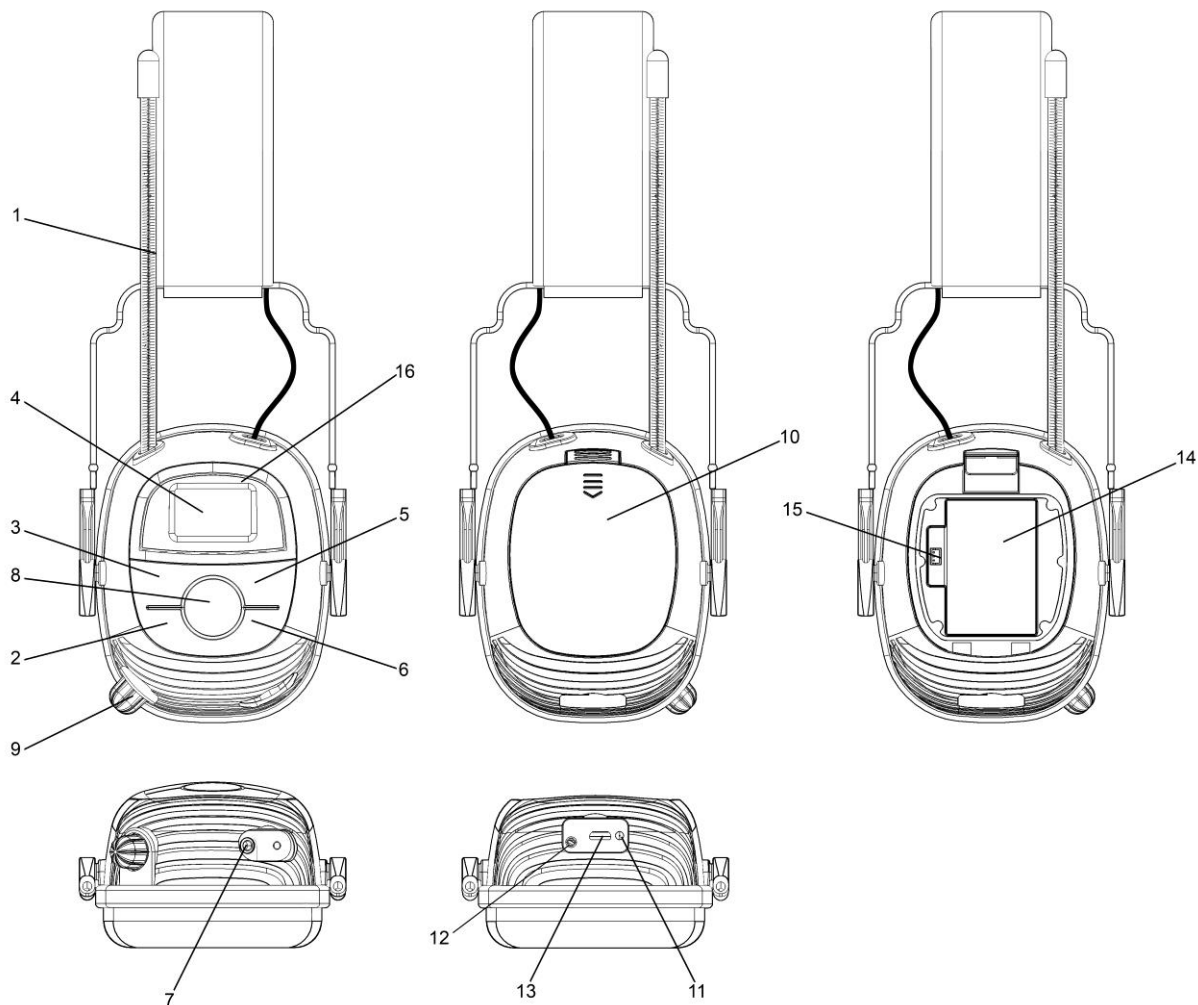
WOLF Headset PRO – Bedienungsanleitung

Modellnummer: 100400

Produktbeschreibung: Gehörschutz mit DAB+, FM, Bluetooth und AUX-Eingang

Bedienung/Tasten

- (1) Antenne
- (2) Tuning – (Nach unten/Vorheriger Song)
- (3) Tuning + (Nach oben/Nächster Song)
- (4) LCD-Display
- (5) Menü (Menü/Info/Bluetooth)
- (6) Enter/Bass (Bestätigen/Bass ein/aus)
- (7) AUX-Eingang
- (8) Modus (DAB+/FM/Aux-in/Bluetooth)
- (9) Lautstärke und On/Off
- (10) Batteriefachabdeckung
- (11) LED-Anzeige (die rote LED leuchtet, wenn die Batterie geladen wird)
- (12) Mikrofon
- (13) Ladebuchse
- (14) Batteriefach
- (15) Stromanschluss
- (16) Batteriestatus (zeigt den Batteriefüllstand in Prozent)



Einlegen des Akkus

- Stellen Sie sicher, dass das Gerät ausgeschaltet ist (On/Off-Knopf).
- Öffnen Sie die Batteriefachabdeckung. Setzen Sie den Lithium-Akku in das Batteriefach ein und stecken Sie das Akkukabel richtig herum in den Akkuanschluss, wie in der Abbildung dargestellt, um die Stromversorgung sicherzustellen. Schließen Sie die Batteriefachabdeckung.
- Der erste Warnton für den Akku ist zu hören, wenn der Akku des Headsets auf 20% gesunken ist. Anschließend ertönt in jeder fünfte Minute ein "DO" -Ton, bis der Benutzer den Akku wieder auflädt oder die gesamte Energie vollständig entladen ist.
- Den passenden Lithium-Akku erhalten Sie beim Hersteller. Andere Arten von Lithium-Akkus werden nicht empfohlen.

DAB+-Betrieb

- Schalten Sie den Kopfhörer ein, indem Sie den On/Off-Knopf (auch zur Lautstärkeregelung) im Uhrzeigersinn drehen. Passen Sie die Lautstärke wie gewünscht an.
- Auf dem LCD-Display wird „Welcome to Digital Radio“ angezeigt. Der Kopfhörer befindet sich nun im DAB+-Modus und sucht automatisch nach DAB+-Radiosendern.
- Während des Suchvorgangs wird auf dem Display „Suche ...“ angezeigt. Wenn ein Sender gefunden wird, werden die DAB+-Frequenz, der Name und weitere Meldungen im Display angezeigt. Drücken Sie Tuning – oder Tuning +, um zum vorherigen oder nächsten Sender zu wechseln.
- Informationen zum gerade gehörten Sender können Sie über die Taste Menü anzeigen.
- Um Ihre Lieblingssender zu speichern, drücken und halten Sie Menü und drücken Sie anschließend Tuning – oder Tuning +. Auf dem LCD-Display wird „Voreinstellung speichern“ angezeigt; drücken Sie Enter. Anschließend wird auf dem LCD-Display „Voreinstellung 1 leer“ angezeigt, wobei die 1 blinkt. Drücken Sie Tuning – oder Tuning +, um die Kanalnummer zum Speichern auszuwählen, und dann Enter, um die Voreinstellung-Nummer zu bestätigen. Es können insgesamt 10 vorausgewählte DAB+-Radiosender gespeichert werden.
- Um einen gespeicherten Sender zu hören, drücken und halten Sie Menü. Drücken Sie anschließend Tuning – oder Tuning +, um „Voreinstellung abrufen“ auszuwählen, und drücken Sie Enter, um zu bestätigen. Drücken Sie Tuning – oder Tuning +, um Ihre Lieblingssender auszuwählen, und drücken Sie Enter, um zu bestätigen.
- Manuelles Tuning – Drücken und halten Sie Menü. Auf dem Display wird „Auto-Suche“ angezeigt. Wählen Sie „Manuelles Tuning“, indem Sie Tuning – oder Tuning + drücken. Die Frequenz wird auf dem Display angezeigt. Drücken Sie Tuning – oder Tuning +, um die gewünschte Frequenz einzustellen. Anschließend wird ein automatischer Suchlauf gestartet. Nach dem Suchlauf wird eine Senderliste angezeigt und der Kopfhörer beginnt automatisch mit der Wiedergabe des ersten Senders. Um einen anderen Sender zu hören, drücken Sie Enter und anschließend Tuning – oder Tuning +.
- Automatischer Suchlauf – drücken und halten Sie „Menü“, wählen Sie „Auto-Suche“ und drücken Sie Enter, um die Einstellung zu bestätigen. Es wird ein automatischer vollständiger Suchlauf nach DAB+-Signalen gestartet. Wenn keine Sender gefunden werden, wird auf dem Display „Kein Dienst“ angezeigt.
- Zeitaktualisierung: Bei der Zeiteinstellung kann ausgewählt werden, dass im DAB-Modus automatisch mit Datum und Zeit des Radiosenders synchronisiert wird.

Bluetooth-Funktion

- Aktivieren Sie Bluetooth auf Ihrem Mobiltelefon oder einem anderen externen Bluetooth-Gerät.
- Suchen Sie auf Ihrem Bluetooth-Gerät nach 'WOLF Headset PRO' und koppeln Sie die Geräte. Nach erfolgreicher Kopplung wird auf dem LCD-Display „Bluetooth Connected“ (Bluetooth verbunden) angezeigt.
- Drücken Sie „Menü“, um die Musikwiedergabe zu starten/zu pausieren bzw. einen Anruf

anzunehmen. Drücken Sie Tuning + oder Tuning –, um zum vorigen/nächsten Song zu gehen. Um einen Anruf abzuweisen, drücken und halten Sie 2 Sekunden lang Tuning –.

- Wahlwiederholung: Drücken und halten Sie Tuning + 2 Sekunden lang, um die Nummer des letzten Gesprächspartners zu wählen. Wenn Sie über die Bluetooth-Funktion einen Anruf entgegennehmen, wird der Ton von FM/DAB+/Aux stummgeschaltet. Auch das Drücken der Modus-Taste hat keine Auswirkungen, bevor der Anruf beendet wird.
- Nach der Kopplung kann der Benutzer auch im Radio- und Aux-in-Modus Anrufe entgegennehmen.

FM-Betrieb

- Drücken Sie die Modus-Taste, um auf FM umzuschalten. Drücken Sie Enter, um die Einstellung zu bestätigen. Drücken und halten Sie Tuning – oder Tuning +, um den Suchlauf zu starten. Der Suchlauf endet, wenn ein klares Signal empfangen wird.
- Drücken Sie Tuning – oder Tuning + kurz, um manuell zu suchen.
- Drücken Sie „Menü“, um die Senderinformationen anzuzeigen, falls RDS-Meldungen vom Serviceanbieter verfügbar sind.
- Das Speichern von Favoriten erfolgt auf gleiche Weise wie im DAB+-Betrieb.
- Drücken Sie Enter kurz, um den Audio-Modus Mono / Auto auszuwählen (nur für FM-Modus).

Bass-Boost

- Um die Bassleistung zu erhöhen, drücken Sie Enter. Auf dem Display wird „Bass“ angezeigt. Um die Bass-Boost-Funktion zu deaktivieren, drücken Sie Enter erneut. Die Anzeige „Bass“ im Display verschwindet.

AUX-Eingang

- Drücken Sie die Modus-Taste, um AUX auszuwählen. Drücken Sie Enter, um zu bestätigen. Um ein anderes Audiogerät anzuschließen, stecken Sie ein Kabel mit 3,5-mm-Klinkenstecker in den AUX-Eingang des Gehörsschutzes ein. Stecken Sie das andere Ende des Kabels in das externe Audiogerät und starten Sie die Wiedergabe.

Grösse anpassen

5. Setzen Sie die Ohrmuscheln so auf, dass die Bedienelemente sich über Ihrem rechten Ohr befinden.
6. Das Kopfband muss genau über Ihren Scheitel verlaufen und die Ohrmuscheln müssen Ihre Ohren komplett umschließen. Nur in dieser Position ist ein Gehörschutz gewährleistet.
7. Schieben Sie die Ohrpolster vorsichtig nach oben oder nach unten, bis der Kopfhörer perfekt sitzt.
8. Die Polster müssen eng am Kopf anliegen und es dürfen sich keine Gegenstände (etwa Brillenbügel oder ein Bleistift) zwischen den Ohrmuscheln und Ihrem Kopf befinden. Ihre Ohren müssen sich in den Ohrmuscheln befinden. Ändern Sie nicht die Form des Kopfbandes.

Auf Werkseinstellungen zurücksetzen

- Alle eingestellten Sender und sonstigen Einstellungen werden gelöscht.
- Drücken und halten Sie „Menü“ oder drücken Sie Tuning – oder Tuning + kurz, um den Eintrag ‚Auf Werkseinstellungen zurücksetzen‘ zu finden. Drücken Sie Enter.

Softwareversion

- Drücken Sie „Menü“ und anschließend Tuning – oder Tuning +, um den Eintrag ‚Softwareversion‘ zu finden. Notieren Sie die Version hier:

_____.

Lager

- Lagern Sie den Gehörschutz nicht bei Temperaturen über + 55 ° C, z. B. auf einem Armaturenbrett oder einer Fensterbank. Lagern Sie den Gehörschutz nicht bei Temperaturen unter -20 ° C. Wärmen Sie den Gehörschutz bei extremer Kälte vor dem Gebrauch.

Sicherheitshinweise

- Dieser Gehörschutz soll Ihr Gehör vor Gefahrengeräuschen schützen. Überprüfen Sie regelmäßig, ob das Produkt unbeschädigt ist und ordnungsgemäß funktioniert. Verschlossene oder beschädigte Ohrmuscheln können den Gehörschutz verringern. Wenn die Ohrmuscheln eingerissen oder die Polster verschlissen oder defekt sind oder Chemikalien ausgesetzt waren, sollten Sie sie austauschen und entsorgen. Die Ohrmuscheln, insbesondere die Polster, können sich mit der Zeit versetzen und sollten vor jeder Verwendung inspiziert werden, um sicherzustellen, dass sie nicht beschädigt sind oder Lärm durchlassen.
- Die Verwendung von Hygieneabdeckungen über den Ohrmuscheln kann die akustischen Eigenschaften der Polster beeinträchtigen.
- Die Nichtbefolgung dieser Anweisungen verringert den Schutz durch die Ohrmuscheln beträchtlich.
- Die Ohrmuscheln begrenzen den Schalldruckpegel von Unterhaltungstönen auf 82 dB (A).
- Verwenden Sie das Produkt nicht über längere Zeiträume bei hohen Temperaturen oder hoher relativer Luftfeuchtigkeit, da dadurch das Radio beschädigt werden kann.
- Setzen Sie das Produkt keinen Schlägen und Stößen aus, da dies den Schutz beeinträchtigen und/oder das Radio beschädigen kann.
- Das Produkt verfügt über eine Radiofunktion und kann zu Unterhaltungszwecken mit Audiogeräten verbunden werden. Überprüfen Sie vor jeder Verwendung des Produkts, ob es ordnungsgemäß funktioniert. Wenn das Produkt beschädigt ist oder nicht funktioniert, wenden Sie sich an das Geschäft, indem Sie es gekauft haben.
- Wenn Sie die Unterhaltungsfunktion nutzen, können Sie Warnsignale am Arbeitsplatz möglicherweise nicht mehr hören.
- Der Schalldruckpegel der Unterhaltungsfunktion kann den zulässigen Schalldruckpegel überschreiten.
- Die Qualität des Radioempfängers wird von der Umgebung beeinflusst. Der Radioempfang kann sich verschlechtern, wenn Sie sich bewegen. Fernsehgeräte, fluoreszierendes Licht oder andere elektrische Geräte können Funkstörungen verursachen.
- Setzen Sie das Gerät keiner direkten Sonneneinstrahlung aus, da es dadurch zu Verformung und Fehlfunktionen kommen kann. Setzen Sie das Gerät keinen Temperaturen über 55 °C aus.
- Einige Chemikalien können negative Auswirkungen auf das Produkt haben.
- Tauchen Sie das Produkt nicht in Wasser oder andere Flüssigkeiten ein.
- Reinigen und desinfizieren Sie Kopfband, Ohrmuscheln und Polster regelmäßig, insbesondere nach längerer Verwendung oder wenn sich in den Ohrmuscheln Feuchtigkeit angesammelt hat, mit einem mit heißem Wasser angefeuchteten Tuch und einem milden Reinigungsmittel. Verwenden Sie nur Reinigungsmittel, die nicht reizend sind. Lassen Sie das Produkt vor der nächsten Verwendung vollständig trocknen. Entfernen Sie die Batterien, wenn das Produkt über längere Zeit nicht verwendet wird.
- Unsachgemäße Verwendung sowie Nichtbeachtung dieser Anweisungen kann zu Verletzungen und/oder Sachschäden führen.
- Eine falsche Einstellung der Ohrmuscheln führt zu einem deutlich verringerten Gehörschutz.
- Hygieneabdeckungen über den Polstern können die Gehörschutzkapazität verringern.
- Entfernen Sie die Polster keinesfalls vom Produkt. Kopfband und Polster sind nicht austauschbar.
- Wenden Sie sich an Ihren Händler, wenn Sie Fragen haben oder weitere Informationen wünschen.
- Die Ohrmuscheln, insbesondere die Polster, können sich aufgrund von Verschleiß

zersetzen und sollten daher regelmäßig auf Risse und eine ordnungsgemäße Abdichtung der Ohren überprüft werden.

- Anpassung und Wartung des Produkts müssen in Übereinstimmung mit den Anweisungen des Herstellers erfolgen, um eine optimale Funktion zu gewährleisten.
- Eine Nichtbefolgung dieser Anweisungen verringert die Gehörschutzkapazität erheblich.

Symbole

Beschreibung der Symbole auf dem Produkt. Machen Sie sich mit diesen Symbolen vertraut, um das Risiko von Verletzungen und Sachschäden zu verringern.

	Zugelassen gemäß den einschlägigen EU-Verordnungen (EU) 2016/425.
	Am Entstehungsort trennen und als Elektromüll entsorgen.
	Markensymbol
100400	Artikelnummer

Technische Daten

Gewicht (ohne Akku)	ca. 519 g
Schalldruckpegel	max. 82 dB (A)
Bluetooth	CSR4.0
Reichweite	10 m
Kopfbandgröße	S, M, L

Akku

Ladedauer	4 h
Kapazität	1500 mAh
Lebensdauer	20 h
Technologie	Li-Ion

Frequenzbereich

FM	87,5 – 108 MHz
DAB+	174,928 – 239,200 MHz

Material

Polster	Silikonkautschuk
Kopfbandpolster	PU/Schaumgummi
Kopfband	Metall

Dämpfungswerte				
Frequenz (Hz)	63	125	250	500
Mf (dB)	15,8	17,1	21,2	27,1
Sf (dB)	3,3	3,9	2,9	3,0
APV (dB)	12,5	13,2	18,3	24,1

Frequenz (Hz)	1000	2000	4000	8000
---------------	------	------	------	------

Mf (dB)	31,2	31,1	38,8	40,8
Sf (dB)	3,2	3,3	3,3	4,6
APV (dB)	28,0	27,8	35,5	36,2

SNR	29 dB
H-Wert	30 dB
M-Wert	26 dB
L-Wert	20 dB

FM/DAB/DAB+-Radioempfänger (EN352-8)

Max. Schalldruckpegel bei FM	79.7 dB (A)
Max. Schalldruckpegel bei DAB	78.2 dB (A)
Max. Schalldruckpegel bei DAB+	78.1 dB (A)

BLUETOOTH (EN352-6/EN352-8)

Max. Schalldruckpegel (HF)*	74.6 dB (A)
Max. Schalldruckpegel (A2DP)	77.9 dB (A)

Audioeingang (EN352-6/EN352-8)

77.5 dB (A) bei 0.7 dBm (840 mV) Eingangsspannung

SPL-Begrenzungsfunktion vorhanden	Ja
74.6 dB(A)	Bei -10 dB FS. Bluetooth-Profil HF (Handsfree)
77.9 dB(A)	Bei -10 dB FS. Bluetooth-Profil A2DP für Unterhaltung

Beachten Sie

- Um die beste Leistung zu garantieren, sollten Sie sich beim Aufsetzen, Anpassen und Pflegen der Ohrmuscheln an die Anweisungen des Herstellers halten.
- Tragen Sie den Kopfhörer bei starkem Umgebungslärm jederzeit, um Hörschäden zu vermeiden.
- Überprüfen Sie die Ohrmuscheln regelmäßig auf Beschädigungen.
- Eine Nichtbeachtung der obigen Hinweise führt dazu, dass der Schutz durch die Ohrmuscheln stark eingeschränkt ist.
- Dieses Produkt ist bei ordnungsgemäßer Bedienung / Anwendung 2-3 Jahre lang haltbar, es sei denn, das Kopfband / die Ohrpolster oder das Headset sind beschädigt.

Anmerkungen

- Die Ohrmuscheln beschränken den Schalldruckpegel von Audiosignalen auf 77,9 dB(A).
- Die Radioempfangsqualität kann durch die Umgebung gestört werden.
- Behandeln Sie das Gerät pfleglich, um Schäden am Kopfhörer und dem Radioempfänger zu vermeiden.
- Die Ohrmuscheln verfügen über einen Radioempfänger und eine Audio-Eingangsbuchse. Überprüfen Sie vor der Verwendung die korrekte Funktion. Wenn starkes Rauschen zu hören ist oder ein anderer Schaden festgestellt wird, wenden Sie sich an den Hersteller.
- Durch Nutzung des Audiowiedergabegeräts kann es vorkommen, dass Warnsignale an bestimmten Arbeitsplätzen nicht mehr hörbar sind.
- Dieses Produkt wurde gemäß den harmonisierten europäischen Normen EN352-1:2002, EN352-2-8:2008 und EN 352-6:2003 getestet und entspricht den Anforderungen der PSA-Richtlinie (EU) 2016/425.



• Dieses Produkt wurde gemäß den harmonisierten europäischen Normen EN 301 489-1 v2.1.1: 2017, EN 301 489-17 V3.1.1: 2017, EN 300 328 V2.1.1: 2016, EN 62479: 2010, EN 60065 geprüft : 2014 und entspricht den Anforderungen an Funkgeräte in der Richtlinie 2014/53 / EU.

Garantie

- Sollte das Produkt defekt sein, wenden Sie sich bitte an Ihren Lieferanten.
- Denken Sie daran, dass viele Händler die Vorlage eines gültigen Kaufnachweises verlangen.
- Sollte aufgrund von Material- oder Herstellungsfehlern ein Defekt auftreten, wird das Gerät während dieses Zeitraums vom Händler, bei dem Sie das Gerät gekauft haben, entweder kostenlos ausgetauscht oder repariert oder der Kaufpreis zurückerstattet, sofern dies möglich ist.
- Diese Garantie gilt nicht für absichtlich herbeigeführte Schäden und falsche Verwendung sowie für Korpus teile, Knöpfe und Verbrauchsmaterial.
- Die Garantie wird ungültig, wenn das Produkt weiterverkauft oder durch unsachgemäße Reparatur beschädigt wird.
- Bei den technischen Daten sind Änderungen ohne Vorankündigung vorbehalten.

Hinweis: Diese Garantie-/Gewährleistungsrichtlinie gilt nur für in Norwegen gekaufte Produkte. In Ihrem Land können andere Vorschriften gelten.

Testlabor:
NB 1974
Bismarckstrasse 264B
D - 26389 Wilhelmshaven
Deutschland

Vertrieb:
Sahaga AS
Kallumveien 16
1524 Moss
Norway

Monitoring Body: NB1974, PZT GmbH, Bismarckstraße 264 B, D - 26389 Wilhelmshaven, Deutschland – Germany

Hiermit erklärt Sahaga, dass der Gehörschutz mit Funkgerät WOLF Headset PRO der Richtlinie 2014/53 und der Verordnung (EU) 2016/425 entspricht. Um den vollständigen Text der EU-Konformitätserklärung, siehe Anhang DoC oder zu erhalten salg@sahaga.com

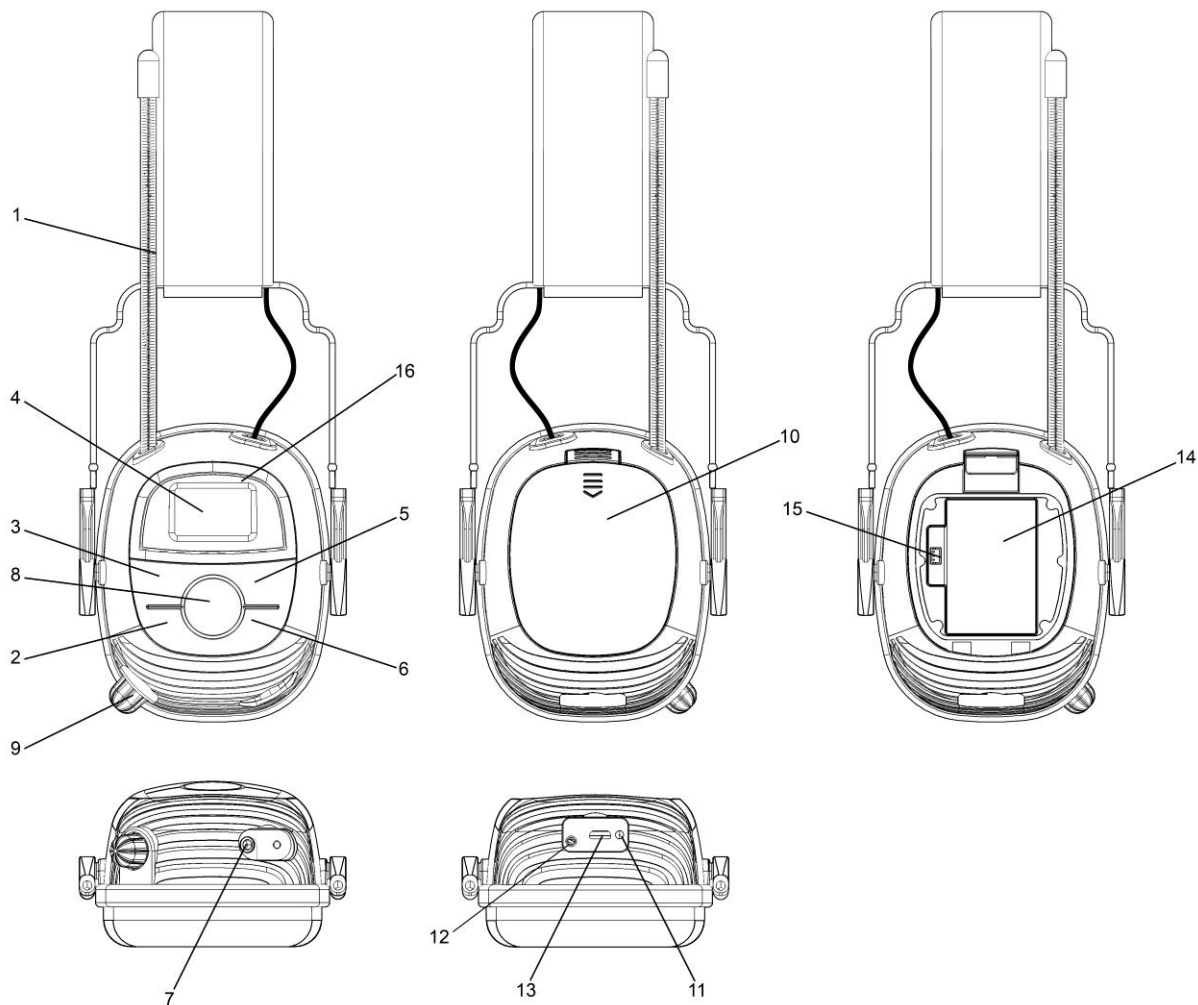
WOLF Headset PRO brukerveiledning

Modellnummer: 100400

Produktbeskrivelse: Hørselvern med DAB+, FM, Bluetooth & Aux-inngang

Kontroller/knapper

- (1) Antenne
- (2) Tune - (Nedover/forrige sang)
- (3) Tune + (Oppover/neste sang)
- (4) LCD-skjerm
- (5) Menu (Meny/Info/Bluetooth)
- (6) Enter/Bass (Bekreft/Bass på og av)
- (7) Aux-inngang
- (8) Modus (DAB+/FM/Aux-in/Bluetooth)
- (9) Volum og Strøm På/Av
- (10) Batterideksel
- (11) LED-indikator (Når batteriet lades, lyser LED-lyset rødt)
- (12) Mikrofon
- (13) Ladeport
- (14) Batterirom
- (15) Strømkontakt
- (16) Batteristatus (viser batteriprosent)



Batteri-installasjon

- Forsikre deg om at On/Off-bryteren er slått av (off).
- Åpne Batteridekselet. Sett det skreddersydde Lithium-batteriet inn i batterirommet og plugg batteri-ledningen riktig vei inn i Strømkontakten som vist på illustrasjonen, for å forsikre deg om at strømtilførselen er koblet til. Sett på batteridekselet igjen.
- Batteriets 1. advarselslyd høres når batteriets kraft til headsettet faller til 20%. Påfølgende "DO"-lyd høres hvert 5 minutt til brukeren lader batteriet på nytt, eller all strøm er fullstendig utladet.
- Produsenten lager de skreddersydde litiumbatteriene. Andre typer Lithium-batterier anbefales ikke.

DAB+-drift

- Slå hørselvernet på ved å vri On/Off-bryteren (som også er Volumkontroll) med klokken og juster volumet til ønsket nivå.
- "Velkommen til Digital Radio" vises på skjermen. Hørselvernet er nå i DAB+ modus og vil starte et automatisk søk etter DAB+ radiostasjoner.
- Under skanningen, vil 'Søker...' vises på skjermen. Når en stasjon blir funnet, vil DAB+ frekvensen, navnet og andre meldinger vises på skjermen. Trykk på Tune - eller Tune + for å høre på forrige eller neste stasjon.
- Når du hører på en radiostasjon, trykk på Menu for å se informasjonen kringkasteren sender.
- For å lagre dine forvalgte favorittstasjoner, bytter du først til den stasjonen du ønsker å lagre. Trykk og hold inne Menu-knappen, trykk så på Tune - eller Tune + til du finner "Lagre Forvalg". Trykk på Enter-knappen for å bekrefte. Skjermen vil vise "Forvalg Tom 1" og 1-tallet vil blinke. Trykk på Tune - eller Tune + for å velge nummeret du ønsker å lagre den forvalgte stasjonen på og trykk på "Enter" for å bekrefte. Du kan totalt lagre 10 forvalgte DAB+ radiostasjoner.
- For å høre på forvalgte stasjoner, trykk og hold Menu-knappen inne. Trykk så på Tune + eller Tune - til du finner "Hent Forvalg". Trykk på Enter for å bekrefte. Trykk på Tune - eller Tune + for å finne den stasjonen du ønsker å høre på og trykk på "Enter".
- Manuelt søk: Trykk og hold Menu inne. "Autoscan" vil dukke opp på skjermen. Finn "Manuell Tuning" ved å trykke på Tune - eller Tune +. Frekvensen vil vises på skjermen, trykk på Tune - eller Tune + for å justere til din ønskede frekvens, et automatisk søk vil nå søke etter alle stasjonene innenfor din valgte frekvens. Etter at den har fullført søket, vil en liste med stasjoner vises på skjermen og hørselvernet starter å spille den første stasjonen på listen automatisk. For å høre på den neste stasjonen, trykk på "Enter", trykk så på Tune - eller Tune + for å finne stasjonen du ønsker å høre på.
- Automatisk søk: Trykk og hold Menu inne, finn 'Autoscan' og trykk på Enter for å bekrefte. Auto-Tune full scan mottar nå DAB+-signaler, Hvis ingen stasjoner blir funnet, vil "Ingen stasjoner funnet" vises på skjermen.
- Tid/dato oppdateringsfunksjon: Tid og dato kan bli synkronisert automatisk i DAB-modus.

Bluetooth-drift

- Slå på Bluetooth-funksjonen på mobiltelefonen eller annen ekstern Bluetooth-enhet.
- Søk etter 'WOLF Headset PRO' på din eksterne Bluetooth-enhet, og start paringen. Når parett, vil "Bluetooth Tilkoblet" vises på skjermen.
- Trykk på Menu for å spille/pause musikken eller for å svare et anrop. Trykk på Tune + eller Tune - for å høre på neste/forrige sang. For å avslå et anrop, trykk og hold Tune - inne i 2 sekunder.
- Hvis du vil ringe opp forrige anrop, trykk og hold Tune + inne i 2 sekunder. Den vil da ringe det forrige anropet. Når du mottar et anrop gjennom Bluetooth-funksjonen, overstyrt det lyden fra FM/DAB+/AUX. Selv det å trykke på Mode-knappen aktiverer ingen ting, før samtalen er avsluttet.
- Etter sammenkoblingen, vil brukeren kunne motta og svare anrop i både radiomodus og Aux-modus.

FM-drift

- Trykk på "Mode"-knappen for å bytte til FM. Trykk på "Enter" for å bekrefte innstillingen. Trykk og hold Tune - eller Tune + inne for å starte skanningen. Stopp skanningen når du mottar et klart signal.
- Søk manuelt ved å trykke på Tune - eller Tune +.
- For å se stasjonsinformasjon, trykk på Menu gjentatte ganger (hvis RDS-meldinger er tilgjengelig fra kringkasteren).
- For å lagre og høre på forvalgte favorittstasjoner, referer til stegene for forvalgte DAB+ stasjoner som nevnt ovenfor.
- Trykk på Enter-knappen gjentatte ganger for å velge lydmodus (Mono / Auto). Dette gjelder kun i FM-modus.

Bass Boost

- For å forbedre bassytelsen, trykk på Enter, "Bass" vises på displayet. For å deaktivere Bass Boost-funksjonen, trykk på Enter til "Bass" forsvinner fra skjermen.

Aux-drift

- Trykk på "Mode"-knappen for å velge AUX. Trykk på "Enter" for å bekrefte. For å koble til lydenheter, må du koble en 3.5mm-kabel inn i AUX-inngangen på hørselvernet. Koble den andre enden av kabelen inn i den eksterne lydenheten og start avspillingen.

Juster passformen

9. Ta på deg hørselvernet med kontrollpanelet over ditt høyre øre.
10. Med hørselvernet over kronen på hodet ditt, plasser øreklokkene slik at de dekker ørene dine helt. Hørselvernet beskytter kun hørselen din når det blir brukt på denne måten.
11. Skyv øreklokkene opp eller ned for å justere de slik at de får en stabil og behagelig passform.
12. Forsikre deg om at øreputene og bøylen slutter seg tett mot ørene og hodet uten forstyrrelser fra fremmedlegemer mellom hørselvernet og hodet (for eksempel blyanter eller briller). Spre øreklokkene for å fjerne de fra ørene. Ikke spre de mer enn nødvendig og ikke dra i eller omform hodebøylen.

Nullstille til fabrikkoppsett

- Alle forvalgte stasjoner og andre innstillinger vil bli slettet.
- Trykk og hold Menu-knappen inne og trykk på Tune - eller Tune + for å finne 'Nullstill til fabrikkoppsett'. Trykk på Enter.

Sjekk programvareversjon

- Trykk på Menu og på Tune - eller Tune + for å finne 'Prog.vareversjon'. Noter den her:

Oppbevaring

- Ikke lagre hørselvernet ved temperaturer over + 55 ° C, for eksempel på instrumentbrett eller vinduskarm. Ikke lagre hørselvernet ved temperaturer under -20 ° C. Varm opp hørselvernet før bruk under ekstremt kalde forhold.

Sikkerhetsinstruksjoner

- Dette hørselvernet er laget for å beskytte hørselen din mot skadelig støy.
- Kontroller at produktet er uskadet og at det fungerer som det skal med jevne mellomrom. Utslitte eller skadede øreputer kan resultere i dårligere beskyttelse. Hvis øreputene har sprukket, hvis tetningsringene er slitt eller defekt, eller hvis de har blitt utsatt for kjemikalier, skal de kastes og byttes ut (nye øreputer kjøpes separat). Øreputene, spesielt tetningsringene, kan svekkes over tid og bør alltid undersøkes før bruk for å sikre at de ikke

er sprukket eller slipper inn støy.

- Ved å legge hygienisk beskyttelse på øreputene kan det påvirke de akustiske egenskapene til øreklokkene.
- Unnlatelse av å følge disse instruksjonene vil redusere beskyttelsen som hørselvernet gir.
- Hodetelefonene begrenser lydtryknivået for underholdningslyd til 82 dB (A).
- Ikke bruk produktet i lange perioder ved høye temperaturer eller relativt høy fuktighet, det kan skade radioen.
- Ikke utsett produktet for slag og støt, dette kan redusere beskyttelseskapasiteten og/eller skade radioen.
- Produktet har en radiofunksjon og kan kobles til andre lydenheter for underholdning. Sjekk alltid før du bruker produktet at det fungerer som det skal. Kontakt butikken der du kjøpte produktet hvis det er skadet eller ikke fungerer som det skal.
- Bruken av underholdningsfunksjonen kan gjøre det vanskeligere å høre advarselssignaler på arbeidsplassen.
- Lydnivået som kommer ut fra underholdningsfunksjonen kan overstige det tillatte lydnivået.
- Kvaliteten på radiomottakeren påvirkes av omgivelsene. Radio mottaket kan forringes når den er i bevegelse. Forstyrrelsen kan skyldes fjernsyn, lysrør eller andre elektriske apparater.
- Ikke utsett produktet for direkte sollys pga. risiko for deformasjon og/eller funksjonsfeil. Ikke utsett produktet for temperaturer over 55°C.
- Noen kjemikalier kan ha en negativ effekt på produktet.
- Ikke senk produktet i vann eller annen væske.
- Rengjør og desinfiser hodebøylen, øreklokkene og tetningsringene regelmessig med en klut fuktet med varmt vann og mildt rengjøringsmiddel, spesielt etter langvarig bruk eller hvis fuktighet har samlet seg i koppene. Bruk kun vaskemiddel som ikke irriterer huden. La det tørke før bruk. Fjern batteriene hvis produktet ikke skal brukes i på en stund.
- Feil bruk og unnlatelse av å følge instruksjonene kan føre til personskade og/eller materiell skade.
- Hvis du ikke følger instruksjonene for å justere øreputene, vil du få en betydelig redusert beskyttelse.
- Hygienisk beskyttelse på tetningene kan påvirke støydempingskapasiteten.
- Ikke fjern tetningsringen fra produktet. Hodebøylen og tetningsringene kan ikke byttes ut.
- Kontakt forhandleren din hvis du har spørsmål, eller for å få mer informasjon.
- Noen kjemiske stoffer kan ha skadelig effekt på produktet.
- Juster og vedlikehold produktet i henhold til produsentens instruksjoner for beste funksjonalitet.

Symboler

- Beskrivelse av symbolene som brukes på produktet. Bli kjent med disse for å redusere risikoen for personskade og materielle skader.

	Godkjent i samsvar med de relevante EU-direktiver (EU) 2016/425.
	Sorter ved kilden som elektrisk avfall.
	Hørselvernets navn og logo
100400	Produktnummer

Teknisk data

Vekt (uten batteri)	c a . 5 1 9 g
Lydvolum	Max 82 dB (A)
Bluetooth	CSR4.0
Rekkevidde	10 m
Hodebøylestørrelse	S,M,L

Oppladbart batteri

Ladetid	4 h
Batterikapasitet	1500 mAh
Batterilevetid	20 h
Batteriteknikk	Li-Ion

Frekvensbånd

FM	87.5 – 108 MHz
DAB+	174.928 – 239.200 MHz

Materialer

Tetningspute	Silikongummi
Hodebøylepute	PU/skumgummi
Hodebøyle	Metall

Dempingsverdier				
Frekvens (Hz)	63	125	250	500
Mf (dB)	15,8	17,1	21,2	27,1
Sf (dB)	3,3	3,9	2,9	3,0
APV (dB)	12,5	13,2	18,3	24,1

Frekvens (Hz)	1000	2000	4000	8000
Mf (dB)	31,2	31,1	38,8	40,8
Sf (dB)	3,2	3,3	3,3	4,6
APV (dB)	28,0	27,8	35,5	36,2

SNR	29 dB
H-verdi	30 dB
M-verdi	26 dB
L-verdi	20 dB

FM/DAB+ Radiomottaker (EN352-8)

Maks. Lydnivå for FM	79.7 dB (A)
Maks. Lydnivå for DAB	78.2 dB (A)
Maks. Lydnivå for DAB+	78,1 dB (A)

BLUETOOTH (EN352-6/EN352-8)

Maks. Lydnivå (HF)*	74.6 dB (A)
Maks. Lydnivå (A2DP)*	77.9 dB (A)

Lydinggang (EN352-6/EN352-8)

77.5 dB(A) ved 0.7 dBm (840mV) inngangsspenning

SPL Begrensningsfunksjon	Ja
74.6 db(A)	på -10 dB FS. Bluetooth profil HF (Handsfree)
77.9 dB(A)	på -10 dB FS. Bluetooth profil A2DP for underholdning

Vennligst merk

- Det er viktig å bruke hørselvernet til enhver tid i støyende omgivelser for å unngå fare for hørselsskader.
- Inspiser hørselvernet regelmessig for brukbarhet.
- Hvis anbefalingene som er oppgitt ovenfor ikke overholdes, vil beskyttelsen av hørselvernet være svekket.
- Produktet har en levetid på 2-3 år. Dette forutsatt at bruken er fornuftig og at hodebøyle, øreputer eller andre deler ikke ødelegges.

Sikkerhet

- Høy musikk kan gi hørselskader.
- Unngå å arbeide i støyende omgivelser over lengre tid.
- Bruk hørselvernet når du arbeider på støyende arbeidsplasser.
- Akustiske advarsler, indikatorsignaler og miljømessige lyder kan oppfattes og høres annerledes når man har på hørselsvern.
- Oppfatningen av varselsignaler på enkelte arbeidsplasser kan bli berørt når du bruker et lydssystem.

Forhåndsregler og advarsler

- Radiosignalmottaket kan bli forstyrret når du er i bevegelse.
- Forstyrrelser og feil kan oppstå når du slår på TV, fluorescerende lys eller andre elektriske apparater.
- Når volumet blir svakere, lad opp eller bytt ut litiumbatteriet. Hvis du vil kjøpe et nytt, skreddersydd litiumbatteri, vennligst bestill dette fra produsenten.
- Visse kjemiske stoffer kan ha negativ innvirkning på dette produktet. Bare tørk den med en myk klut fuktet med en mild såpe eller vann. Ikke dypp den i vannet.
- Fjern batteriet fra enheten når du ikke skal bruke den på en stund, for å unngå batterilekkasje.
- Hvis man ikke følger disse instruksjonene eller misbruker hørselvernet kan det føre til skade og/eller tap.
- Hvis anbefalingene gitt under "Justering av passform" ikke blir overholdt, vil beskyttelsen gitt av hørselvernet bli alvorlig nedsatt.
- Hodebøylen og øreklokkene er ikke-utskiftbare, så vennligst ikke riv de av, da dette vil skade hørselvernet.

Feilsøking

Hvis hørselvernet slutter å fungere:

1. Undersøk om batterikabelkontakten er satt riktig inn i strømkontakten på hørselvernet.
2. Forsikre deg om at hørselvernet er tørt.
3. Lad opp batteriet.

Bemerkninger

- Hørselvernet gir lydsignalbegrensning for lydssignal og begrenser underholdningssignalet til 77,9 dB (A).
- Radiomottaks kvaliteten kan være litt forvrengt avhengig av omgivelsene.
- For å unngå skade på hørselvernet og radiofunksjonen må du ikke utsette det for grov håndtering.
- Dette hørselvernet er utstyrt med et underholdningslydanlegg og elektrisk lydinnang. Brukeren bør kontrollere korrekt bruk før han/hun begynner å bruke det. Hvis det oppdages forvrengning eller feil, bør brukeren henvise til produsentens råd eller kontakte butikken der du kjøpte hørselvernet.
- Hørbarheten til advarselssignaler på bestemte arbeidsplasser kan bli svekket når du bruker underholdningsanlegget.

- Dette produktet er testet i samsvar med harmoniserte europeiske standarder EN352-1: 2002, EN352-2-8: 2008 og EN 352-6: 2003 og oppfyller kravene i PPE-direktiv (EU) 2016/425.



Dette produktet er testet i samsvar med harmoniserte europeiske standarder EN 301 489-1 v2.1.1: 2017, EN 301 489-17 V3.1.1: 2017, EN 300 328 V2.1.1: 2016, EN 62479: 2010, EN 60065 : 2014 og oppfyller kravene til radioutstyr i direktivet 2014/53 / EU.

Testlab:
NB 1974
PZT GmbH,
Bismarckstrasse 264B
D - 26389 Wilhelmshaven
Deutschland

Distributør:
Sahaga AS<s
Kallumveien 16
1524 Moss
Norway

Overvåkingsorgan: NB1974, PZT GmbH, Bismarckstrasse 264 B, D - 26389 Wilhelmshaven, Tyskland – Tyskland

Garanti

- Dette produktet er dekket av norsk reklamasjonsreglement ihht. Den norske kjøpsloven.
- Hvis det oppstår feil på produktet, vennligst kontakt de du kjøpte det av.
- Husk at mange utsalgssteder vil kreve at du har gyldig kvittering for kjøpet.
- Dette produktet har 2 års garanti.
- Enhver skade som oppstår på grunn av feil på materialer eller utførelse vil enten bli erstattet, refundert eller reparert gratis der det er mulig i denne perioden hos forhandleren der du kjøpte produktet.
- Garantien dekker ikke skader som skyldes uhell, misbruk, kabinettdele, knotter eller forbruksvarer.
- Produktet må brukes i samsvar med instruksjonene i denne håndboken.
- Garantien gjøres ugyldig dersom produktet er videresolgt eller har blitt skadet av ukyndig reparasjon.
- Spesifikasjonene kan endres uten varsel.

Sahaga erklærer herved at hørselvernet WOLF Headset PRO er i samsvar med direktiv 2014/53 og regulering (EU) 2016/425. For å motta hele teksten til EU-samsvarserklæringen, se vedlagte DoC eller send en epost til salg@sahaga.com

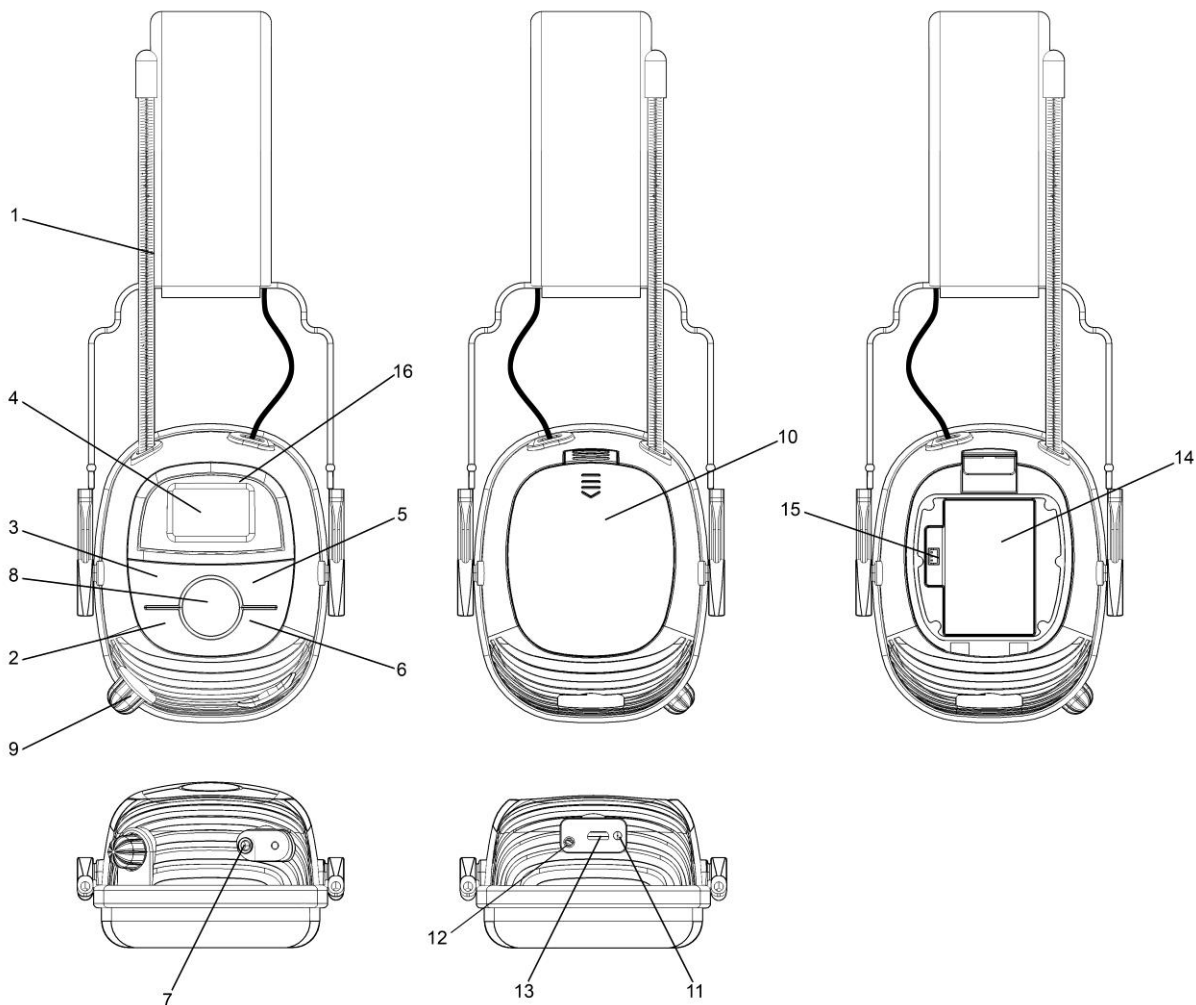
Manuale utente WOLF Headset PRO

Numero del modello: 100400

Descrizione del prodotto: protezione per l'udito con DAB+, FM, Bluetooth e Aux-in

Controlli/pulsanti

- (1) Antenna
- (2) Sintonizzazione - (giù/brano precedente)
- (3) Sintonizzazione + (su/brano successivo)
- (4) Schermo LCD
- (5) Menu (Menu/Info/Bluetooth)
- (6) Invio/Bassi (Conferma/Bassi accesi e spenti)
- (7) Aux in
- (8) Modalità (DAB+/FM/Aux-in/Bluetooth)
- (9) Volume e Accensione/spegnimento
- (10) Coperchio batteria
- (11) Spia LED (la luce LED rossa è accesa durante la ricarica della batteria)
- (12) Microfono
- (13) Porta di carica
- (14) Vano batteria
- (15) Connettore di alimentazione
- (16) Stato della batteria (mostra la percentuale di carica della batteria)



Installazione della batteria

- Accertarsi che la manopola di accensione/spegnimento sia sulla posizione Off (spento).
- Aprire il coperchio della batteria. Inserire la batteria al litio personalizzata nel vano e collegare il cavo della batteria nel connettore di alimentazione nella direzione corretta, come illustrato nella figura, per accertarsi che l'alimentazione sia inserita. Chiudere il coperchio della batteria.
- La batteria emette un suono di avviso quando la batteria dell'auricolare scende al 20%. Il successivo suono "DO" verrà richiesto ogni 5 minuti fino a quando l'utente ricaricherà la batteria o tutta l'energia sarà completamente scarica.
- Il fabbricante fornisce la batteria al litio personalizzata. Non si consiglia di usare altri tipi di batterie al litio.

Funzionamento DAB +

- Accendere la protezione per l'udito ruotando la manopola di Accensione/spegnimento (che unisce il controllo del volume) in senso orario e regolare il suono in base al livello che si desidera.
- Sullo schermo LCD comparirà il messaggio "Benvenuto alla radio digitale". Le cuffie sono ora impostate in modalità DAB+ e avvieranno la scansione automatica per cercare le stazioni radio DAB+.
- Durante la scansione, sul display compare il messaggio "ricerca in corso". Quando viene trovata una stazione, sul display compaiono la frequenza DAB+, il nome e altri messaggi. Premere Sintonizzazione - o Sintonizzazione + per ascoltare la stazione precedente o successiva.
- Mentre si sta ascoltando la stazione radio, premere Menu per visualizzare le informazioni sul service provider.
- Per salvare le stazioni preferite, premere e tenere premuto Menu, quindi premere Sintonizzazione - o Sintonizzazione +. Sullo schermo LCD comparirà il messaggio "Salva preimpostazione", quindi premere il tasto Invio. Sullo schermo LCD comparirà il messaggio "Preimpostazione vuota 1", con la cifra 1 lampeggiante. Premere Sintonizzazione - o Sintonizzazione + per selezionare il numero sequenziale che si desidera salvare, quindi premere "Invio" per confermare il numero della preimpostazione. È possibile salvare un totale di 10 stazioni preimpostate per la radio DAB+.
- Per ascoltare le stazioni preimpostate, premere e tenere premuto Menu. Poi, premere Sintonizzazione + o Sintonizzazione - per selezionare "Richiama preimpostazione". Premere Invio per confermare. Premere Sintonizzazione - o Sintonizzazione + per scegliere le stazioni preferite, quindi premere "Invio" per confermare.
- Sintonizzazione manuale – Premere e tenere premuto Menu. Sullo schermo comparirà il messaggio "Scansione automatica". Selezionare "Sintonizzazione manuale" premendo Sintonizzazione - o Sintonizzazione +. La frequenza sarà visibile sul display, premere Sintonizzazione - o Sintonizzazione + per regolare sulla frequenza desiderata. A quel punto, si avvierà la scansione automatica per cercare tutte le stazioni comprese nella frequenza selezionata. Al termine della scansione, sul display comparirà un elenco di stazioni e la protezione per l'udito inizierà a riprodurre automaticamente la 1ª stazione. Per ascoltare la stazione successiva, premere "Invio", quindi premere Sintonizzazione - o Sintonizzazione + per selezionare le stazioni.
- Scansione automatica - Premere e tenere premuto Menu, selezionare Scansione automatica, quindi premere Invio per confermare l'impostazione. La scansione completa di sintonizzazione automatica inizierà a ricevere il segnale DAB+. Nel caso in cui non trovasse alcuna stazione, sul display comparirà il messaggio "Nessun servizio".
- Funzione di aggiornamento dell'ora: l'impostazione dell'ora è regolabile automaticamente per sincronizzare l'ora e la data della radio in Modalità DAB.

Funzionamento Bluetooth

- Accendere la funzione Bluetooth sul telefono cellulare o su qualsiasi altro dispositivo

Bluetooth esterno.

- Cercare 'WOLF Headset PRO' sul dispositivo Bluetooth e realizzare l'accoppiamento. Dopo aver fatto ciò, sullo schermo LCD comparirà il messaggio "Bluetooth collegato".
- Premere Menu per riprodurre/mettere in pausa la musica o rispondere a una chiamata. Toccare Sintonizzazione + o Sintonizzazione – per mandare avanti/indietro i brani. Per rifiutare la chiamata, premere e tenere premuto Sintonizzazione - per 2 secondi.
- Per ricomporre il numero, premere e tenere premuto Sintonizzazione + per 2 secondi e sarà ricomposto il numero dell'ultima chiamata. Quando si riceve una chiamata attraverso la funzione Bluetooth, essa ignora il suono proveniente da FM/DAB+/AUX. Perfino premendo Modalità non si attiva niente se non al termine della chiamata al telefono cellulare.
- Ad accoppiamento avvenuto, l'utente riceverà e risponderà ancora alle chiamate mentre si trova in modalità Radio e Aux-in.

Funzionamento FM

- Per passare a FM, premere il pulsante "Modalità". Premere "Invio" per confermare l'impostazione. Premere e tenere premuto Sintonizzazione - o Sintonizzazione + per avviare la scansione. Arrestare la scansione quando si riceve un segnale chiaro.
- Per la ricerca manuale, premere brevemente Sintonizzazione - o Sintonizzazione +.
- Per consultare le informazioni sulla stazione, premere se è disponibile il messaggio RDS dal service provider.
- Per salvare e ascoltare le stazioni preferite, consultare le fasi delle stazioni preimpostate DAB+ come descritto in precedenza.
- Premere brevemente il tasto Invio, la modalità Audio selezionata su Mono/Auto è riservata solo alla modalità FM.

Bass Boost

- Per aumentare le prestazioni dei bassi, premere Invio e sul display comparirà la dicitura "Bassi". Per disattivare la funzione Bass Boost, premere nuovamente Invio fino a che la dicitura "Bassi" scompare dallo schermo.

Jack Aux-in

- Premere il pulsante "Modalità" per selezionare AUX. Premere Invio per confermare. Per collegare dispositivi audio, inserire un cavo da 3,5 mm nella porta AUX della protezione per l'udito. Inserire l'altra estremità del cavo nel dispositivo audio esterno e avviare la riproduzione.

Regolazione della vestibilità

13. Indossare le cuffie antirumore con il pannello dei controlli sopra l'orecchio destro.
14. Con l'archetto sopra la testa, posizionare le cuffie antirumore in modo che racchiudano completamente le orecchie. Le cuffie antirumore forniscono protezione per l'udito esclusivamente quando le si indossa con l'archetto sopra la testa.
15. Far scivolare delicatamente le cuffie antirumore verso l'alto o il basso per regolarle in modo che garantiscano una vestibilità salda e comoda.
16. Accertarsi che i cuscinetti siano saldamente posti contro la testa senza interferenze da corpi estranei tra il cuscinetto auricolare e la testa (ad esempio, matite o stanghette degli occhiali). Estendere i cuscinetti auricolari solo quanto basta per far passare le orecchie. Non ricollocare o rimodellare l'archetto.

Reimpostazione di fabbrica

- Tutte le stazioni preimpostate e le altre impostazioni saranno cancellate.
- Premere e tenere premuto il pulsante Menu o premere Sintonizzazione - o Sintonizzazione + per trovare 'Azzeramento di fabbrica'. Premere Invio.

Versione software

- Premere Menu, quindi premere Sintonizzazione - o Sintonizzazione + per trovare 'Versione software'. Annotarla qui:
-

Conservazione

- Non conservare la protezione acustica a temperature superiori a +55 ° C, ad esempio su un cruscotto o davanzale. Non conservare la protezione dell'udito a temperature inferiori a -20 ° C. In condizioni estremamente fredde, riscaldare la protezione acustica prima dell'uso.




Istruzioni di sicurezza

- Questa protezione per l'udito è progettata per proteggere l'udito dai rumori pericolosi.
- Verificare a intervalli regolari che il prodotto non abbia subito danni e funzioni correttamente. Cuffie antirumore usurate o danneggiate possono dare luogo a una minore protezione. Se gli auricolari sono incrinati, le tenute sono usurate o difettose o se questi elementi sono stati esposti a sostanze chimiche, devono essere scartati e sostituiti. Le cuffie antirumore, in particolare gli anelli di tenuta, possono deteriorarsi nel corso del tempo e devono essere sempre esaminate prima dell'uso per accertarsi che non presentino incrinature o lascino passare il rumore.
- Se si applica una protezione igienica agli auricolari, se ne potrebbero compromettere le proprietà acustiche.
- La mancata osservanza di queste istruzioni ridurrà in modo notevole la protezione fornita dalle cuffie antirumore.
- I cuscinetti auricolari limitano il livello della pressione acustica per il suono di intrattenimento a 82 dB (A).
- Non utilizzare il prodotto per periodi prolungati a temperature elevate o a umidità relativa elevata, poiché così facendo si potrebbe danneggiare la radio.
- Non sottoporre il prodotto a urti e colpi, poiché così facendo si potrebbe ridurre la capacità di protezione e/o danneggiare la radio.
- Il prodotto ha una funzione radio e può essere collegato a unità audio per intrattenimento. Prima di utilizzare il prodotto, verificare sempre che funzioni correttamente. Se il prodotto è danneggiato o non funziona correttamente, contattare il negozio in cui lo si è acquistato.
- L'uso della funzione di intrattenimento può rendere difficile udire i segnali di avvertimento sul posto di lavoro.
- Il livello sonoro emesso dalla funzione intrattenimento può superare il livello sonoro consentito.
- La qualità del ricevitore radio è influenzata dall'ambiente circostante. La ricezione radio può deteriorarsi durante il movimento. I televisori, l'illuminazione fluorescente o altri elettrodomestici possono provocare interferenze.
- Non esporre il prodotto alla luce solare diretta, poiché vi è il rischio di deformazione e/o funzionamento anomalo. Non esporre il prodotto a temperature superiori a 55°C.
- Alcune sostanze chimiche possono avere un effetto negativo sul prodotto.
- Non immergere il prodotto in acqua o alcun altro liquido.
- Pulire e disinfettare regolarmente l'archetto, gli auricolari e gli anelli di tenuta con un panno inumidito con acqua calda e detergente delicato, specialmente dopo un uso prolungato o se negli auricolari si è accumulata umidità. Usare esclusivamente detergente che non irrita la pelle. Lasciare asciugare prima dell'uso. Se si prevede di non usare il prodotto per un periodo di tempo prolungato, togliere le batterie.
- Un uso improprio e la mancata osservanza delle istruzioni possono dare luogo a lesioni alle persone e/o danni agli oggetti.
- La mancata osservanza delle istruzioni nella regolazione delle cuffie antirumore provocherà una notevole riduzione della protezione.
- Le coperture igieniche sulle tenute possono influenzare la capacità di smorzamento del rumore.

- Non rimuovere gli anelli di tenuta dal prodotto. L'archetto e gli anelli di tenuta non sono sostituibili.
- In caso di qualsiasi dubbio o per ottenere ulteriori informazioni, contattare il rivenditore.
- Le cuffie antirumore, e in particolare le tenute sugli auricolari, possono deteriorarsi in conseguenza dell'usura e pertanto occorre controllarle regolarmente per accertarsi che sigillino correttamente le orecchie.
- Al fine di garantire la funzionalità ottimale del prodotto, regolarlo e sottoporlo a manutenzione attenendosi alle istruzioni del fabbricante.
- La mancata osservanza delle istruzioni ridurrà in modo notevole la capacità delle cuffie antirumore.

Simboli

Descrizione dei simboli usati sul prodotto. Acquisire dimestichezza con tali descrizioni onde ridurre il rischio di lesioni alle persone e danni agli oggetti.

	Approvato in base alle relative direttive UE. Regolamento UE 2016/425.
	Smaltire come rifiuto elettrico.
	Simbolo del marchio
100400	Codice prodotto

Dati tecnici

<u>Peso (senza batteria)</u>	Circa 519 g
<u>Volume sonoro</u>	Max 82 dB (A)
<u>Bluetooth</u>	CSR4.0
<u>Portata</u>	10 m
<u>Dimensione dell'archetto</u>	S, M, L

Batteria ricaricabile

<u>Tempo di ricarica</u>	4 ore
<u>Capacità della batteria</u>	1500 mAh
<u>Durata della batteria</u>	20 ore
<u>Tecnica della batteria</u>	Ioni di litio

Banda di frequenza

<u>FM</u>	87,5 – 108 MHz
<u>DAB+</u>	174,928 – 239,200 MHz

Materiale

<u>Cuscinetto di tenuta</u>	Gomma siliconica
<u>Cuscinetto dell'archetto</u>	PU/gommapiuma
<u>Archetto</u>	Metallo

Valore di smorzamento				
Frequenza (Hz)	63	125	250	500
Mf (dB)	15,8	17,1	21,2	27,1
Sf (dB)	3,3	3,9	2,9	3,0

APV (dB)	12,5	13,2	18,3	24,1
Frequenza (Hz)	1000	2000	4000	8000
Mf (dB)	31,2	31,1	38,8	40,8
Sf (dB)	3,2	3,3	3,3	4,6
APV (dB)	28,0	27,8	35,5	36,2

SNR	29 dB
Valore H	30 dB
Valore M	26 dB
Valore L	20 dB

FM/DAB/DAB+ Radioricevitore (EN352-8)

Livello sonoro max. per FM	79.7 dB (A)
Livello sonoro max. per DAB	78,2 dB (A)
Livello sonoro max. per DAB+	78.1 dB (A)

BLUETOOTH (EN352-6/EN352-8)

Livello sonoro max. (HF)*	74.6 dB (A)
Livello sonoro max.(A2DP)*	77.9 dB (A)

Ingresso audio ((EN352-6/EN352-8)

77.5 dB(A) con tensione di ingresso di 0.7 dBm (840mV)

Funzione di limitazione SPL fornita

Si

74.6 db(A)	a -10 dB FS. Profilo Bluetooth HF (vivavoce)
77.9 dB(A)	a -10 dB FS. Profilo Bluetooth A2DP per intrattenimento

Tener presente quanto segue:

- Per ottenere le prestazioni ottimali, le cuffie antirumore devono essere indossate, regolate e sottoposte a manutenzione in base alle istruzioni del fabbricante.
- È importante indossare sempre le cuffie antirumore in ambienti circostanti rumorosi al fine di evitare il rischio di danni all'udito.
- Ispezionare regolarmente le cuffie antirumore per verificarne lo stato di efficienza.
- Se non ci si attiene alle raccomandazioni fornite in precedenza, si comprometterà seriamente la protezione fornita dalle cuffie antirumore.
- Questo prodotto è durevole per 2-3 anni di utilizzo in condizioni di funzionamento / applicazione adeguati, a meno che l'archetto / i cuscinetti auricolari o le cuffie non siano danneggiati.

Annotazioni

- Le cuffie antirumore forniscono limitazione del livello della pressione acustica del segnale audio e limitano il segnale dell'audio di intrattenimento a 77,9 dB (A).
- La qualità della ricezione radio potrebbe risultare leggermente distorta a seconda dell'ambiente circostante.
- Onde evitare danni alle cuffie e alla funzione radio, non sottoporle a una manipolazione grossolana.
- Queste cuffie antirumore sono dotate di una funzionalità audio di intrattenimento e un ingresso audio elettrico. L'utente deve controllare il corretto funzionamento prima dell'uso. Se si notano distorsioni o guasti, l'utente deve consultare il fabbricante per ottenere consigli.
- L'udibilità dei segnali di avvertimento in posti di lavoro specifici potrebbe risultare compromessa mentre si usa la funzionalità di intrattenimento.

- Questo prodotto è stato testato in base agli standard europei armonizzati EN352-1:2002, EN352-2-8:2008 e EN 352-6:2003 e rispetta i requisiti della direttiva sui DPI (UE) 2016/425..



Questo prodotto è stato testato in conformità agli standard europei armonizzati EN 301 489-1 v2.1.1: 2017, EN 301 489-17 V3.1.1: 2017, EN 300 328 V2.1.1: 2016, EN 62479: 2010, EN 60065 : 2014 ed è conforme ai requisiti delle apparecchiature radio nella direttiva 2014/53 / UE.

Garanzia

- In caso di guasti a carico del prodotto, contattare il fornitore.
- Tener presente che molti outlet chiederanno di produrre una prova di acquisto valida.
- Qualsiasi difetto che dovesse insorgere a causa di materiali difettosi o difetti nella lavorazione sarà sostituito, rimborsato o riparato gratuitamente ove possibile durante questo periodo dal rivenditore da cui l'unità è stata acquistata.
- La garanzia non copre danni accidentali, uso improprio, parti del cabinet, manopole o materiali di consumo.
- La garanzia sarà invalidata se il prodotto viene rivenduto o è stato danneggiato in conseguenza di una riparazione realizzata da persone non esperte.
- Le specifiche sono soggette a modifica senza alcun preavviso.

Nota: Queste regole della garanzia valgono esclusivamente per i prodotti acquistati in Norvegia. Nel proprio Paese potrebbero essere in vigore regole diverse.

Laboratorio di test:
NB 1974
PZT GmbH,
Bismarckstrasse 264B
D - 26389 Wilhelmshaven
Deutschland

Distributore:
Sahaga AS
Kallumveien 16
1524 Moss
Norway

Organismo di controllo: NB1974, PZT GmbH, Bismarckstrasse 264 B, D - 26389 Wilhelmshaven, Germania - Germania

Con la presente, Sahaga dichiara che la cuffia con apparecchiature radio WOLF Headset PRO è conforme alla Direttiva 2014/53 e al Regolamento (UE) 2016/425. Per ricevere il testo completo della Dichiarazione di conformità UE, si prega di vedere allegato DoC o

salg@sahaga.com

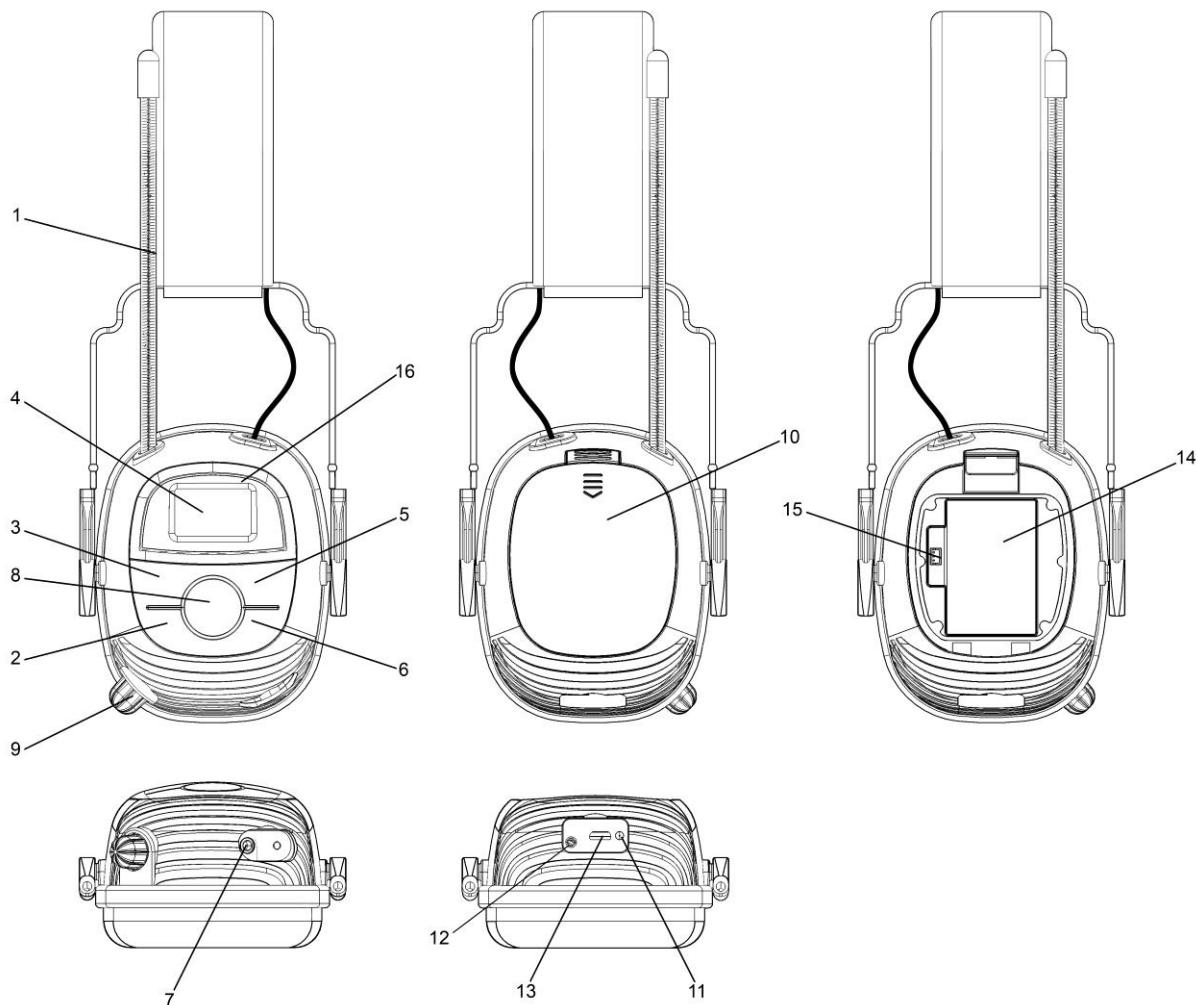
Manuel utilisateur WOLF Headset PRO

Numéro de modèle : 100400

Description du produit : Protection auditive avec RNT+ (radio numérique terrestre), FM, Bluetooth et entrée Aux-in

Commandes/boutons

- (1) Antenne
- (2) Réglage - (chanson précédente/recherche descendante)
- (3) Réglage + (chanson suivante/recherche montante)
- (4) Écran LCD
- (5) Menu (Menu/Info/Bluetooth)
- (6) Enter/Basses (Confirmer/Basses on/off)
- (7) Entrée Aux
- (8) Mode (RNT+/FM/Aux-in/Bluetooth)
- (9) Volume et marche/arrêt
- (10) Couvercle de la batterie
- (11) Voyant LED (le voyant LED rouge s'allume lorsque la batterie est en charge)
- (12) Micro
- (13) Port de charge
- (14) Logement de batterie
- (15) Connecteur d'alimentation
- (16) État de la batterie (indique le pourcentage de batterie)



Installation de la batterie

- Assurez-vous que le bouton On/Off est éteint.
- Ouvrez le couvercle de la batterie. Insérez la batterie propriétaire au lithium dans son logement et connectez le fil de la batterie au connecteur d'alimentation comme indiqué sur l'image. Fermez le couvercle de la batterie.
- Le premier signal d'alarme de la batterie retentit lorsque la charge de la batterie du casque tombe à 20%. Un son ultérieur "DO" sera émis toutes les 5 minutes jusqu'à ce que l'utilisateur recharge la batterie ou que toute l'énergie soit complètement déchargée.
- La batterie propriétaire au Lithium est fournie par le fabricant. L'utilisation d'autres types de batteries au lithium n'est pas recommandée.

Utilisation de la RNT+

- Allumez le casque en tournant le bouton marche/arrêt (on/off) (servant également au contrôle du volume) dans le sens horaire et réglez le volume au niveau souhaité.
- Le message « Le monde de la radio numérique » s'affiche sur l'écran LCD. Le casque est maintenant en mode RNT+ et lance le balayage automatique pour rechercher les stations de radio RNT+.
- Pendant le balayage, « Recherche... » s'affiche sur l'écran. Lorsqu'une station est trouvée, la fréquence RNT+, le nom et d'autres infos s'affichent. Appuyez sur Réglage - ou Réglage + pour écouter la station précédente ou suivante.
- Lorsque vous écoutez une station de radio, appuyez sur Menu pour afficher les informations du fournisseur de services.
- Pour enregistrer vos stations favorites, faites un appui long sur Menu, puis appuyez sur Réglage- ou Réglage +, l'écran LCD affiche « Enreg présel », puis appuyez sur la touche Enter, l'écran LCD affiche « Présel 1 vide », le 1 clignote. Appuyez sur Réglage - ou Réglage + pour sélectionner en séquence le numéro que vous souhaitez attribuer, puis appuyez sur « Enter » pour confirmer le numéro choisi. Au total, 10 stations RNT+ peuvent être enregistrées.
- Pour écouter les stations enregistrées, faites un appui long sur Menu. Puis appuyez sur Réglage - ou Réglage + pour sélectionner « Appel présel », appuyez sur Enter pour confirmer votre choix. Appuyez sur Réglage - ou Réglage + pour choisir vos stations préférées et appuyez sur « Enter » pour confirmer.
- Réglage manuel - Faites un appui long sur Menu, « Balayage auto » s'affiche à l'écran. Sélectionnez « Réglage manuel » en appuyant sur Réglage - ou Réglage +. La fréquence est affichée à l'écran, appuyez sur Réglage - ou Réglage + pour ajuster à la fréquence désirée, le balayage automatique est alors lancé pour rechercher toutes les stations sur la fréquence sélectionnée. Une fois le balayage terminé, une liste de stations s'affiche à l'écran et le casque commence automatiquement à diffuser la 1ère station. Pour écouter la station suivante, appuyez sur « Enter », puis appuyez sur Réglage - ou Réglage + pour sélectionner les stations.
- Balayage auto - Faites un appui long sur Menu, sélectionnez Balayage auto et appuyez sur Enter pour confirmer l'action. Lors du balayage complet, le système d'accord automatique commence à recevoir le signal RNT+. Si aucune station n'est trouvée, le message « Aucun service » s'affiche à l'écran.
- Fonction de mise à jour de l'heure et de la date : Le réglage de l'heure peut être ajusté automatiquement par synchronisation de l'heure et de la date de la radio écoutée en mode RNT.

Utilisation du Bluetooth

- Activez la fonction Bluetooth de votre téléphone portable ou d'un autre périphérique Bluetooth externe.
- Recherchez « WOLF Headset PRO » sur votre appareil et effectuez l'association. Une fois les appareils associés, le message « Bluetooth connecté » s'affiche sur l'écran LCD.

- Appuyez sur Menu pour lire/mettre en pause la musique ou répondre à un appel. Appuyez sur Réglage + ou Réglage - pour faire avancer/reculer les chansons. Pour rejeter un appel, faites un appui long sur Réglage - pendant 2 secondes.
- Recomposition, un appui long sur Réglage + pendant 2 secondes recompose le dernier numéro appelé. Lorsque vous recevez un appel via la fonction Bluetooth, le son FM/RNT+/AUX se coupe. Toutes les fonctions du casque sont désactivées jusqu'à la fin de l'appel.
- Après l'association des appareils, l'utilisateur peut recevoir et répondre à un appel en mode Radio et Aux-in.

Utilisation de la FM

- Appuyez sur le bouton « Mode » pour passer en FM. Appuyez sur « Enter » pour confirmer l'action. Faites un appui long sur Réglage - ou Réglage + pour lancer la recherche. Arrêtez la recherche lorsqu'un signal clair est reçu.
- Faites une recherche manuelle en appuyant sur Réglage - ou Réglage +.
- Pour consulter les informations sur la station, appuyez sur Menu si un message RDS est disponible auprès du fournisseur de services.
- Pour enregistrer et écouter vos stations préférées, reportez-vous aux étapes d'enregistrement des stations RNT+ plus haut.
- Appuyez sur Enter, le mode Audio est sélectionné en Mono/Auto, uniquement pour le mode FM.

Bass Boost (renforcement des basses)

- Pour améliorer les basses, appuyez sur Enter, « Basses » apparaît à l'écran. Pour désactiver la fonction Bass Boost, appuyez à nouveau sur Enter jusqu'à ce que « Basses » disparaisse de l'écran.

Prise auxiliaire (Aux-in)

- Appuyez sur « Mode » pour sélectionner AUX. Appuyez sur « Enter » pour confirmer. Pour connecter des appareils audio, branchez un câble muni d'une fiche jack 3,5 mm dans le port AUX du casque de protection auditive. Branchez l'autre extrémité du câble dans le périphérique audio externe et démarrez la lecture.

Ajustement du confort du casque

17. Portez le casque de façon à avoir l'oreillette avec les commandes à droite.
18. L'arceau au sommet du crâne, placez les oreillettes de façon à ce qu'elles englobent complètement vos oreilles. La protection auditive n'est assurée que lorsque l'arceau est placé au sommet du crâne.
19. Faites glisser les oreillettes vers le haut ou vers le bas pour ajuster le confort.
20. Assurez-vous que les coussinets sont bien serrés contre votre tête, sans gêne d'autres objets entre l'oreillette et votre tête (tels que des crayons ou des branches de lunettes). Ajustez les oreillettes juste assez pour accueillir les oreilles. Ne déformez pas l'arceau.

Réinitialisation aux paramètres d'usine

- Toutes les stations enregistrées et autres paramètres seront supprimés.
- Appuyez sur le bouton Menu et maintenez-le enfoncé, puis appuyez sur Réglage - ou Réglage + pour sélectionner « Réinit usine ». Appuyez sur Enter.

Version du logiciel

- Appuyez sur Menu, puis sur Réglage - ou Réglage + pour trouver la « Version du logiciel ». Écrivez-le ici :

_____.

Espace de rangement

• Ne stockez pas le protecteur auditif à des températures supérieures à 55 ° C, par exemple sur un tableau de bord ou un rebord de fenêtre. Ne stockez pas le protecteur auditif à une température inférieure à -20 ° C. Dans des conditions de froid extrême, réchauffez le protecteur auditif avant de l'utiliser.




Consignes de sécurité

- Cette protection auditive est conçue pour protéger votre ouïe des bruits dangereux.
- Inspectez régulièrement l'appareil à la recherche d'éventuels dommages et vérifiez son bon fonctionnement. En cas de dommages ou d'usure, la protection offerte par les oreillettes peut s'en trouver altérée. En cas de craquelures, de coupures ou d'usure des coussinets, ou s'ils ont été exposés à des produits chimiques, ils doivent être retirés et remplacés. Les oreillettes, et plus particulièrement les anneaux d'étanchéité, peuvent se détériorer avec le temps et doivent toujours être inspectées avant utilisation afin de s'assurer qu'ils ne sont pas craquelés ou qu'ils ne laissent entrer aucun bruit.
- La mise en place d'une housse d'hygiène sur les coussinets peut affecter les propriétés acoustiques des oreillettes.
- Le non-respect de ces consignes réduit fortement la protection offerte par les oreillettes.
- Les oreillettes anti-bruit limitent le niveau de pression acoustique du volume sonore à 82 dB (A).
- Une utilisation de l'appareil pendant de longues périodes dans des environnements impliquant des températures élevées ou une humidité relative élevée est susceptible d'entraîner des dommages.
- Un manque de précaution lors de la manipulation (chocs, coups, ...) est susceptible de réduire la capacité de protection et/ou d'endommager la radio.
- L'appareil comporte une fonction radio et peut être connecté à des appareils externes. Vérifiez toujours son bon fonctionnement avant d'utiliser l'appareil. En cas de dommage ou de mauvais fonctionnement, contactez le distributeur où vous avez acheté le produit.
- L'utilisation de la fonction audio peut rendre plus difficile l'écoute des signaux d'avertissement sur les sites de travail.
- Le niveau sonore émis par la fonction audio peut dépasser le niveau sonore autorisé.
- La qualité de la réception radio est influencée par l'environnement. La réception radio peut être altérée lorsque vous êtes en mouvement. Les téléviseurs, les appareils d'éclairage fluorescents ou autres appareils électriques peuvent causer des interférences.
- Ne pas exposer le produit à la lumière directe du soleil, il existe un risque de déformation et/ou de dysfonctionnement. N'exposez pas le produit à des températures supérieures à 55 °C.
- Certains produits chimiques peuvent endommager l'appareil.
- Ne pas immerger le produit dans l'eau ou tout autre liquide.
- Nettoyez et désinfectez régulièrement l'arceau, les oreillettes et les anneaux d'étanchéité à l'aide d'un chiffon imbibé d'eau tiède et de détergent doux, tout particulièrement après une utilisation prolongée ou en cas d'humidité dans les oreillettes. Utilisez uniquement un détergent non irritant pour la peau. Laissez sécher avant utilisation. En cas d'inutilisation prévue de l'appareil pendant une période prolongée, retirez la batterie.
- Une mauvaise utilisation et le non-respect des consignes sont susceptibles d'entraîner des risques de blessure et/ou des dommages matériels.
- Le non-respect des consignes d'ajustement des oreillettes entraîne une forte réduction de la protection.
- La mise en place de housses d'hygiène sur les oreillettes peut significativement affecter la capacité d'atténuation du bruit.
- Ne retirez pas les anneaux d'étanchéité du produit. L'arceau et les anneaux d'étanchéité ne sont pas remplaçables.
- En cas de questions ou pour plus d'informations, nous vous invitons à contacter votre distributeur.

- Les oreillettes, et en particulier les anneaux, peuvent se détériorer sous l'effet de l'usure et doivent donc être régulièrement inspectés à la recherche de craquelures et il convient de vérifier leur bon ajustement sur les oreilles.
- Pour tirer le meilleur de ses fonctionnalités, réglez et entretenez l'appareil conformément aux consignes du fabricant.
- Le non-respect des consignes est susceptible de réduire considérablement la capacité de protection auditive.

Symboles

Description des symboles utilisés sur le produit. Familiarisez-vous avec ces symboles afin de réduire les risques de blessures et de dommages matériels.

	Approuvé conformément aux directives pertinentes de l'UE. (UE) 2016/425
	Éliminer en tant que déchet électrique.
	Symbole de la marque
100400	Numéro du produit

Données techniques

Poids (sans batterie) env. 519 g

Volume sonore	82 dB (A) max.
Bluetooth	CSR4.0
Portée	10 m
Tailles d'arceau	S,M,L

Batterie rechargeable

Temps de charge	4 h
Capacité de la batterie	1500 mAh
Autonomie de la batterie	20 h
Type de batterie	Li-Ion

Gammes de fréquences

FM	87.5 – 108 MHz
RNT+	174.928 – 239.200 MHz

Matériau

Coussinet d'étanchéité	Caoutchouc silicone
Coussin d'arceau	PU/mousse caoutchouc
Arceau	Métal

Valeur d'atténuation				
Fréquence (Hz)	63	125	250	500
Atténuation moy (dB)	15,8	17,1	21,2	27,1
Écart-type (dB)	3,3	3,9	2,9	3,0
APV (dB)	12,5	13,2	18,3	24,1

Fréquence (Hz)	1000	2000	4000	8000
Atténuation moy (dB)	31,2	31,1	38,8	40,8

Écart-type (dB)	3,2	3,3	3,3	4,6
APV (dB)	28,0	27,8	35,5	36,2

SNR	29 dB
H	30 dB
M	26 dB
L	20 dB

Récepteur radio FM/RNT/RNT+ (EN352-8)

Niveau sonore max. pour FM	79.7 dB (A)
Niveau sonore max. pour RNT	78.2 dB (A)
Niveau sonore max. pour RNT+	78.1 dB (A)

BLUETOOTH (EN352-6/EN352-8)

Niveau sonore max. (HF)*	74.6 dB (A)
Niveau sonore max. (A2DP)*	77.9 dB (A)

Entrée audio ((EN352-6/EN352-8)

77.5 dB(A) à une tension d'entrée de 0.7 dBm (840mV)

Fonction de limitation SPL

Oui

74.6 dB(A) à -10 dB FS. Profil Bluetooth HF (Mains libres)

77.9 dB(A) à -10 dB FS. Profil Bluetooth A2DP pour audio

À noter

- Pour de meilleures performances, les oreillettes doivent être ajustées et entretenues conformément aux consignes du fabricant.
- Il est important de porter correctement les oreillettes en tout temps lorsque vous êtes dans un environnement bruyant afin d'éviter tout risque de dommage auditif.
- Inspectez les oreillettes régulièrement pour vérifier leur état.
- En cas de non-respect des recommandations ci-dessus, la protection offerte par les oreillettes est fortement diminuée.
- Ce produit est durable pendant 2 à 3 ans d'utilisation dans des conditions d'utilisation / d'application appropriées, sauf si le bandeau / les coussinets d'oreille ou le casque sont endommagés.

Remarques

- Les oreillettes permettent de limiter le niveau de pression acoustique du signal audio et limite le volume à 77,9 dB (A).
- La qualité de la réception radio peut être légèrement déformée en fonction de l'environnement.
- Pour éviter d'endommager le casque et la fonction radio, ne le soumettez pas à des manipulations trop brutales.
- Les oreillettes intègrent une installation audio et une entrée audio impliquant un courant électrique. Le porteur doit vérifier le bon fonctionnement avant l'utilisation. En cas de distorsion ou de défaillance, le porteur doit se référer aux conseils du fabricant.
- L'audibilité des signaux d'avertissement dans des environnements de travail spécifiques peut être altérée lors de l'utilisation de la fonction audio.
- Ce produit a été testé conformément aux normes européennes harmonisées EN352-1: 2002, EN352-2-8: 2008 et EN 352-6: 2003 et satisfait aux exigences de la directive EPI (UE) 2016/425.



Ce produit a été testé conformément aux normes européennes harmonisées EN 301 489-1 v2.1.1: 2017, EN 301 489-17 V3.1.1: 2017, EN 300 328 V2.1.1: 2016, EN 62479: 2010, EN 60065 : 2014 et est conforme aux exigences des équipements radio de la directive 2014/53 / UE.

Garantie

- En cas de panne, veuillez contacter votre fournisseur.
- Rappelez-vous que de nombreux points de vente exigent la présentation d'une preuve d'achat valide.
- Tout défaut résultant d'un défaut de matériau ou de fabrication entraînera le remplacement, le remboursement ou la réparation (si celle-ci est possible) gratuite de l'appareil pendant la période de garantie par le revendeur auprès duquel vous avez acheté l'appareil.
- La garantie ne couvre pas les dommages consécutifs à un accident, à une mauvaise utilisation, les éléments de structure, les boutons ou les pièces d'usure.
- La garantie est annulée si le produit est revendu ou a été endommagé suite à une réparation inappropriée.
- Les caractéristiques techniques sont susceptibles d'être modifiées sans préavis.

Remarque : Ces règles de garantie ne s'appliquent qu'aux produits achetés en Norvège, des règles différentes s'appliquent dans votre pays.

Laboratoire de test :
NB 1974
PZT GmbH,
Bismarckstrasse 264B
D - 26389 Wilhelmshaven
Deutschland

Distributeur :
Sahaga AS
Kallumveien 16
1524 Moss
Norvege

Organisme de surveillance: NB1974, PZT GmbH, Bismarckstrasse 264 B, D - 26389 Wilhelmshaven, Allemagne - Allemagne

Par la présente, Sahaga déclare que l'oreillette avec équipement radio WOLF Headset PRO est conforme à la Directive 2014/53 et au Règlement (UE) 2016/425. Pour recevoir le texte intégral de la déclaration de conformité de l'UE, s'il vous plaît voir ci-joint DoC ou salg@sahaga.com

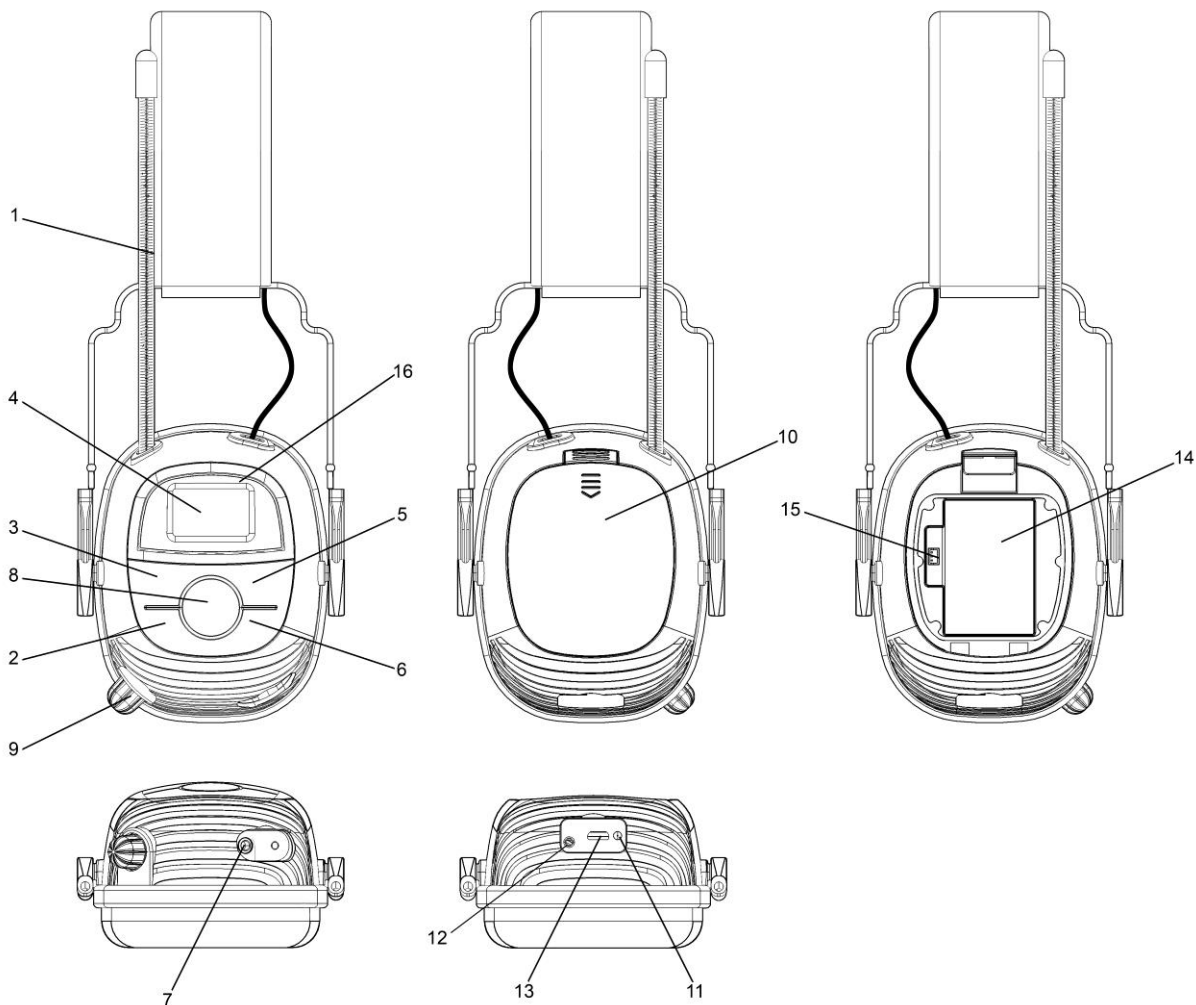
WOLF Headset PRO-gebruikshandleiding

Modelnummer: 100400

Productbeschrijving: Gehoorbescherming met DAB+, FM bluetooth en aux-in

Bedieningselementen

- (1) Antenne
- (2) Afstemknop - (Omlaag/Vorig liedje)
- (3) Afstemknop + (Omhoog/Volgend liedje)
- (4) LCD-scherm
- (5) Menu (Menu/Info/Bluetooth)
- (6) Enter/Bas (Bevestigen/Bas aan/uit)
- (7) Aux in
- (8) Modus (DAB+/FM/Aux-in/Bluetooth)
- (9) Volume en In- en uitschakelen
- (10) Batterijklepje
- (11) Led-indicator (Het rode ledlampje brandt wanneer de batterij wordt opgeladen)
- (12) Microfoon
- (13) Oplaadpoort
- (14) Batterijcompartiment
- (15) Voedingsaansluiting
- (16) Batterijstatus (toont percentage batterijvermogen)



Plaatsing van de batterij

- Zorg dat de aan-uitknop in de stand 'uit' staat.
- Open het batterijklepje. Leg de speciale lithiumbatterij in het compartiment en steek het batterijsnoer in de juiste richting in de voedingsaansluiting zoals getoond in de afbeeldingen om te zorgen dat de voeding is aangesloten. Sluit het batterijklepje.
- Batterij 1ste waarschuwingsgeluid is hoorbaar wanneer de batterijcapaciteit van de headset daalt tot 20%. Het volgende "DO" -geluid wordt elke 5^e minuut gevraagd totdat de gebruiker de batterij opnieuw oplaadt of alle stroom volledig is ontladen.
- De fabrikant levert de speciale lithiumbatterij. Andere types lithiumbatterijen worden afgeraden.

Gebruik met DAB+

- Schakel de gehoorbescherming in door de aan-uitknop (die is gecombineerd met volumeregeling) met de klok mee te draaien en stel het volume in op het door u gewenste niveau.
- "Welkom bij digitale radio" wordt weergegeven op het LCD-scherm. De koptelefoon is nu in DAB+-modus ingesteld en begint met automatisch scannen om DAB+-radiozenders te zoeken.
- Tijdens het scannen wordt "Zoekt..." weergegeven op het scherm. Als een zender is gevonden, worden de DAB+-frequentie, naam en andere berichten weergegeven op het scherm. Druk op Afstemmen - of Afstemmen + om naar de vorige of volgende zender te luisteren.
- Druk op Menu om de informatie van de serviceprovider te zien terwijl u luistert naar de radiozender.
- Om uw favoriete zenders op te slaan, drukt u lang op Menu en drukt u vervolgens op Afstemmen - of Afstemmen +. Op het LCD-scherm wordt "Voorkeuzezender opslaan" weergegeven. Druk nu op de Enter-knop. Op het LCD-scherm wordt weergegeven "Voorkeuzezender Leeg 1" met een knipperende 1. Druk op Afstemmen - of Afstemmen + om het nummer te selecteren dat u wilt opslaan en druk op "Enter" om het nummer van de voorkeuzezender te bevestigen. Er kunnen in totaal 10 voorkeuzezenders voor DAB+-radio worden opgeslagen.
- Druk lang op Menu om naar voorkeuzezenders te luisteren. Druk vervolgens op Afstemmen + of Afstemmen - om "Voorkeuzezender oproepen" te selecteren en druk op "Enter" om dit te bevestigen. Druk op Afstemmen - of Afstemmen + om uw favoriete zenders te kiezen en druk op "Enter" om ze te bevestigen.
- Handmatig afstemmen - Druk lang op Menu, op het scherm wordt "Automatisch scannen" weergegeven. Selecteer "Handmatig afstemmen" door Afstemmen - of Afstemmen + in te drukken. De frequentie wordt zichtbaar op het scherm. Druk op Afstemmen - of Afstemmen + om de radio af te stemmen op de gewenste frequentie. Automatisch scannen wordt nu gestart om alle zenders met de door u gekozen frequentie te zoeken. Als het apparaat klaar is met scannen, wordt een lijst met zenders weergegeven op het scherm en begint de gehoorbescherming automatisch met afspelen van de eerste zender. Druk op "Enter" om naar het volgende station te luisteren, en druk vervolgens op Afstemmen - of Afstemmen + om de zenders te selecteren.
- Automatisch scannen - Houd menu lang ingedrukt, selecteer Automatisch scannen en druk op Enter om de instelling te bevestigen. Volledige scan van Automatisch afstemmen begint het DAB+-signaal te ontvangen. Als er geen zenders worden gevonden, wordt "Geen service" weergegeven op het display.
- Functie Tijd bijwerken: Tijdstelling kan zo worden ingesteld, dat radio-tijd en -datum automatisch worden gesynchroniseerd in de DAB-modus.

Bluetooth gebruiken

- Schakel de bluetooth-functie op uw mobiele telefoon of een ander extern bluetooth-apparaat in.

- Zoek 'WOLF Headset PRO' op uw bluetooth-apparaat en koppel de apparaten. Na de koppeling wordt "Verbonden via bluetooth" weergegeven op het LCD-scherm.
- Druk op Menu om de muziek af te spelen of te pauzeren of om een oproep te beantwoorden. Tik op Afstemmen + of Afstemmen - om liedjes vooruit of achteruit te spoelen. Houd Afstemmen - 2 seconden ingedrukt om een oproep te verwerpen.
- Houd Afstemmen + 2 seconden ingedrukt om het laatst gekozen nummer opnieuw te kiezen. Als u via de bluetooth-functie een oproep ontvangt, wordt het geluid van FM/DAB+/AUX weggedrukt. Zelfs als u op Modus drukt, wordt niets geactiveerd tot het mobiele gesprek is beëindigd.
- Na het koppelen ontvangt de gebruikers nog steeds oproepen en kan hij deze beantwoorden terwijl het apparaat in de modi Radio en Aux-in.

FM gebruiken

- Druk op de knop "Modus" om naar FM te gaan. Druk op "Enter" om de instelling te bevestigen. Houd Afstemmen - of Afstemmen + lang ingedrukt om te beginnen met scannen. Stop met scannen wanneer een duidelijk signaal wordt ontvangen.
- Zoek handmatig door Afstemmen - of Afstemmen + kort in te drukken.
- Om de informatie over de zender te zien, drukt u op RDS-berichten als deze beschikbaar zijn van uw serviceprovider.
- Om uw favoriete zenders op te slaan en er naar te luisteren volgt u de hierboven genoemde stappen voor het instellen van vooraf gekozen DAB+-stations.
- Druk kort op de toets Enter, gekozen audiomodus: naar Mono/Auto, dit geldt uitsluitend voor de FM-modus.

Basversterking

- Om de bas te versterken drukt u op Enter. Op het display wordt "Bas" weergegeven. Om de functie Basversterking te deactiveren, drukt u nogmaals op Enter totdat "Bas" niet meer op het scherm wordt weergegeven.

Aux-in-stekker

- Druk op de knop "Modus" om AUX te selecteren. Druk op "Enter" om te bevestigen. Steek een 3,5mm-kabel in de AUX-poort van de gehoorbescherming om audio-apparaten aan te sluiten. Steek het andere einde van de kabel in het externe audio-apparaat en begin met afspelen.

De koptelefoon instellen

21. Zet de koptelefoon op met het bedieningspaneel over uw rechter oor.
22. Draag de koptelefoon met de hoofdband over uw kruin en plaats de oordoppen zo dat ze uw oren volledig omsluiten. De oordoppen bieden gehoorbescherming wanneer ze worden gedragen met de hoofdband over de kruin.
23. Schuif de oordoppen voorzichtig omhoog of omlaag tot ze stevig en comfortabel zitten.
24. Zorg dat de polsters dicht tegen uw hoofd zitten en dat er geen ruis ontstaat door vreemde objecten tussen de oordop en uw hoofd (zoals een potlood of de pootjes van uw bril). Trek de oordoppen zo ver uit elkaar dat uw oren vrijkomen. Verander de vorm van de hoofdband niet.

Fabrieksinstellingen resetten

- Alle voorkeuzezenders en andere instellingen worden gewist.
- Druk de knop Menu in of druk op Afstemmen - of Afstemmen + om naar "Fabrieksinstellingen" te gaan. Druk op Enter.

Softwareversie

- Druk op Menu en vervolgens op Afstemmen - of Afstemmen + om naar 'Softwareversie' te gaan. Schrijf deze hier op:

_____.

Opslagruimte

- Bewaar de gehoorbeschermer niet bij temperaturen boven + 55 ° C, bijvoorbeeld op een dashboard of vensterbank. Bewaar de gehoorbeschermer niet bij een temperatuur lager dan -20 ° C. Onder extreem koude omstandigheden, de gehoorbeschermer warm maken voor gebruik.

Veiligheidsinstructies

- Deze gehoorbescherming is ontworpen om uw gehoor te beschermen tegen gevaarlijke geluiden.
- Controleer regelmatig of het product onbeschadigd is en correct werkt. Versleten of beschadigde oordoppen kunnen leiden tot minder bescherming. Als de oordoppen gebarsten zijn, als de afdichting versleten of kapot is, of als de oordoppen zijn blootgesteld aan chemicaliën, moeten ze worden weggedaan en vervangen. De oordoppen, en met name de afdichting, kunnen met de tijd slechter worden en moeten altijd voor gebruik worden onderzocht om te controleren of ze niet gebarsten zijn of geluid doorlaten.
- Het bevestigen van hygiënische bescherming aan de oorpolsters kan de akoestische eigenschappen van de oorkappen beïnvloeden.
- Niet opvolgen van deze instructies zal de bescherming die de oordoppen bieden ernstig verlagen.
- De oordoppen beperken het geluidsdrukniveau voor omgevingsgeluid tot 82 dB(A).
- Gebruik het product niet gedurende lange perioden bij hoge temperaturen of hoge relatieve vochtigheid, dit kan de radio beschadigen.
- Voorkom dat het product valt, dit kan het beschermende vermogen verminderen en/of de radio beschadigen.
- Het product heeft een radiofunctie en kan worden aangesloten op audio-apparaten voor achtergrondmuziek. Controleer altijd of het product goed werkt, voordat u het gebruikt. Neem contact op met de winkel waar u het product hebt gekocht, als het product beschadigd is of niet goed werkt.
- Het gebruik van de ontspanningsfunctie kan het moeilijker maken waarschuwingssignalen op de werkplek te horen.
- Het uitgezonden geluidsniveau van de ontspanningsfunctie kan het toegestane geluidsniveau overschrijden.
- De kwaliteit van de radio-ontvanger wordt beïnvloed door de omgeving. De radio-ontvangst kan minder zijn als u zich beweegt. Televisies, TL-bakken of andere elektrische apparaten kunnen ruis veroorzaken.
- Stel het product niet bloot aan zonlicht. Dit kan leiden tot vervorming en/of slecht functioneren. Stel het product niet bloot aan temperaturen van 55°C of hoger.
- Sommige chemicaliën kunnen een negatief effect op het product hebben.
- Dompel het product niet onder in water of een andere vloeistof.
- Reinig en desinfecteer de hoofdband, oordoppen en afdichtingen regelmatig met een mild schoonmaakmiddel, vooral na langdurig gebruik of als zich vocht heeft opgehoopt in de oordoppen. Gebruik uitsluitend schoonmaakmiddel dat de huid niet irriteert. Laat de koptelefoon opdrogen voordat u hem gebruikt. Verwijder de batterijen als u het product langere tijd niet gaat gebruiken.
- Incorrect gebruik en niet opvolgen van de instructies kan leiden tot persoonsverwondingen en/of materiële schade.
- Niet opvolgen van de instructies voor het instellen van de oordoppen leidt tot merkbaar verminderde prestaties.
- Hygiëne-afdekkingen op de afdichtingen kan het geluidsdempend vermogen beïnvloeden.

- Verwijder de afdichtringen niet van het product. De hoofdband en de afdichtringen kunnen niet worden vervangen.
- Neem contact op met uw dealer als u vragen heb of meer informatie wilt ontvangen.
- Oordoppen, en met name de afdichtingen op de doppen, kunnen door slijtage in kwaliteit achteruitgaan en moeten daarom regelmatig worden gecontroleerd op barsten en om te zorgen dat ze nog goed om de oren aansluiten.
- Stel het product zo af als is vermeld in de instructies van de fabrikant voor de beste functionaliteit en onderhoud het product ook volgens deze instructies.
- Niet opvolgen van de instructies zal het beschermend vermogen van de oordoppen ernstig verlagen.

Symbolen

Beschrijving van op het product gebruikte symbolen. Zorg dat u deze symbolen kent om het risico van persoonsverwonding of materiële schade te verkleinen.

	Goedgekeurd volgens de relevante EU-richtlijnen (EU) 2016/425
	Materiaal inleveren als elektrisch afval.
	Merksymbool
100400	Itemnummer

Technische gegevens

Gewicht (zonder batterij)	ca. 519 g
Gelu8idsvolume	max. 82 dB(A)
Bluetooth	CSR4.0
Bereik	10 m
Maten hoofdband	S,M,L

Oplaadbare batterij

Oplaadtijd	4 u
Batterijvermogen	1500 mAh
Batterijduur	20 u
Batterijtechniek	Li-Ion

Frequentiebereik

FM	87,5 – 108 MHz
DAB+	174.928 – 239.200 MHz

Materiaal

Afdichtpolsters	Siliconenrubber
Polster hoofdband	PU/schuimrubber
Hoofdband	Metaal

Dempingswaarde				
Frequentie (Hz)	63	125	250	500
Mf (dB)	15,8	17,1	21,2	27,1
Sf (dB)	3,3	3,9	2,9	3,0

APV (dB)	12,5	13,2	18,3	24,1
Frequentie (Hz)	1000	2000	4000	8000
Mf (dB)	31,2	31,1	38,8	40,8
Sf (dB)	3,2	3,3	3,3	4,6
APV (dB)	28,0	27,8	35,5	36,2

SNR	29 dB
H-waarde	30 dB
M-waarde	26 dB
L-waarde	20 dB

FM/DAB/DAB+-radio-ontvanger (EN352-8)

Max. geluidsniveau voor FM	79.7 dB (A)
Max. geluidsniveau voor DAB	78.2 dB (A)
Max. geluidsniveau voor DAB+	78.1 dB (A)

BLUETOOTH (EN352-6/EN352-8)

Max. geluidsniveau (HF)*	74.6 dB (A)
Max. geluidsniveau (AsDP)*	77.9 dB (A)

Audio-ingang (EN352-6/EN352-8)

77.5 dB(A) bij 0.7 dBm (840mV)ingangsspanning

SPL-beperkingsfunctie meegeleverd

Ja

74.6 db(A)	bij -10 dB FS. Bluetoothprofiel HF (Handsfree)
77.9 dB(A)	bij -10 dB FS. Bluetoothprofiel A2DP voor ontspanning

Opmerking:

- voor de beste prestaties moeten de oordoppen worden gedragen, afgesteld en onderhouden volgens de instructies van de fabrikant.
- Het is belangrijk de oordoppen in lawaaige omgevingen altijd te dragen om het risico van gehoorschade te voorkomen.
- Controleer de oordoppen regelmatig op bruikbaarheid.
- Als de hierboven gegeven aanbevelingen niet worden opgevolgd, wordt de bescherming door de oordoppen aanzienlijk verminderd.
- Dit product is bij correct gebruik / gebruik 2-3 jaar duurzaam, tenzij de hoofdband / oorkussens of de headset beschadigd is.

Opmerkingen

- De oordoppen bieden beperking tegen het geluidsdrukkniveau van audiosignalen en beperken het achtergrondgeluidsniveau tot 77,9 dB(A).
- De kwaliteit van de radio-ontvangst kan enigszins vervormd zijn, afhankelijk van de omgeving.
- Om schade aan de koptelefoon en radiofunctie te voorkomen, moet u er niet ruw mee omgaan.
- Deze oordoppen zijn voorzien van een ontspanningsaudiofaciliteit en elektrische audio-ingang. De drager dient het correcte gebruik te controleren voordat hij het apparaat gebruikt. Als vervorming of niet werken wordt vastgesteld, moet de drager contact opnemen met de adviesdienst van de fabrikant.
- De hoorbaarheid van waarschuwingssignalen op bepaalde werkplekken kan verminderd worden tijdens het gebruik van de ontspanningsfunctie.

- Dit product is getest in overeenstemming met de geharmoniseerde Europese normen EN352-1:2002, EN352-2-8:2008 en EN 352-6:2003 en voldoet aan de vereisten van PBM-richtlijn (EU) 2016/425.



Dit product is getest in overeenstemming met geharmoniseerde Europese normen EN 301489-1 v2.1.1: 2017, EN 301489-17 V3.1.1: 2017, EN 300328 V2.1.1: 2016, EN 62479: 2010, EN 60065 : 2014 en voldoet aan de vereisten voor radioapparatuur in de richtlijn 2014/53 / EU.

Garantie

- Neem contact op met uw leverancier als het product niet werkt.
- Houd er rekening mee dat veel winkels een geldig aankoopbewijs zullen vragen.
- Eventuele defecten als gevolg van slecht materiaal of slecht vakmanschap worden tijdens deze periode waar mogelijk vervangen, vergoed of gratis gerepareerd door de dealer waar u het apparaat hebt gekocht.
- De garantie dekt geen schade die niet opzettelijk is ontstaan, verkeerd gebruik, onderdelen van de behuizing, knoppen en verbruiksmiddelen.
- De garantie wordt ongeldig als het product wordt doorverkocht of beschadigd is door onoordeelkundige reparatie.
- De specificaties kunnen zonder melding vooraf worden gewijzigd.

Opmerking: Deze garantieregels zijn alleen van toepassing op producten die zijn gekocht in Noorwegen. In uw land kunnen andere regels gelden.

Certificatie-instelling:
NB 1974
PZT GmbH,
Bismarckstrasse 264B
D - 26389 Wilhelmshaven
Deutschland

Distributeur:
Sahaga AS
Kallumveien 16
1524 Moss
Noorwegen

Controlerende instantie: NB1974, PZT GmbH, Bismarckstrasse 264 B, D - 26389 Wilhelmshaven, Duitsland - Duitsland

Sahaga verklaart hierbij dat de gehoorbeschermer met radioapparatuur WOLF Headset PRO voldoet aan Richtlijn 2014/53 en Verordening (EU) 2016/425. Als u de volledige tekst van de EU-conformiteitsverklaring wilt ontvangen, zie bijgevoegd DoC, of salg@sahaga.com

Creation Date: July 30th 2019

Revision No.: 10.02.0

Revision Date: May 25th 2021