

MOUNTING INSTRUCTION

SHELVING SYSTEM PLUG-IN (PART ONE)

Plug-in Shelving system is a version of our shelving system, where CC measuring and assembly of the shelves is made easier. The Wallband is used as spacer between the Wallbands and the Shelves are easily clicked into the Brackets using a special designed Plug-set. The predetermined width makes this an ideal system for standard solutions specially like side boards or traditional book shelves.

You need the following to assemble your solution:

- Screwdriver/drilling machine
- Leveller

Since the section widths in our Plug-in system are predetermined (640 mm) we recommend a maximum load (evenly placed) on each melamine shelf in each section of a maximum 30 kilos.

MOUNTING WALLBANDS

Start by positioning the first Wallband. Fasten the wallband with a screw in the upper hole.



Get a correct 'square' on the wall.



Rotate the wallband, using it as a "spacer", to get the correct positioning for the other wallbands.

Mark the hole and let the wallband rotate back.

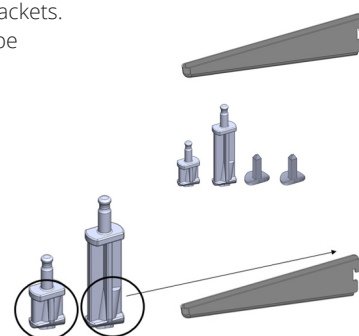
For the "large solution" the middle hole in the wallband works as "marker" for the middle wallband in the solution.

Fasten the second wallband in the upper hole and then make sure that both wallbands are straight, using a leveller (or by ensuring that the CC measurement is 640 mm).



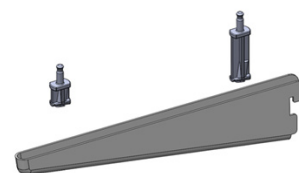
MOUNTING THE BRACKET PLUGS

Attach the plugs into the brackets. The following parts should be assembled.

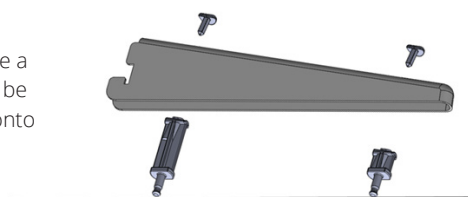


The "tower" should lean towards the back of the bracket.

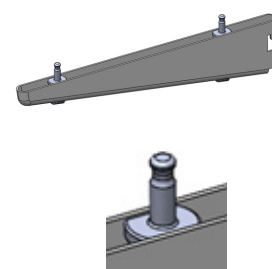
Place the pin into the bracket – the short pin for the front of the bracket and the longer pin for the rear part of the bracket.



Turn the bracket and use a firm support in order to be able to attach the plug onto the pin.



The "plate" of the pin should be level with the upper part of the bracket when assembled correctly.



MOUNTING INSTRUCTION

SHELVING SYSTEM PLUG IN (PART TWO)

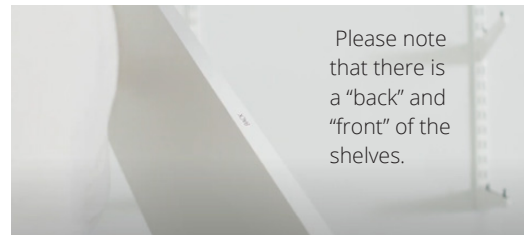
BRACKETS & SHELVES

ATTACH THE BRACKETS

Attach the Brackets. Make sure that they are placed in the corresponding slots. A tip is to place the brackets so they cover the screw holes in the wallband.



MOUNT THE SHLEVES



Assemble the shelves, so that they can click onto the bracket pins.



Press the shelves firmly downwards, so they "plug in".