



LeMans II

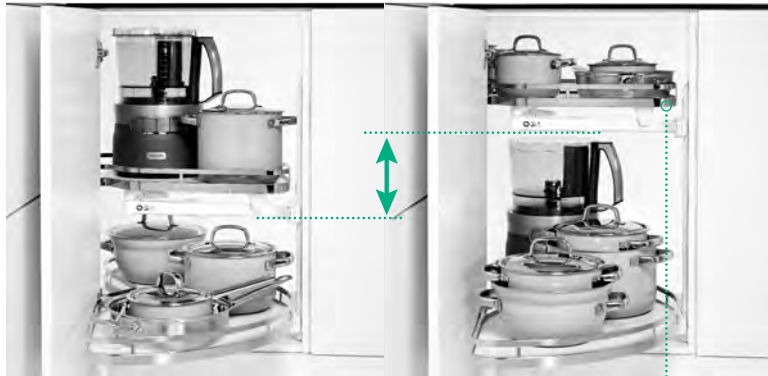
Optimal functionality –  
**for fascinating ease of use.**

ClickFixx for fast, precision assembly



 ClickFixx

Damped self-closing (option)



Height-adjustable trays



With the door opened only 85°, the trays will swing out completely

## LeMans II – carrying on a long tradition.

**What does the LeMans racetrack have** in common with the LeMans intelligent corner unit solution from Kesseböhmer? It's the instantly recognisable shape and function. On the track and in the kitchen efficiency, innovation and high emotional content are always in the foreground.

LeMans II is the second generation of a successful product – with new, improved features and innovations. Kesseböhmer's intelligent corner unit system is once again setting standards with new engineering quality and fascinating movement sequences.

### Product features

- A door opening angle of just 85° allows the trays to swing out completely
- 25 kg load per tray
- Height-adjustable trays
- With ClickFixx for fast, precise, toolless assembly
- Damped self-closing (option)

 LeMans II

## LeMans II

The trays move smoothly and almost effortlessly out of the unit ...



... so that users have a clear view of all the contents and optimal access.



LeMans II scores high on efficiency and benefits.



## Variants

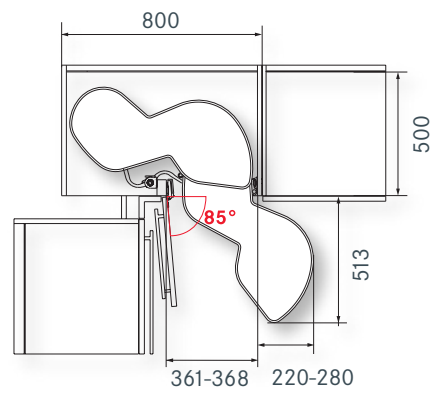
ARENA Classic



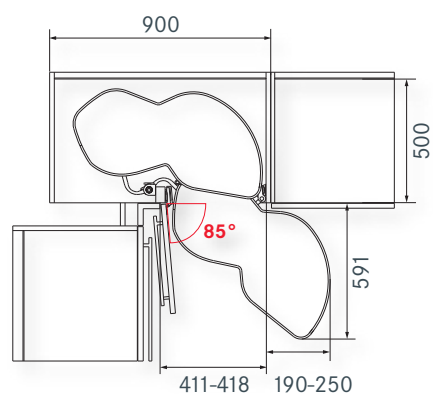
ARENA Style



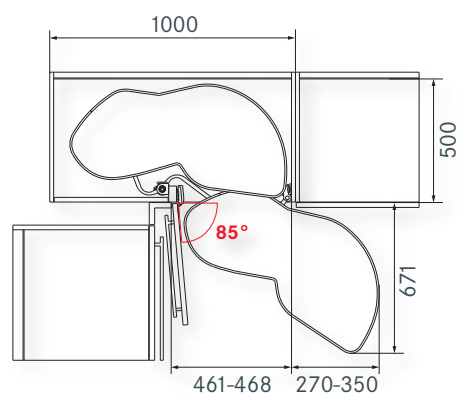




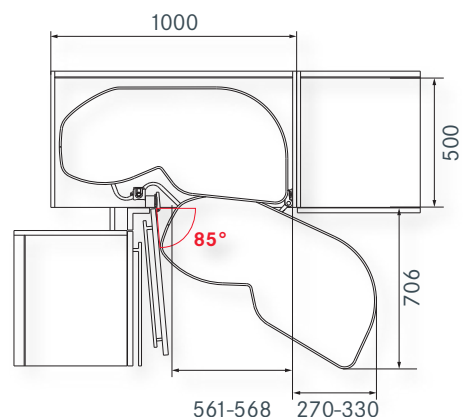
**Example:**  
swings out to the right  
(left cabinet – 40-cm door)



**Example:**  
swings out to the right  
(left cabinet – 45-cm door)

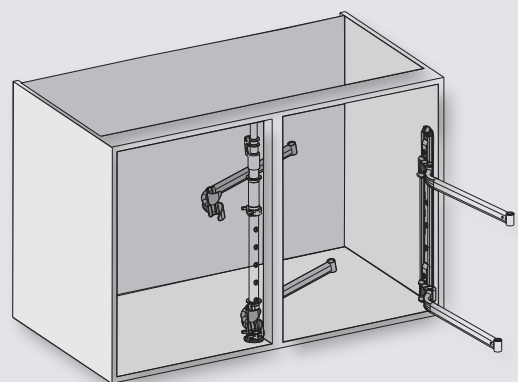
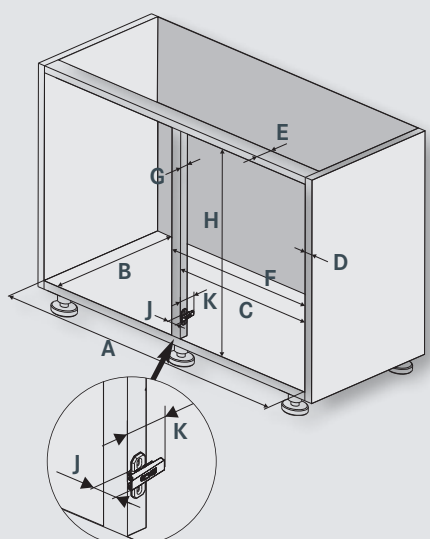


**Example:**  
swings out to the right  
(left cabinet – 50-cm door)



**Example:**  
swings out to the right  
(left cabinet – 60-cm door)

	Door widths			
mm	400	450	500	600
A	≥764	≥800	≥910	≥960
B	≥500	≥500	≥500	≥500
C	361-368	411-418	461-468	561-568
D	16-19	16-19	16-19	16-19
E	≥60	≥60	≥60	≥60
F	≤400	≤450	≤500	≤600
G	≤65	≤65	≤65	≤65
H	600-900	600-900	600-900	600-900
J	≤25	≤25	≤25	≤25
K	≤70	≤70	≤70	≤70



**LeMans corner unit swing-out tray**

**ARENA Style**

Sets (= 2 ARENA Style trays and accessories) without axle; payload: 25 kg/tray

	Door widths:	
Swings out to the right	400	<b>07 7918</b>
Swings out to the left		<b>07 7919</b>
Swings out to the right	450	<b>07 7920</b>
Swings out to the left		<b>07 7921</b>
Swings out to the right	500	<b>07 7922</b>
Swings out to the left		<b>07 7923</b>
Swings out to the right	600	<b>07 7924</b>
Swings out to the left		<b>07 7925</b>

Standard with  
**ARENAplus**  
 Anti-slip coating



**LeMans corner unit swing-out tray**

**ARENA Classic**

Sets (= 2 ARENA Classic trays and accessories) without axle; payload: 25 kg/tray

	Door widths:	
Swings out to the right	400	<b>03 7918</b>
Swings out to the left		<b>03 7919</b>
Swings out to the right	450	<b>03 7920</b>
Swings out to the left		<b>03 7921</b>
Swings out to the right	500	<b>03 7922</b>
Swings out to the left		<b>03 7923</b>
Swings out to the right	600	<b>03 7924</b>
Swings out to the left		<b>03 7925</b>

Standard with  
**ARENAplus**  
 Anti-slip coating



**Axle, height-adjustable**

- with 2 premounted bearing sleeves
- 1 cabinet-side M profile
- 1 top connector
- 1 axle bearing, bottom

for unit inside clearance:	
600-750 mm	<b>00 7944</b>
650-800 mm	<b>00 7958</b>
720-900 mm	<b>00 7945</b>



**SoftStopp Plus dampers (set of 2)**

- for fittings swinging out to the right **00 7955**
- for fittings swinging out to the left **00 7956**

**SOFTSTOPPLUS**



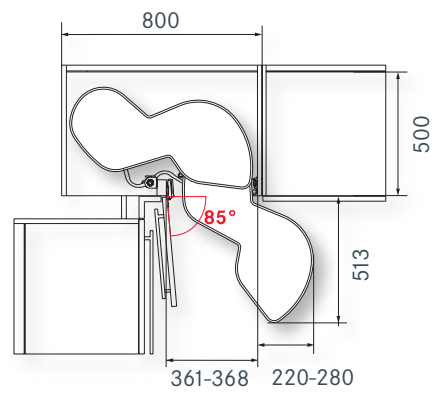




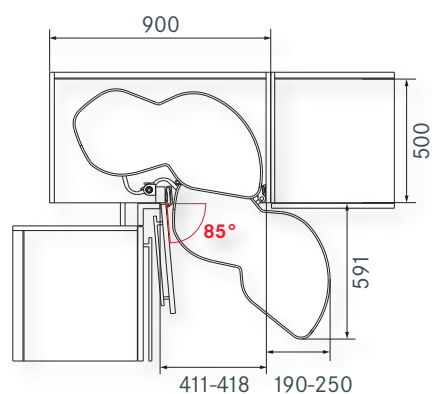


LeMans II

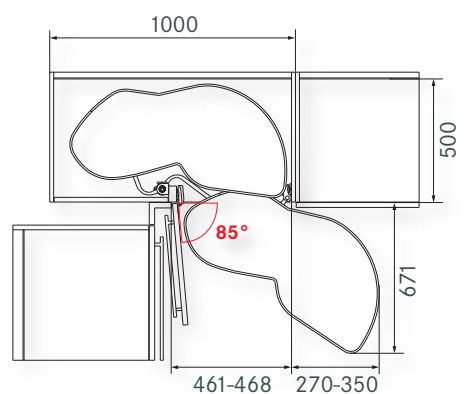
**LeMans** trays are a practical and very attractive solution for highboard corner units.



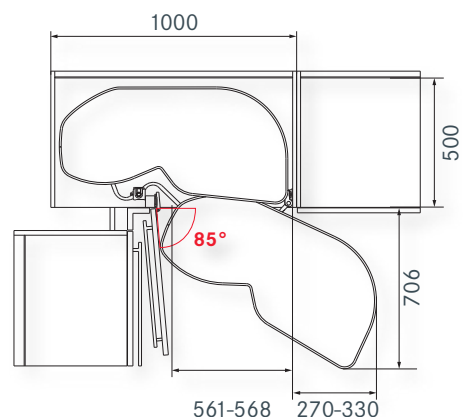
**Example:**  
swings out to the right  
(left cabinet – 40-cm door)



**Example:**  
swings out to the right  
(left cabinet – 45-cm door)

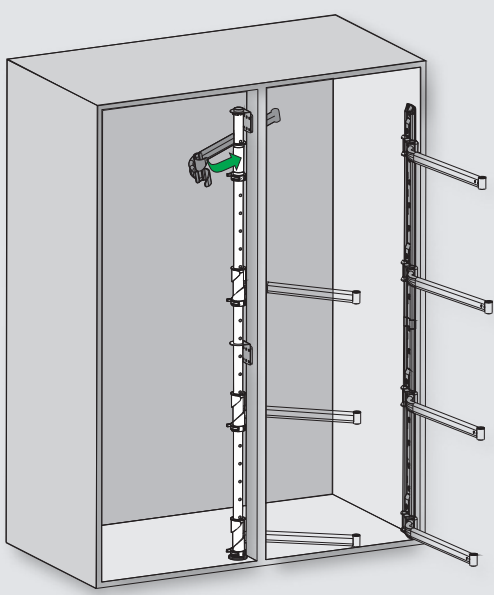
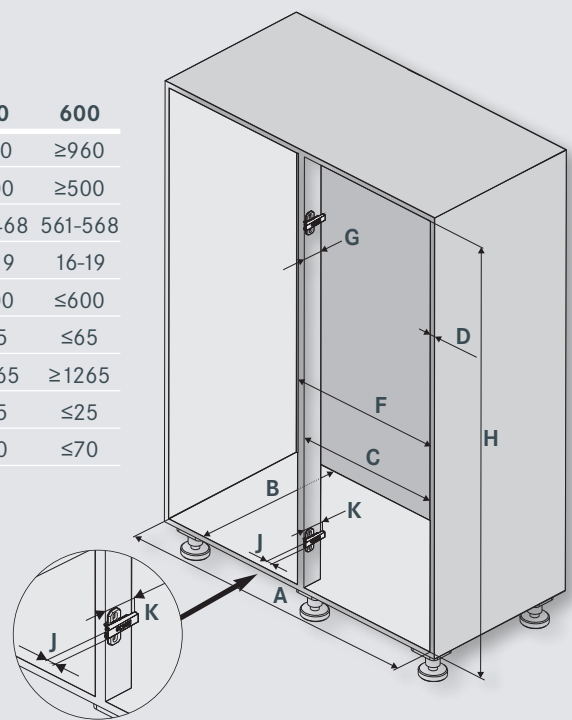


**Example:**  
swings out to the right  
(left cabinet – 50-cm door)



**Example:**  
swings out to the right  
(left cabinet – 60-cm door)

	Door widths			
mm	400	450	500	600
A	≥764	≥800	≥910	≥960
B	≥500	≥500	≥500	≥500
C	361-368	411-418	461-468	561-568
D	16-19	16-19	16-19	16-19
F	≤400	≤450	≤500	≤600
G	≤65	≤65	≤65	≤65
H	≥1265	≥1265	≥1265	≥1265
J	≤25	≤25	≤25	≤25
K	≤70	≤70	≤70	≤70





**LeMans corner unit swing-out tray**

**ARENA Style**

Sets (= 2 ARENA Style trays and accessories) without axle; payload: 25 kg/tray

	Door widths:	
Swings out to the right	400	<b>07 7918</b>
Swings out to the left		<b>07 7919</b>
Swings out to the right	450	<b>07 7920</b>
Swings out to the left		<b>07 7921</b>
Swings out to the right	500	<b>07 7922</b>
Swings out to the left		<b>07 7923</b>
Swings out to the right	600	<b>07 7924</b>
Swings out to the left		<b>07 7925</b>

Standard with  
**ARENAplus**  
 Anti-slip coating



**LeMans corner unit swing-out tray**

**ARENA Classic**

Sets (= 2 ARENA Classic trays and accessories) without axle; payload: 25 kg/tray

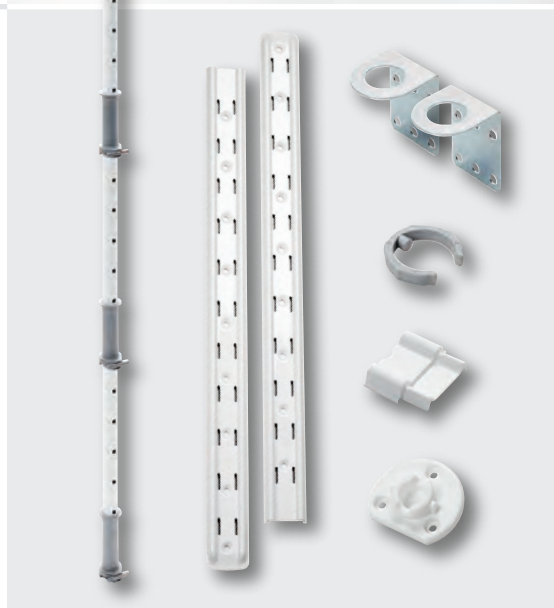
	Door widths:	
Swings out to the right	400	<b>03 7918</b>
Swings out to the left		<b>03 7919</b>
Swings out to the right	450	<b>03 7920</b>
Swings out to the left		<b>03 7921</b>
Swings out to the right	500	<b>03 7922</b>
Swings out to the left		<b>03 7923</b>
Swings out to the right	600	<b>03 7924</b>
Swings out to the left		<b>03 7925</b>

Standard with  
**ARENAplus**  
 Anti-slip coating



- Axle, 1250 mm**
- with 4 premounted bearing sleeves
- 2 cabinet-side M profiles
- 2 bearing brackets
- 1 locking clip
- 1 connector clip
- 1 bottom bearing

for clear inside height  
 1250 mm **00 7943**



**SoftStopp Plus dampers (set of 2)**

for fittings swinging out to the right **00 7955**  
 for fittings swinging out to the left **00 7956**





10:45

Miele