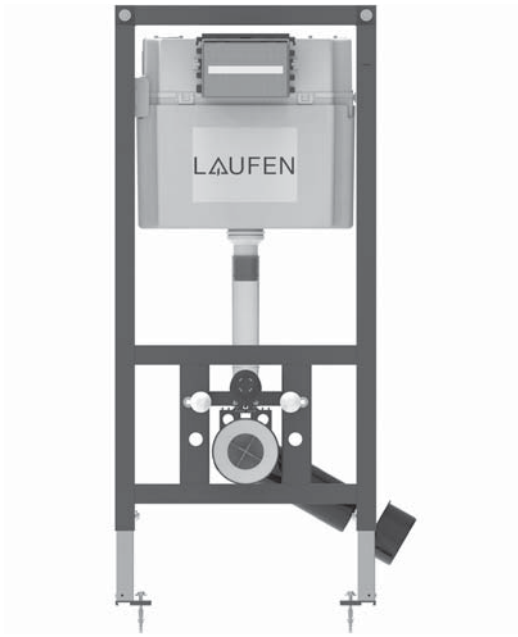


LAUFEN INSTALLATION SYSTEM

CWN100

Concealed frame with cistern for wallhung WC and for shower toilet 92010.0



TECHNICAL DATA

Order no.	92010.0
Certified to	EN 14055
matching for	All LAUFEN wallhung toilets also suitable for LAUFEN wallhung shower toilets
Specifications	Self-supporting steel frame for covering with plasterboard, installation onto a solid wall, in drywall constructions. With front operated. Dual-Flush 6/3-l (4.5/3-l-flush), with water condensation insulation. Fill valve Noise Class I.
Other specifications	Leg supports, rotatable, height-adjustable 0-200 mm. Capable to resist 400 kg
Water inlet	side left, PEX pipe connection kit Ø 15, Ø 16 mm
Outlet	DN 90/110
Flow pressure range	0.5-10 bar
Water temperature	max. 25°C
Tank	Installation depth: 120 mm, material PP
Installation depth	135-205 mm

Weight	12,9 kg
Mounting acc. incl.	Wall bracket, protection box for access opening, inspection box for WC connection, retaining bolts with protection plugs, angle valve R 1/2, PEX pipe connection kit Ø 15, Ø 16 mm, WC connector 90° (Ø 90 mm), PE transition sleeve Ø 90 / 110 mm, WC connection set Ø 90 mm, L=180 mm, mounting material.
Mounting acc. excl.	Fastening set for wall, order no. 89563.5 (Norway) Sound insulation set
Accessories excl.	Actuator plates dual flush, order no. 90010.0, 90010.1, 90010.2 (glass), 90010.3 (stainless steel), 90010.4, 90010.5, 90010.6, Electronic actuator plate dual flush, order no. 90010.7 (glass)
Mounting information	Height from finished floor to top of WC pre-set to 400 mm.
Colours	Surface powder coated blue

TECHNICAL DRAWINGS / S 1 : 20

