

CUBITO STYLE

WC seat and cover, duroplast, Slowclose, removable stainless steel hinges



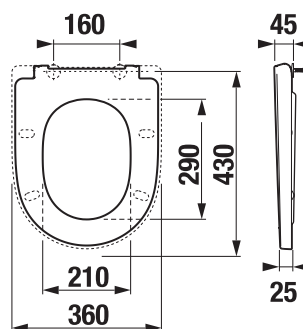
DIMENSIONS

Length 442 mm
 Width 361 mm
 Height 44 mm

COLOURS AND OPTIONS



TECHNICAL DRAWINGS



FEATURES

Hinges material: **Stainless steel**

Shape: **Round**

SoftClose® system

Suitable for: **Toilet**

COMPATIBLE WITH



Wall-hung WC, horizontal
outlet, Vortex/Rimless

H820421###0001



Floorstanding WC, vario
outlet, Vortex/Rimless

H823421###0001

Cubito Style

The Cubito Style collection is the key to simplicity and comfort. Its style perfectly combines sophisticated design and functionality. The impressive design will perfectly complement any environment designed in a modern cosmopolitan spirit.

The new Cubito Style toilet series covers a comprehensive toilet solution. It offers both a wall-hung toilet and a freestanding option or close coupled toilets. All variants feature the innovative Vortex flushing, Rimless technology and are extremely economical. Only 2 liters are needed for a small flush, which is less than with standard toilets, and 4 liters for a large one.

The Cubito Style close coupled toilet is also a suitable alternative for replacing older close coupled toilets where the layout does not allow the installation of more spacious toilets. At 63 cm, it has the same length as the popular Lyra Plus combination toilets, while maintaining the standard seat length. The series is also completed by bidets in the same design.



INSTALLATION AND USER MANUALS



[Installation Handbook](#)