

## KARTELL LAUFEN

## Towel holder 'Rail', 300 mm, plastic

## DIMENSIONS

Length	300 mm
Width	75 mm
Height	40 mm

## COLOUR AND FINISH

082 Tangerine orange

## OPTIONS

000 - standard option

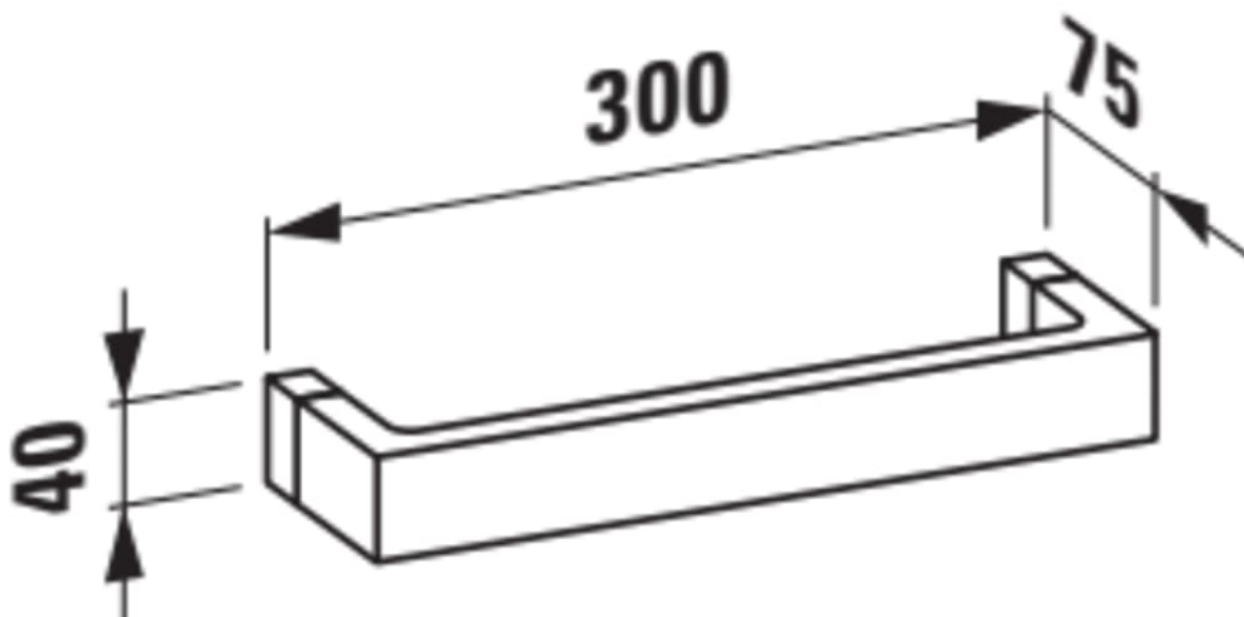


Installation type : Floor-standing

Material : Plastic

Net weight (kg) : 0.3

## TECHNICAL DRAWINGS





## Kartell LAUFEN

A place for divas. And deep dives. This is the story about a place of unknown beauty. Designed for humans, shaped by the elements. Far away from your everyday life. But every morning you will ask yourself: Have I been here before? Or is this just a dream?

