

## LAUFEN PRO

### WC seat and cover slim, with lowering system

#### DIMENSIONS

Length	485 mm
Width	390 mm
Height	55 mm

#### COLOUR AND FINISH

<input type="checkbox"/>	000 White
--------------------------	-----------

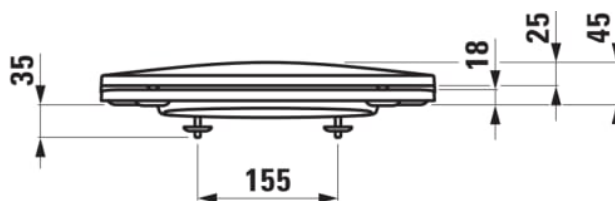
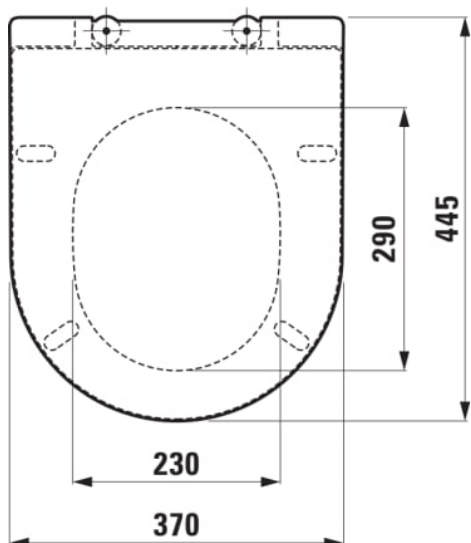
#### OPTIONS

000 - standard option



Net weight (kg) : 2

#### TECHNICAL DRAWINGS



COMPATIBLE WITH



Cistern, water inlet bottom  
left

**H8289630008431**

## LAUFEN PRO

LAUFEN pro is a comprehensive bathroom range, which offers the ideal solution for every spatial situation and requirement and also reflects the building values of the current generation. Industrial design is the modern answer to the once revolutionary idea that everyone has a right to enjoy beautiful forms. Good design is now no longer a right reserved for the most affluent customers. Modern methods of industrial production and designers such as Peter Wirz of Vetica, who put optimum manufacturing feasibility at the forefront of their creative processes, make such sanitary ware ranges as LAUFEN pro possible. This does not just benefit the designer, more importantly, it also benefits the custo

