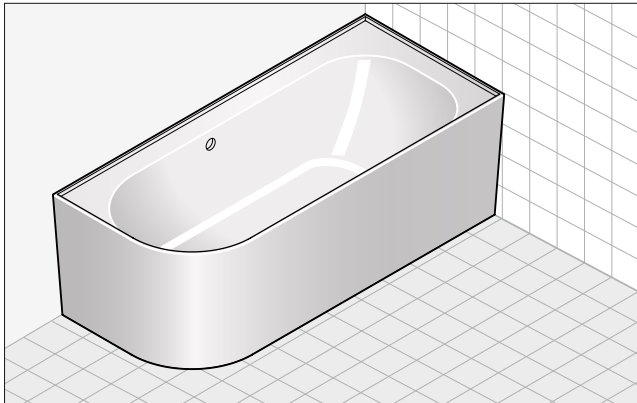


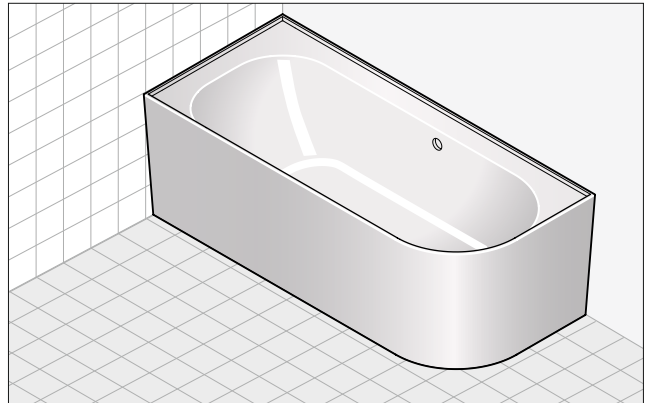
Immerse Marbond



180 x 80 Art.-Nr. 2.2194.5



180 x 80 Art.-Nr. 2.2194.6



This instruction must be given to the user.
Guarantee/Liability only when assembled by an approved specialist in accordance with the instructions and local regulations.

Installation instructions

Instructions for use



These instructions for use must be carefully read before installation.

Check on content of delivery and condition of the components: Check delivery after receipt for completeness and possibly damage (see parts list). Inform the dealer immediately when damage is apparent. We are not liable for damage arising during or after installation/fitting.

Check door width before starting work: Does the product fit through the door of the room, in which it will be installed? Required minimum door width: See dimensions page 2.

Lifting/moving: Only lift/move the tub using the transport straps supplied - never use the hoses or installation parts.

Laying circuits: Do not lay any circuits under the bath.

Protection from damage: Use suitable protective covers to prevent damage to surfaces and blockages by dirt or dust arising during fitting. Temporarily apply a protective cover to sensitive components (drain, nozzles, operating element) before starting installation.

Special precautions: When cleaning the tiles, make sure that no ammoniac or a similar aggressive cleaning agent come into contact with the installed parts.

Water inlet via hydromassage or overflow: The connection must always be made by a qualified specialist.

Feed rate:

Maximum 20 litres/min (EN 200)

Overflow rate:

Minimum 36 litres/min (EN 274)

Drainage rate:

Minimum 48 litres/min (EN 274)

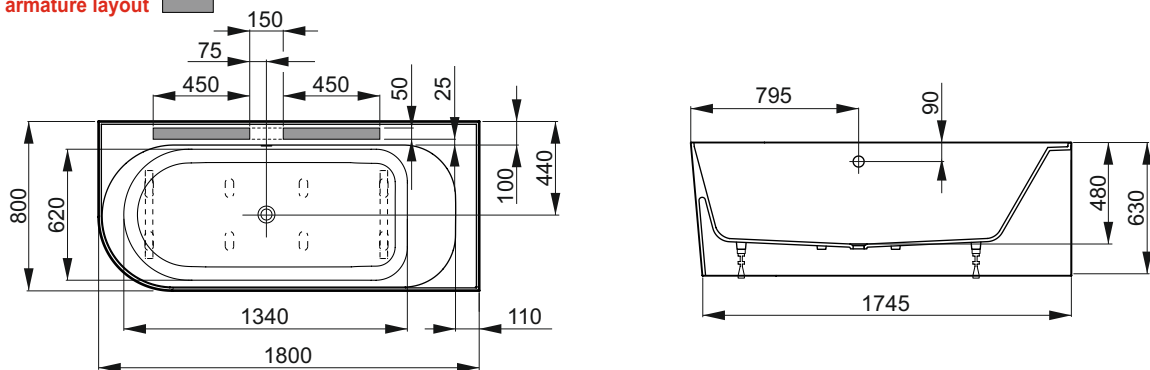
Checking that the tub is waterproof: After connecting the water supply and drainage pipes, the tub must be filled and examined to ensure that it is waterproof.

Subject to modifications: Laufen reserves the right to make changes or product modifications without prior warning.

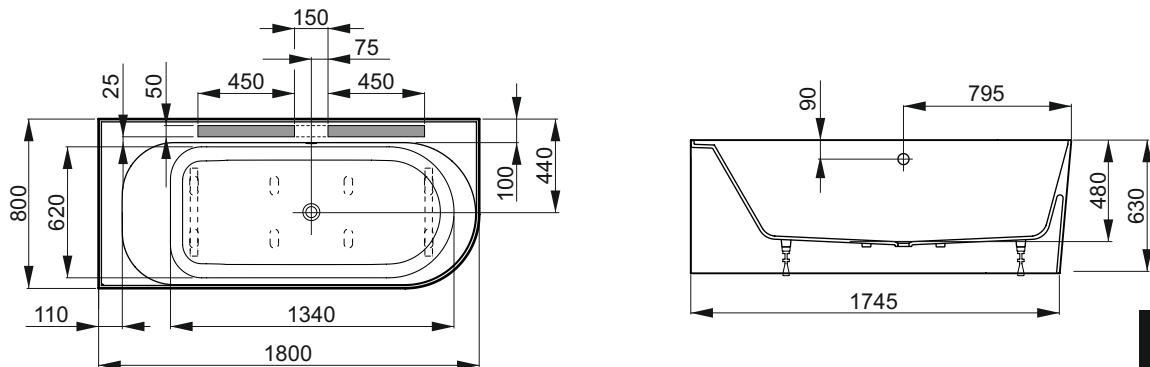
180 x 80 Art.-Nr. 2.2194.5 right

Dimensions (mm)

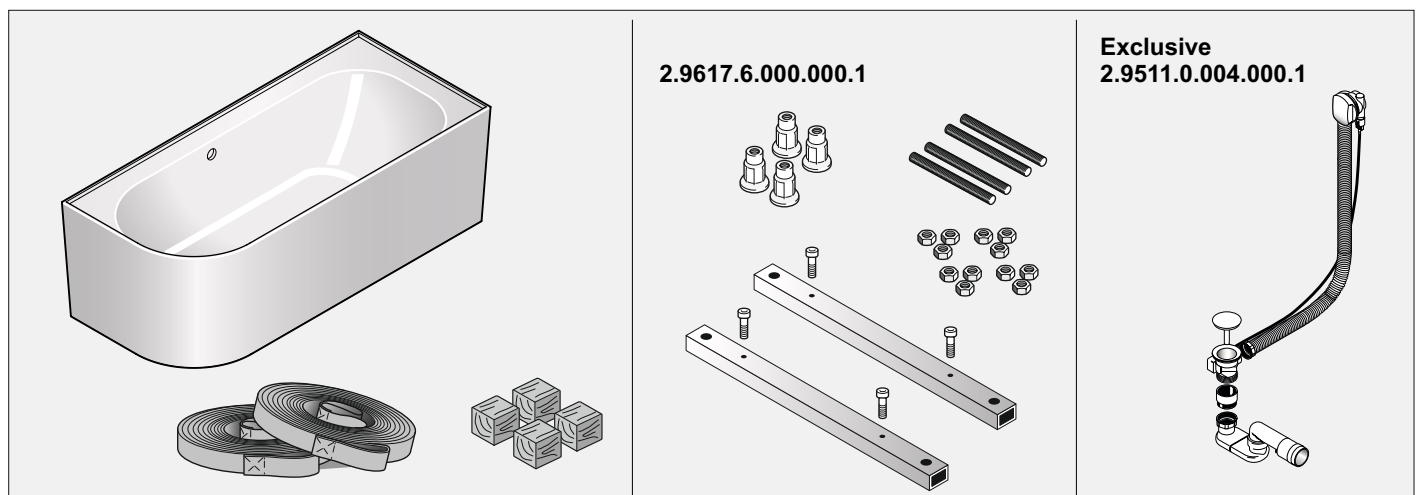
Recommended armature layout

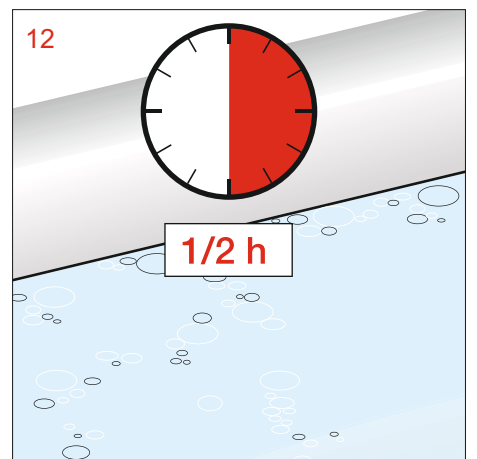
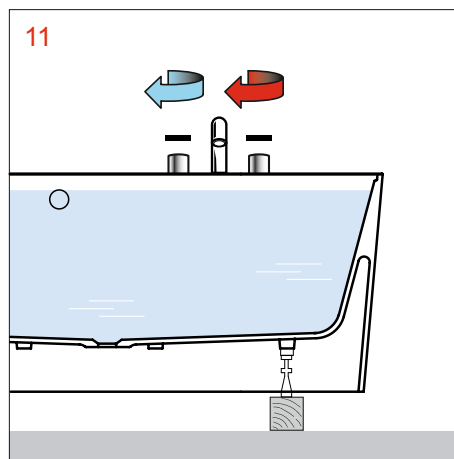
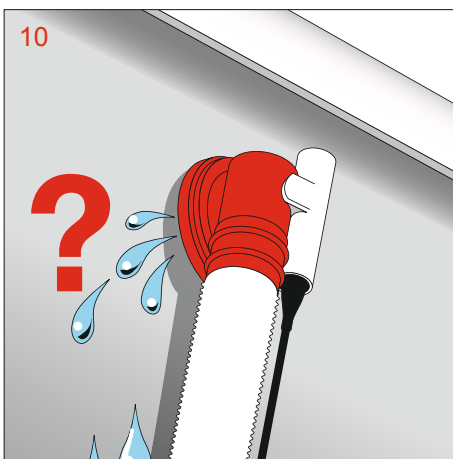
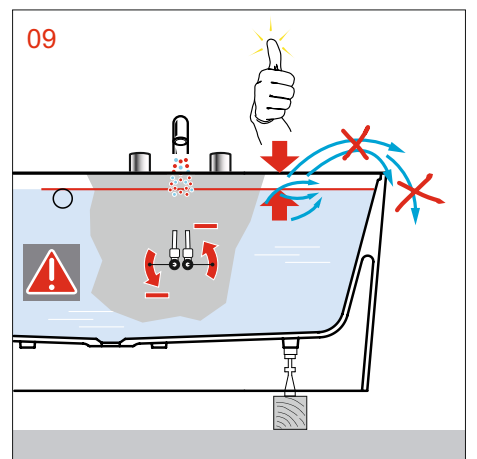
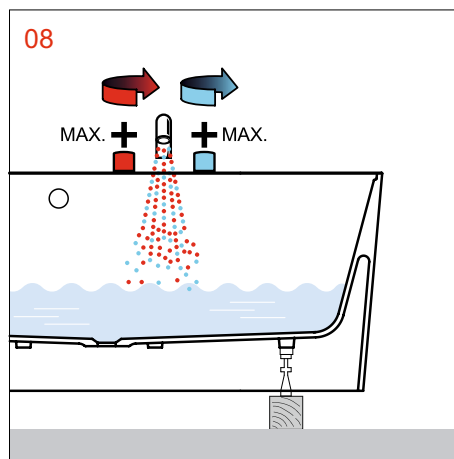
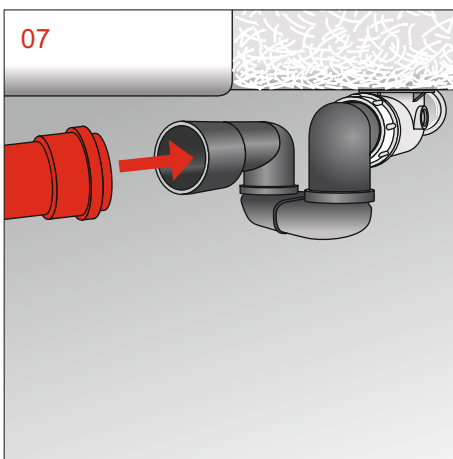
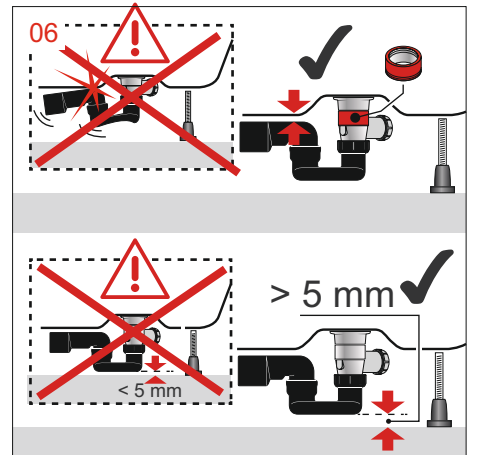
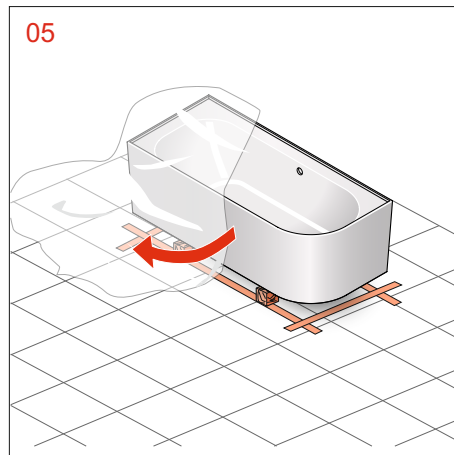
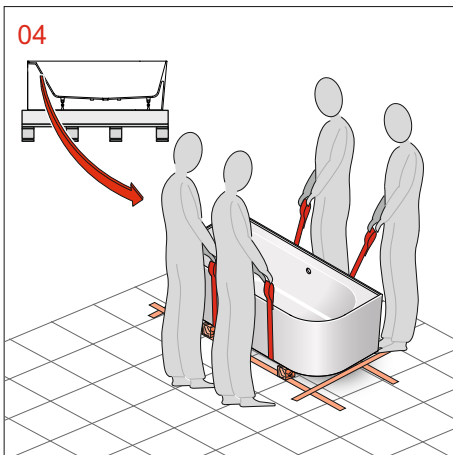
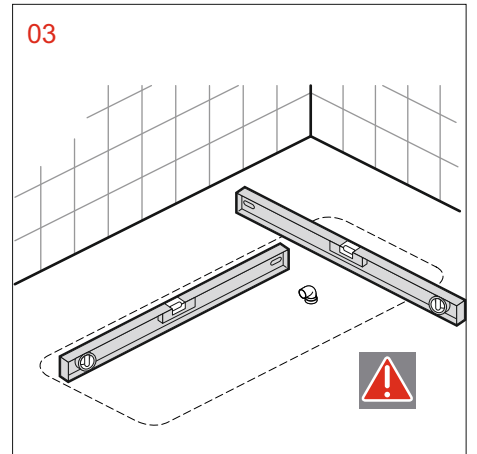
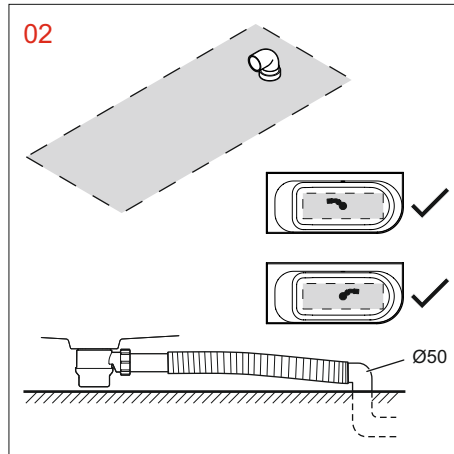
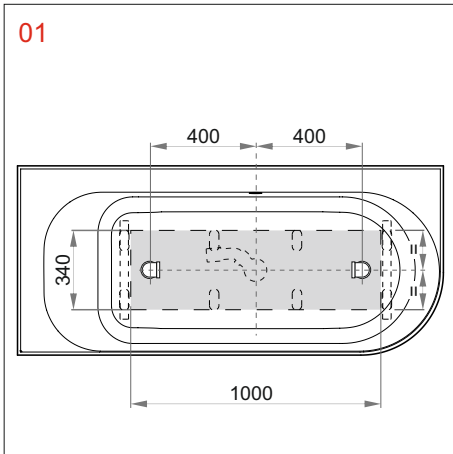


180 x 80 Art.-Nr. 2.2194.6 left

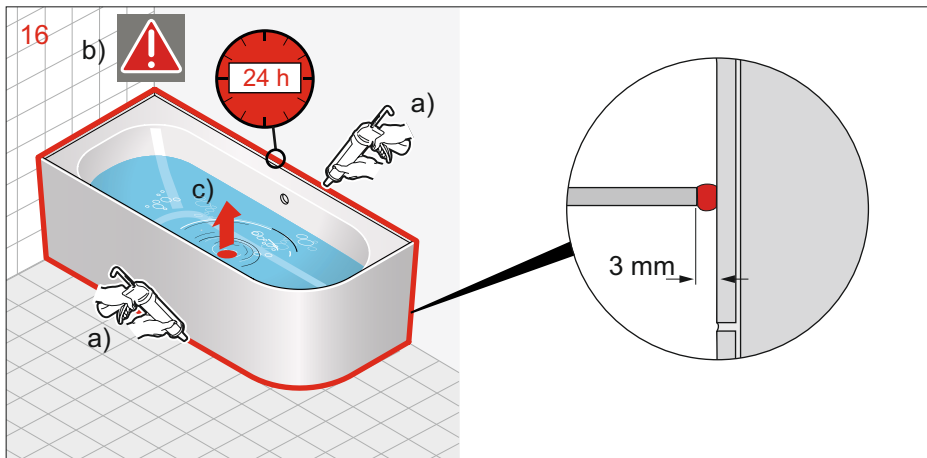
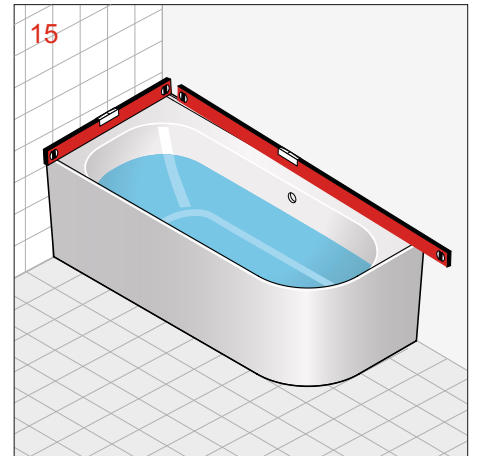
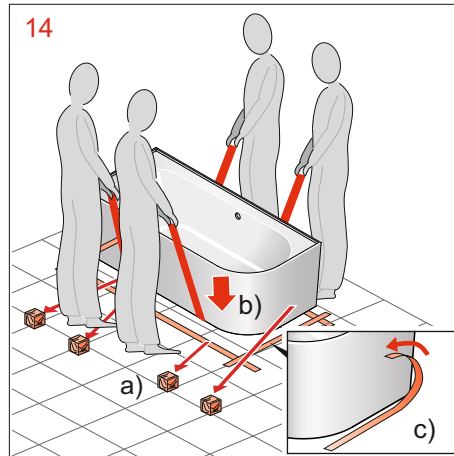
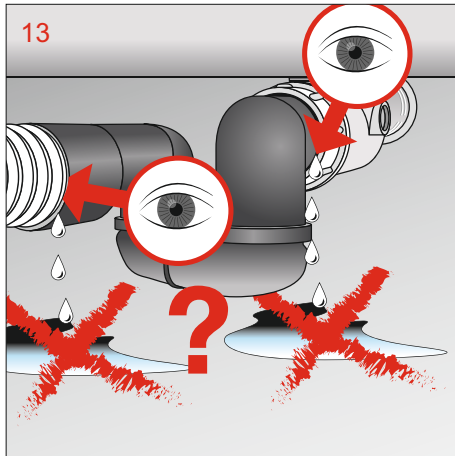


Parts list, tub assembly installation instructions





Tub assembly installation instructions



General Information, Maintenance Instructions



General instructions for use

Do not exceed 40°C.
Drain the water after each use.
Never leave children unsupervised in the bath or shower tray.

Care instructions

The surface gathers hardly any dirt and is easy to clean and care for. For regular cleaning we recommend: A sponge, soft cloth and some antistatic cleaning agent. Rub down, if necessary, with a soft cloth. The surface is dirt-repellent.

Avoid using scouring agents or solvents, which may damage the surface of the shower tray.

Remove heavy dirt with liquid household cleaner e.g. dishwash detergents or liquid soap (observe dilution instructions). Always rinse with plenty of clear water and buff up with a cloth. Do not use any acidic cleaning agents or vinegar-based cleaning agents.

Damage

Scratched surfaces should always be treated by a specialist. Serious damages can be repaired with the maintenance kit (2.9996.5.###.000.1).

Damage resulting from inappropriate treatment by the user will not be covered by our guarantee.

Use



Beware! Increased risk of slipping when surface is wet. This is particularly so when using soap, shampoo, bath oil, etc.

LAUFEN

Laufen Bathrooms AG
Wahlenstrasse 46
CH-4242 Laufen, Switzerland
www.laufen.com