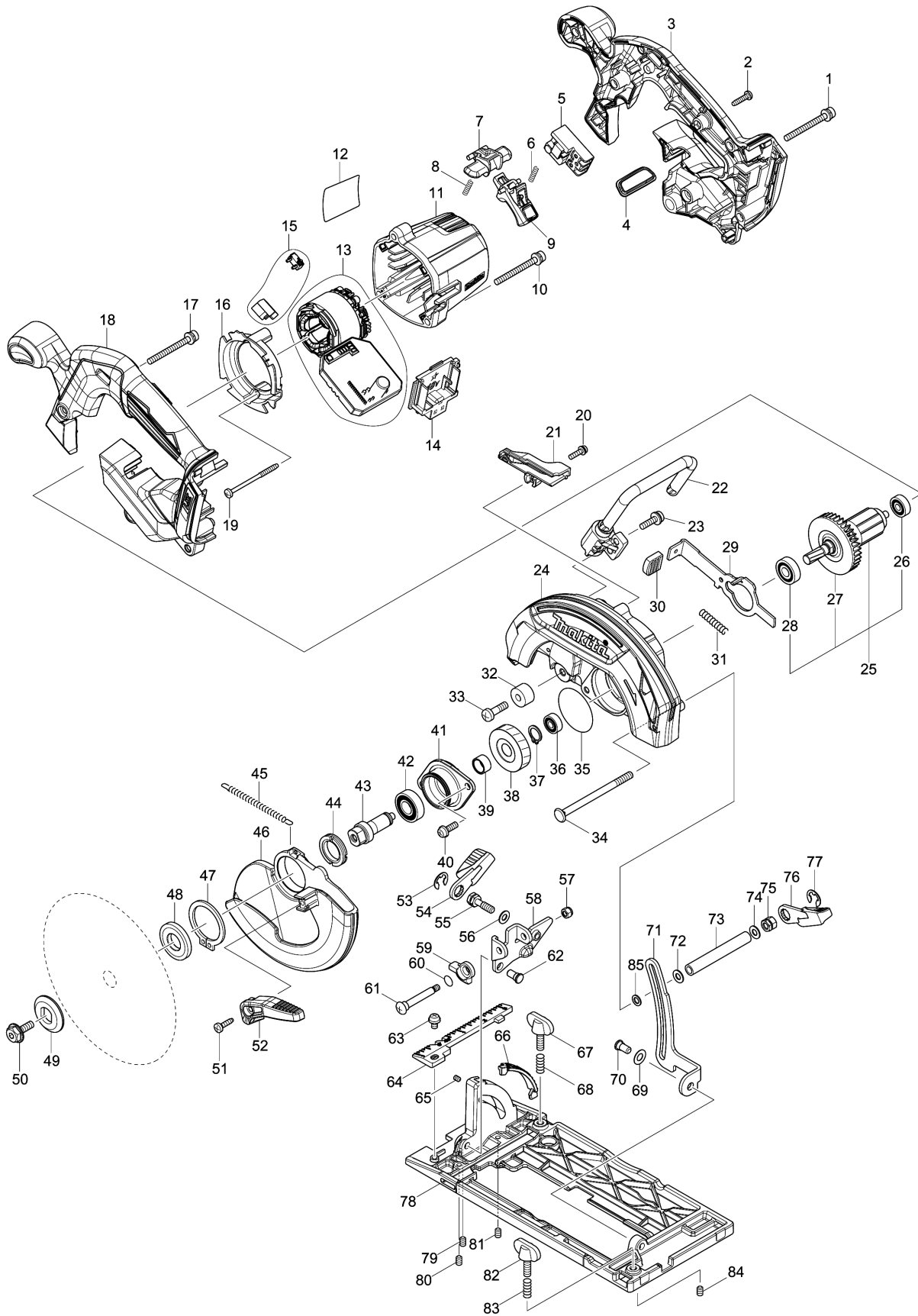


Model No.DHS680 165MM CORDLESS CIRCULAR SAW



Model No.DHS680 165MM CORDLESS CIRCULAR SAW

Item	Parts No.	Description	I/C	Qty	New/Old	Opt. 1	Opt. 2	Note
001	911263-2	PAN HEAD SCREW M5X40		1				
002	265995-6	TAPPING SCREW 4X18		7				
003	183A15-9	HANDLE SET		1				
C10	263005-3	RUBBER PIN 6		2				
D10		INC. 18						
004	142948-1	INDICATION PLATE COMPLETE		1				
005	650734-1	SWITCH TG73BDS-2		1				
006	231469-9	COMPRESSION SPRING 4		1				
007	419664-3	LOCK OFF LEVER		1				
008	231469-9	COMPRESSION SPRING 4		1				
009	455480-9	SWITCH LEVER		1				
010	911263-2	PAN HEAD SCREW M5X40		3				
011	455437-0	MOTOR HOUSING		1				
012	850H69-0	DHS680 NAME PLATE		1				
013B	632D90-5	STATOR UNIT		1	*			
013C	632D90-5	STATOR UNIT		1	*			
013D	632D90-5	STATOR UNIT		1	*			
013-1B	629348-7	STATOR UNIT	<	1				
013-1C	629348-7	STATOR UNIT	<	1				
013-1D	629348-7	STATOR UNIT	<	1				
013-1E	629348-7	STATOR UNIT		1				
013-1F	629348-7	STATOR UNIT		1				
014	644808-8	TERMINAL		1				
015	632D81-6	SWITCH UNIT		1				
016	455440-1	BAFFLE PLATE		1				
017	911263-2	PAN HEAD SCREW M5X40		1				
018	183A15-9	HANDLE SET		1				
C10	263005-3	RUBBER PIN 6		2				
D10		INC. 3						
019	266091-3	TAPPING SCREW 4X50		2				
020	911128-8	P.H.SCREW M4X16 WITH WR		1				
021	455483-3	DUCT		1				
022	123269-0	HOOK ASSEMBLY		1				
023	911233-1	PAN HEAD SCREW M5X20		2				
024B	142942-3	BLADE CASE COMPLETE		1	*			
C10	213953-6	O RING 24		1	*			
024C	142942-3	BLADE CASE COMPLETE		1	*			
C10	213953-6	O RING 24		1	*			
024-1B	143256-3	BLADE CASE COMPLETE	<	1				
C10	213953-6	O RING 24		1				
024-1C	143256-3	BLADE CASE COMPLETE	<	1				
C10	213953-6	O RING 24		1				

Please order the parts with part number.

Print Date 26/3/2020

Model No.DHS680 165MM CORDLESS CIRCULAR SAW

Item	Parts No.	Description	I/C	Qty	New/Old	Opt. 1	Opt. 2	Note
024-1D	143256-3	BLADE CASE COMPLETE		1				
C10	213953-6	O RING 24		1				
024-1E	143256-3	BLADE CASE COMPLETE		1				
C10	213953-6	O RING 24		1				
024-1F	143256-3	BLADE CASE COMPLETE		1				
C10	213953-6	O RING 24		1				
025	519359-9	ROTOR ASS'Y		1				
D10		INC. 26-28						
026	210022-4	BALL BEARING 626DDW		1				
027	240045-8	FAN 55		1				
028	210051-7	BALL BEARING 609LLB		1				
029	346837-4	SHAFT LOCK		1				
030	286275-7	CAP		1				
031	233117-6	COMPRESSION SPRING 6		1				
032	262552-1	RUBBER SLEEVE 6		1				
033	251247-1	+ PAN HEAD SCREW M6X20		1				
034	266194-3	FLAT HEAD SCREW M6X90		1				
035	213565-5	O RING 42		1				
036B	210028-2	BALL BEARING 606ZZ		1	*			
036C	210028-2	BALL BEARING 606ZZ		1	*			
036D	210028-2	BALL BEARING 606ZZ		1	*			
036-1B	210137-7	BALL BEARING 606ZZ	O	1				
036-1C	210137-7	BALL BEARING 606ZZ	O	1				
036-1D	210137-7	BALL BEARING 606ZZ	O	1				
036-1E	210137-7	BALL BEARING 606ZZ		1				
036-1F	210137-7	BALL BEARING 606ZZ		1				
037	961052-5	RETAINING RING S-12		1				
038	227794-4	HELICAL GEAR 50		1				
039	257349-1	SLEEVE 12		1				
040	911223-4	PAN HEAD SCREW M5X16		2				
041	319212-7	BEARING BOX		1				
042	211131-2	BALL BEARING 6001DDW		1				
043	326459-6	SPINDLE		1				
044	285845-9	BEARING RETAINER 19-29		1				
045	231878-2	TENSION SPRING 4		1				
046	319211-9	SAFETY COVER		1				
047	961152-1	RETAINING RING (EXT) S-34		1				
048B	224473-5	INNER FLANGE 35		1	*			
048C	224473-5	INNER FLANGE 35		1	*			
048D	224473-5	INNER FLANGE 35		1	*			
048-1B	224593-5	INNER FLANGE 35	<	1				
048-1C	224593-5	INNER FLANGE 35	<	1				

Please order the parts with part number.

Print Date 26/3/2020

Model No.DHS680 165MM CORDLESS CIRCULAR SAW

Item	Parts No.	Description	I/C	Qty	New/Old	Opt. 1	Opt. 2	Note
048-1D	224593-5	INNER FLANGE 35	<	1				
048-1E	224593-5	INNER FLANGE 35		1				
048-1F	224593-5	INNER FLANGE 35		1				
049	224409-4	OUTER FLANGE 35		1				
050	266924-2	HEX. SOCKET HEX. BOLT M6X18		1				
051	266034-5	TAPPING SCREW CT 4X16		1				
052	272281-8	LEVER 39		1				
053	257982-9	BOW STOP RING E-8		1				
054	272272-9	LEVER 45		1				
055	266735-5	HEX.BOLT M6X20		1				
056	941151-9	FLAT WASHER 6		1				
057	252103-8	HEX. LOCK NUT M5-8		1				
058	346836-6	ANGULAR GUIDE		1				
059	317986-4	STOPPER		1				
060	213062-1	O RING 9		1				
061	265084-7	+ TRUSS HEAD SCREW M5		1				
062	256480-0	SHOULDER PIN 6-7		1				
063B	911203-0	PAN HEAD SCREW M5X8		1	*			
063C	911203-0	PAN HEAD SCREW M5X8		1	*			
063-1B	911208-0	PAN HEAD SCREW M5X10	O	1				
063-1C	911208-0	PAN HEAD SCREW M5X10	O	1				
063-1D	911208-0	PAN HEAD SCREW M5X10		1				
063-1E	911208-0	PAN HEAD SCREW M5X10		1				
063-1F	911208-0	PAN HEAD SCREW M5X10		1				
064	455516-4	TOP GUIDE		1				
065	266318-1	H.S.SET SCREW(FLAT POINT)M4X6		2				
066	455517-2	BEVEL GUIDE		1				
067	251896-4	SCREW M5X20		1				
068	231007-7	COMPRESSION SPRING 6		1				
069	253058-0	FLAT WASHER 7		1				
070	256511-5	SHOULDER PIN 6-7		1				
071	346838-2	DEPTH GUIDE		1				
072	941151-9	FLAT WASHER 6		1				
073	332126-3	PIPE 6		1				
074	941151-9	FLAT WASHER 6		1				
075	264103-6	HEX. NUT M6		1				
076	272272-9	LEVER 45		1				
077	257982-9	BOW STOP RING E-8		1				
078	319210-1	BASE		1				
079	266436-5	H.S.SET SCREW(FLAT POINT)M5X8		1				

Model No.DHS680 165MM CORDLESS CIRCULAR SAW

Item	Parts No.	Description	I/C	Qty	New/Old	Opt. 1	Opt. 2	Note
080	266436-5	H.S.SET SCREW(FLAT POINT)M5X8		1				
081	266436-5	H.S.SET SCREW(FLAT POINT)M5X8		1				
082	251896-4	SCREW M5X20		1				
083	231007-7	COMPRESSION SPRING 6		1				
084	266436-5	H.S.SET SCREW(FLAT POINT)M5X8		1				
085	253077-6	FLAT WASHER 6		1				
A01	783203-8	HEX. WRENCH 5		1				
A02B	B-09173	T.C.T.SAW BLADE 165X20X24T		1	*			
A02C	B-09173	T.C.T.SAW BLADE 165X20X24T		1	*			
A02D	B-09173	T.C.T.SAW BLADE 165X20X24T		1	*			
A02E	B-57320	TCT BLADE165X20X56TWOOD/MDF DB		1				
A02F	B-57320	TCT BLADE165X20X56TWOOD/MDF DB		1				
A02-1B	B-62979	TCT BLADE165X25T WOOD EFFICUT	X	1				
A02-1C	B-62979	TCT BLADE165X25T WOOD EFFICUT	X	1				
A02-1D	B-62979	TCT BLADE165X25T WOOD EFFICUT	X	1				
A03	164095-8	GUIDE RULE		1				
A04	196961-1	DUST NOZZLE SET		1				
C10	911128-8	P.H.SCREW M4X16 WITH WR		1				
A05C	196399-0	BATTERY BL1840 SET		2	*			
A05-1C	196399-0	BATTERY BL1840 SET	O	2	*			
A05-2C	197265-4	BATTERY BL1840B SET	<	2	*			
A05-2D	197280-8	BATTERY BL1850B SET		2	*			
A05-2F	197280-8	BATTERY BL1850B SET		2	*			
A05-3C	197265-4	BATTERY BL1840B SET	O	2				
A05-3D	197280-8	BATTERY BL1850B SET	O	2				
A05-3F	197280-8	BATTERY BL1850B SET	O	2				
A06C	450128-8	BATTERY COVER		1				
A06D	450128-8	BATTERY COVER		1				
A06F	450128-8	BATTERY COVER		1				
A07C	821551-8	CONNECTOR PLASTIC CASE (TYPE3)		1				
C10	453974-8	LATCH		4				
A07D	821551-8	CONNECTOR PLASTIC CASE (TYPE3)		1				
C10	453974-8	LATCH		4				
A07F	821551-8	CONNECTOR PLASTIC CASE (TYPE3)		1				
C10	453974-8	LATCH		4				
A08C	838182-6	INNER TRAY		1				

Model No.DHS680 165MM CORDLESS CIRCULAR SAW

Item	Parts No.	Description	I/C	Qty	New/Old	Opt. 1	Opt. 2	Note
A08D	838182-6	INNER TRAY		1				
A08F	838182-6	INNER TRAY		1				
A09C	805F49-9	DHS680RMJ INDICATION LABEL		1	*			
A09D	805F51-2	DHS680RTJ INDICATION LABEL		1	*			
A09-1C	805V45-3	DHS680RMJ INDICATION LABEL	O	1	*			
A09-1D	806H07-0	DHS680RTJ INDICATION LABEL	O	1	*			
A09-2C	816A52-5	DHS680RMJ INDICATION LABEL	O	1				
A09-2D	816A54-1	DHS680RTJ INDICATION LABEL	O	1				
A09-2F	817K38-2	DHS680RTJ1 INDICATION LABEL		1				
A10C	805F50-4	DHS680RMJ PLASTIC CASE LABEL		2	*			
A10D	805F52-0	DHS680RTJ PLASTIC CASE LABEL		2	*			
A10-1C	805V77-0	DHS680RMJ PLASTIC CASE LABEL	O	2	*			
A10-1D	806H08-8	DHS680RTJ PLASTIC CASE LABEL	O	2	*			
A10-2C	816A53-3	DHS680RMJ PLASTIC CASE LABEL	X	2				
A10-2D	816A55-9	DHS680RTJ PLASTIC CASE LABEL	X	2				
A10-2F	817K39-0	DHS680RTJ1 PLASTIC CASE LABEL		2				
A11C	***DC18RC	DC18RC FAST CHARGER		1				
A11D	***DC18RC	DC18RC FAST CHARGER		1				
A11F	***DC18RC	DC18RC FAST CHARGER		1				

Please order the parts with part number.

Print Date 26/3/2020