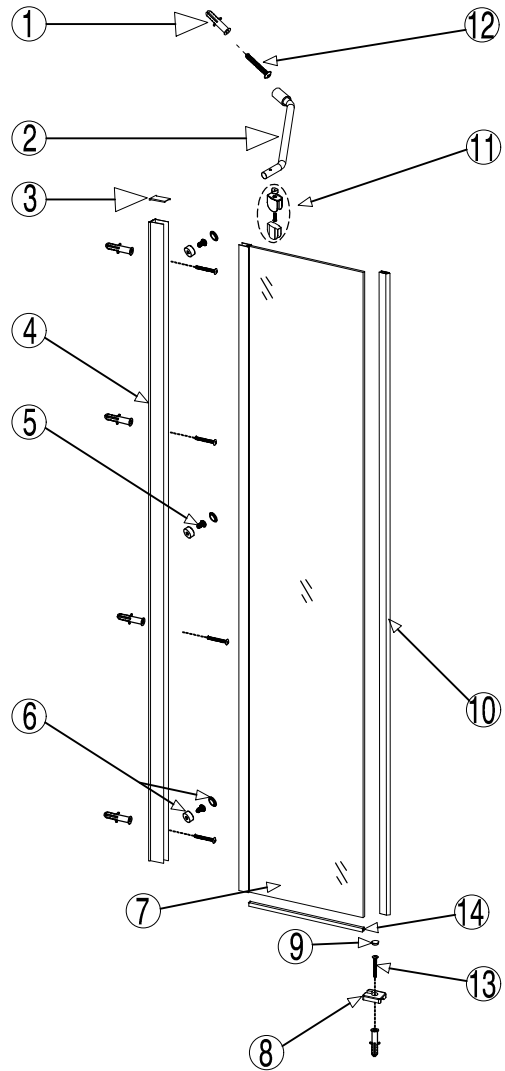


Description: MF 1319F-40



Product Specifications: 40x190CM

No.	Name	Material	Size	qty.	Art. No.	Remark
1	Anchor bolt	ABS	φ8mm	6	a030	
2	Stainless Steel Tube	Stablization bar		1	a430	
3	Zinc-alloy cover	ABS		1	a0211	
4	Aluminum profiles	Aluminium alloy	L=1900mm	1	a0213	
5	Tapping-screw	stainless steel	ST3.5x10mm	3	a073	
6	Decoration Cover	ABS		3	a028	
7	Glass	tempered glass		1	a934	
8	retaining clip	ABS		1	a427	
9	cover	ABS		1	a428	
10	Magnetic	PVC	L=1900mm	1	a036	
11	Glass clip	zinc-alloy		1	a429	
12	Tapping-screw	stainless steel	ST5x60mm	5	a072	
13	Tapping-screw	stainless steel	ST4x35mm	1	a1014	
14	Water-prevention strip	PVC		1	a1015	