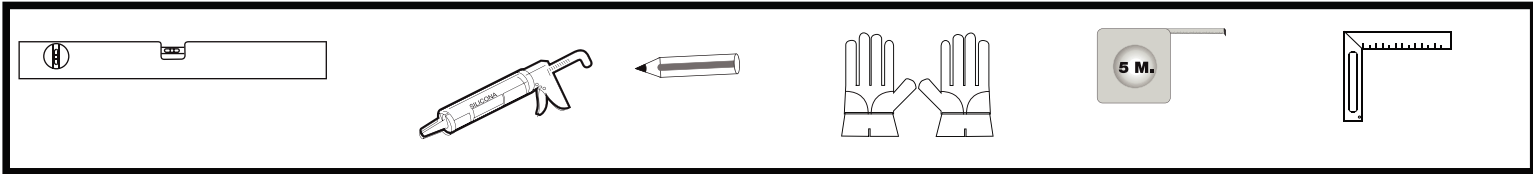

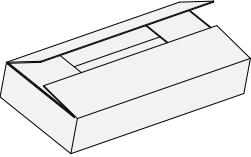
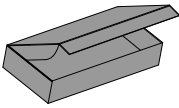




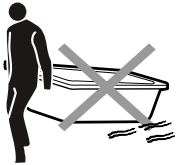
Vitreous Enamel Steel Bathub Side Panels



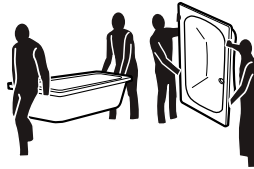
<p>Descrição do equipamento Description of the equipment</p>	 x1	
	 x1	



Do not drag the bathtub on the floor.



Assistance may be required.



Always remember that you are handling glass



Bathtub metal feet must be installed before starting the panel's assembly.



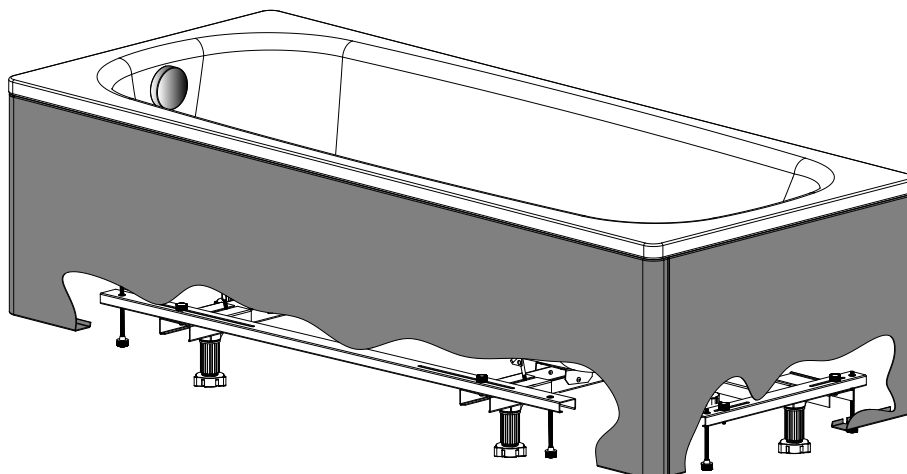
Before the installation, the panels and bathtub shall be checked for accuracy to size, color, and manufacture defects. Claims in respect to defects which had already existed before the installation cannot be admitted after the installation.



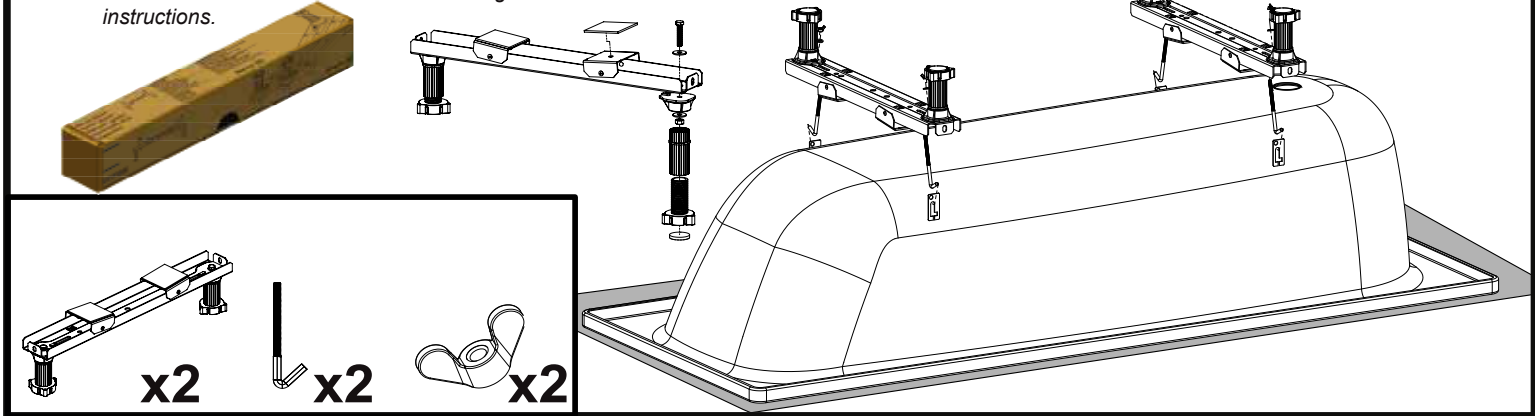
The drain and overflow fittings shall be installed in conformity with the manufacturer's instructions



Dimensional strictness $\pm 5\text{mm}$

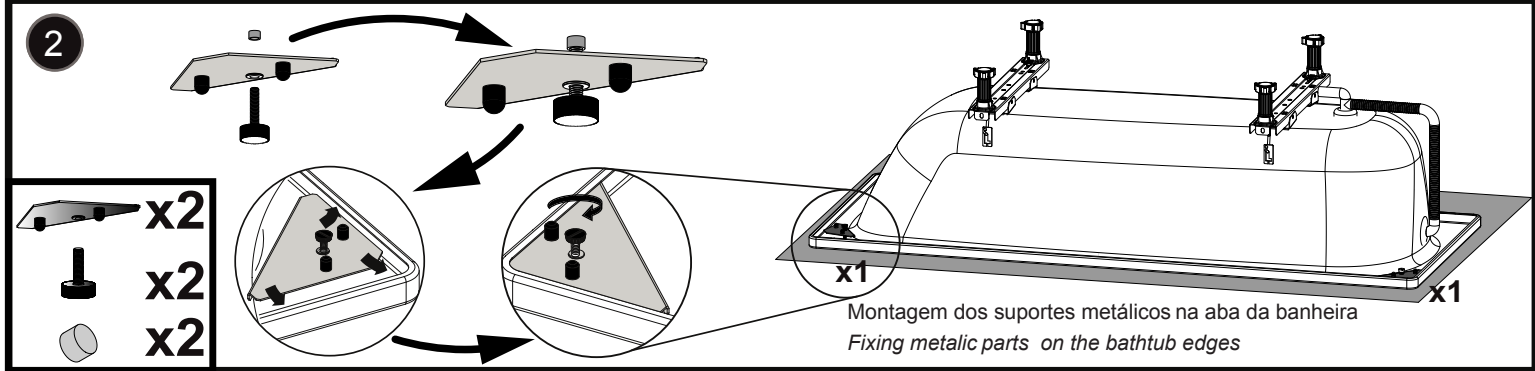


1 Montar os pés da banheira de acordo com as instruções de montagem.
 Assemble the bathtub metal feet according with the attached installation instructions.



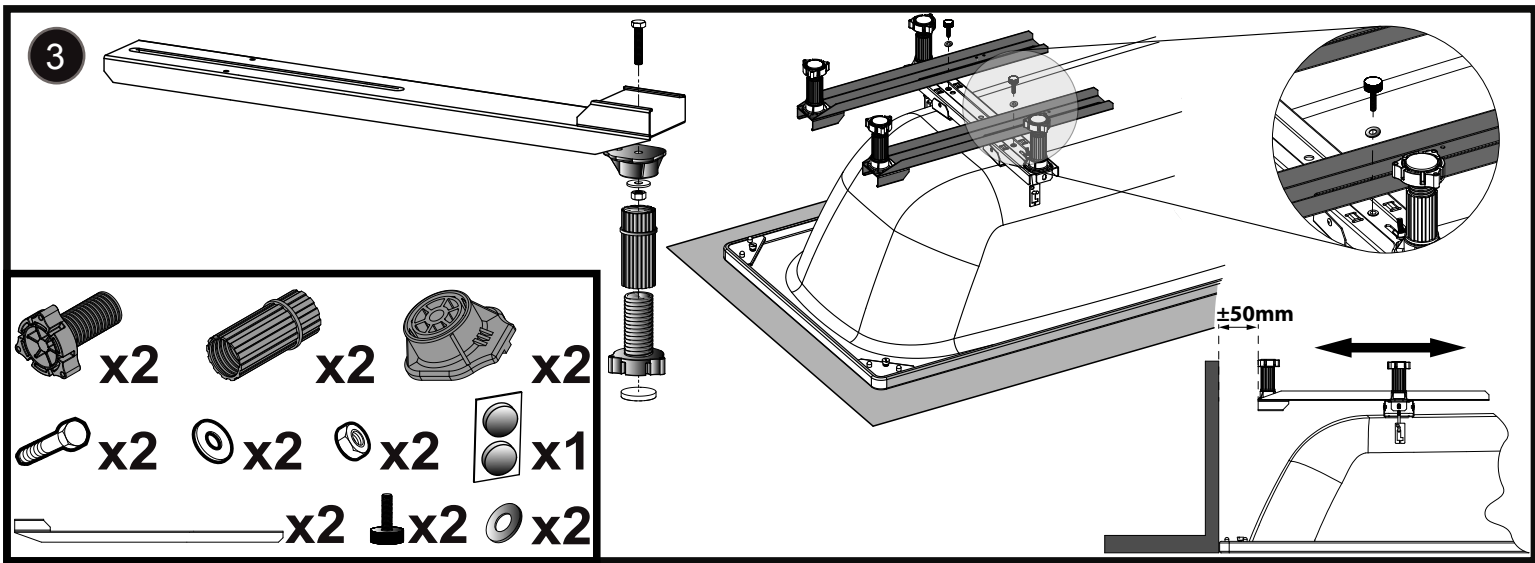
2

Montagem dos suportes metálicos na aba da banheira
 Fixing metallic parts on the bathtub edges

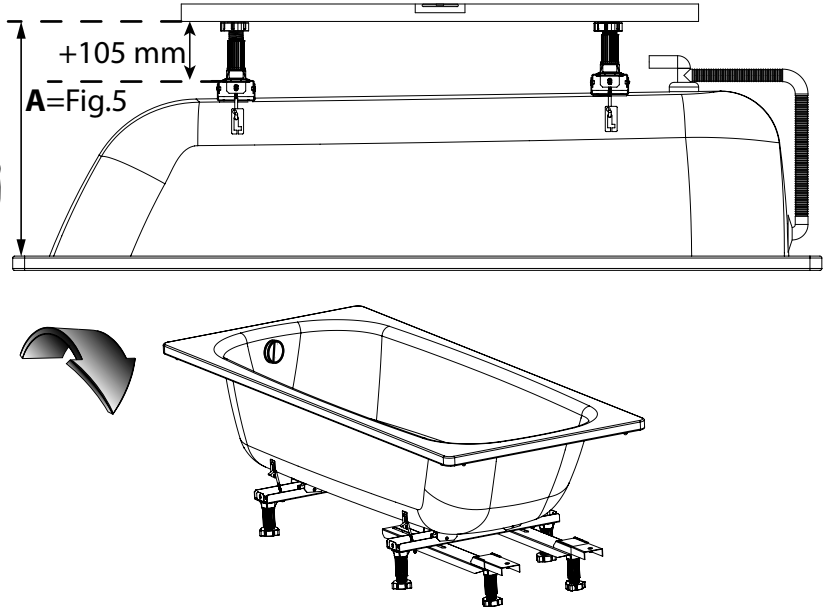


3

±50mm



4



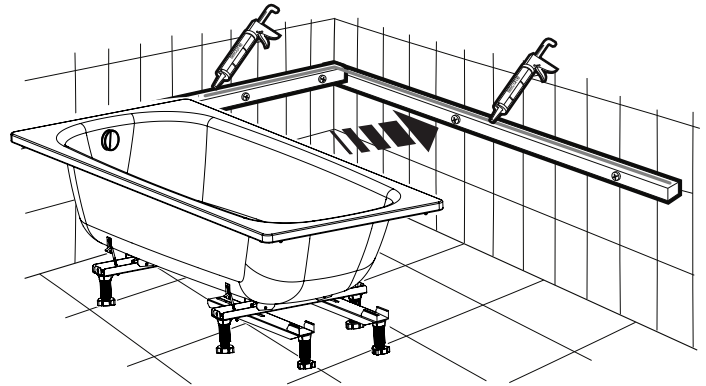
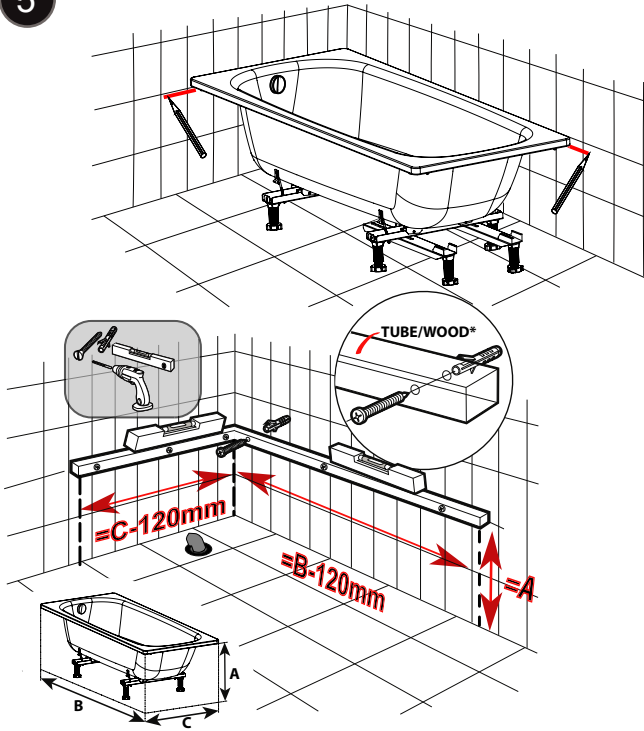
5

Fixar a banheira à parede de acordo com as instruções
 The bath rim should be supported on the sides against the wall

* Não incluído no kit
 Not included on the kit

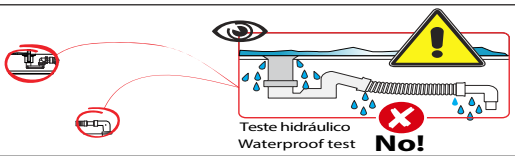
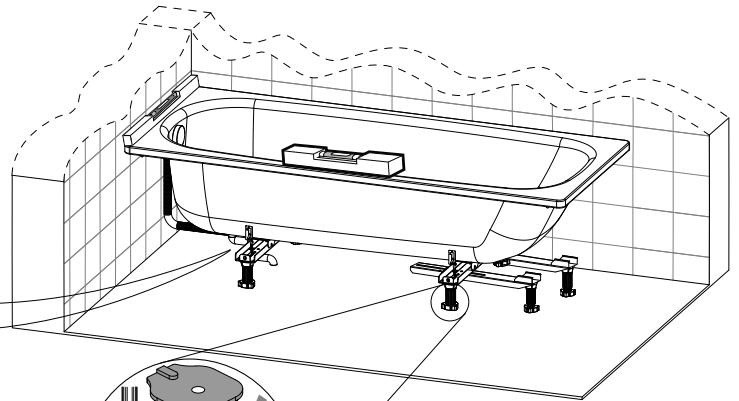
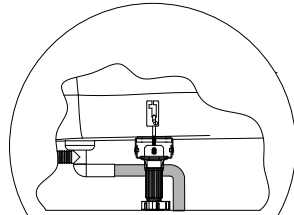
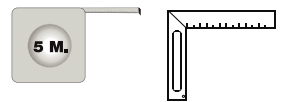


ATENÇÃO:
 Utilizar parafusos adequados ao tipo de material utilizado na parede.
 VERY IMPORTANT:
 Please note the screws chosen for the job must be compatible for the type of wall you are fixing into.

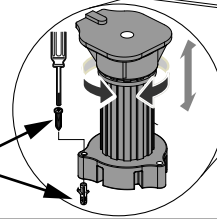


6

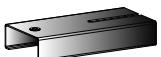
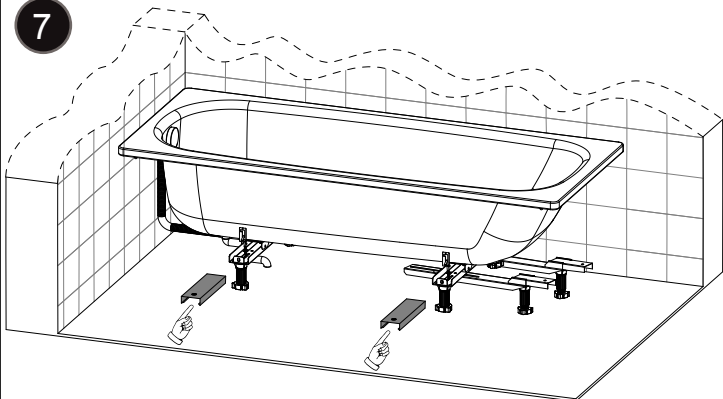
Montar as ligações de esgoto no local destinado
 Connect the bathtub drain and overflow fittings
 to the local sewerage



Não incluído no kit
 Not included on the kit

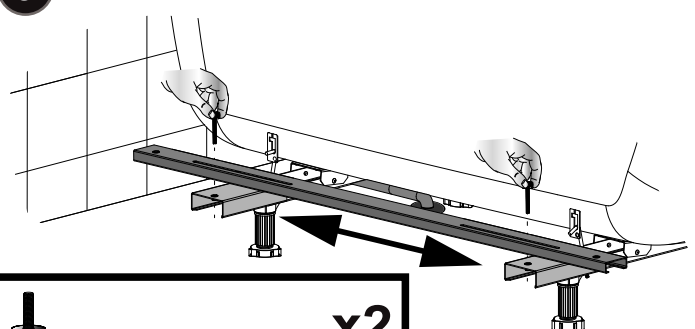


7

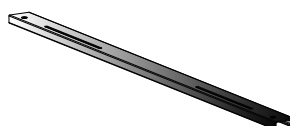


x2

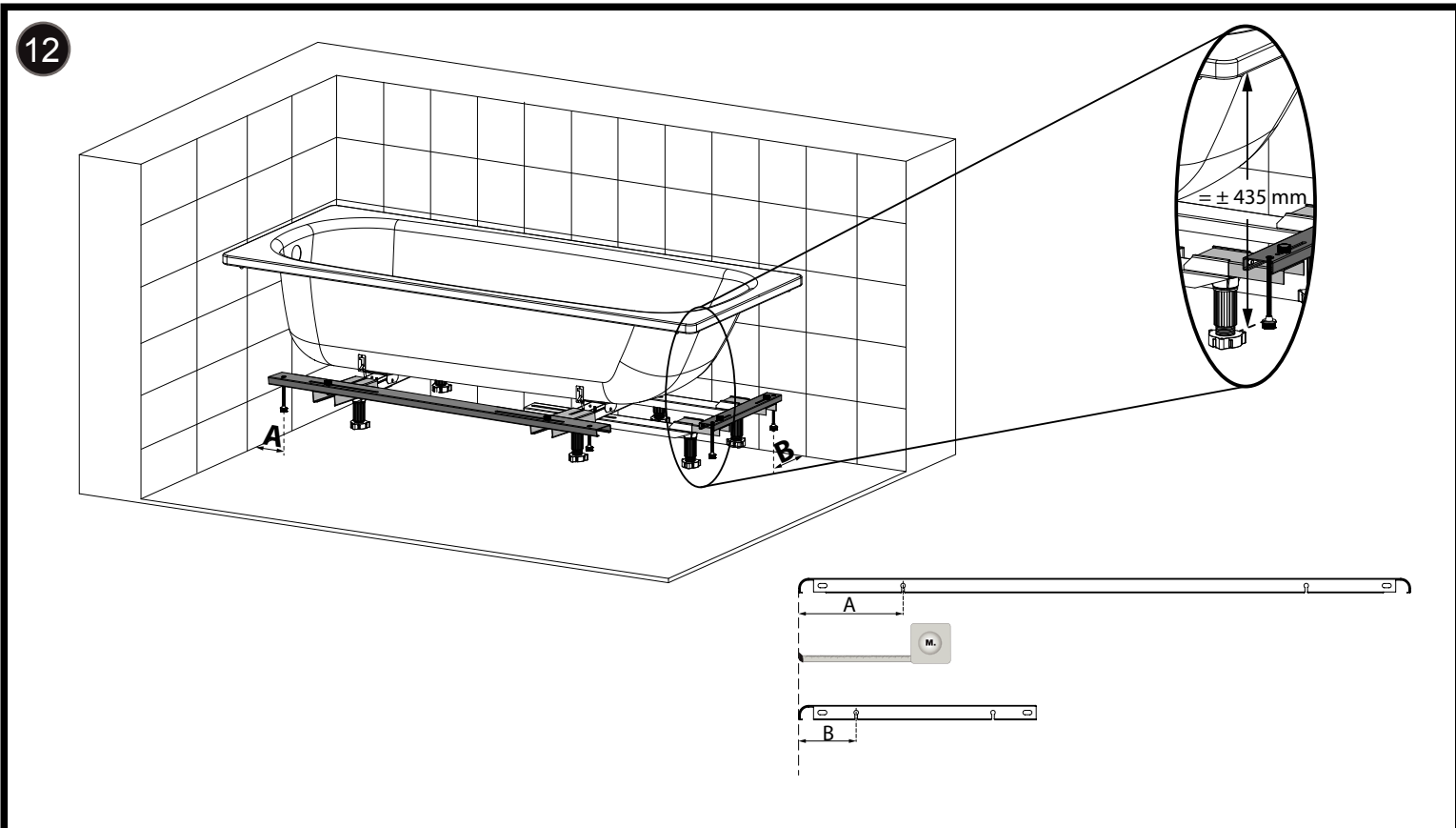
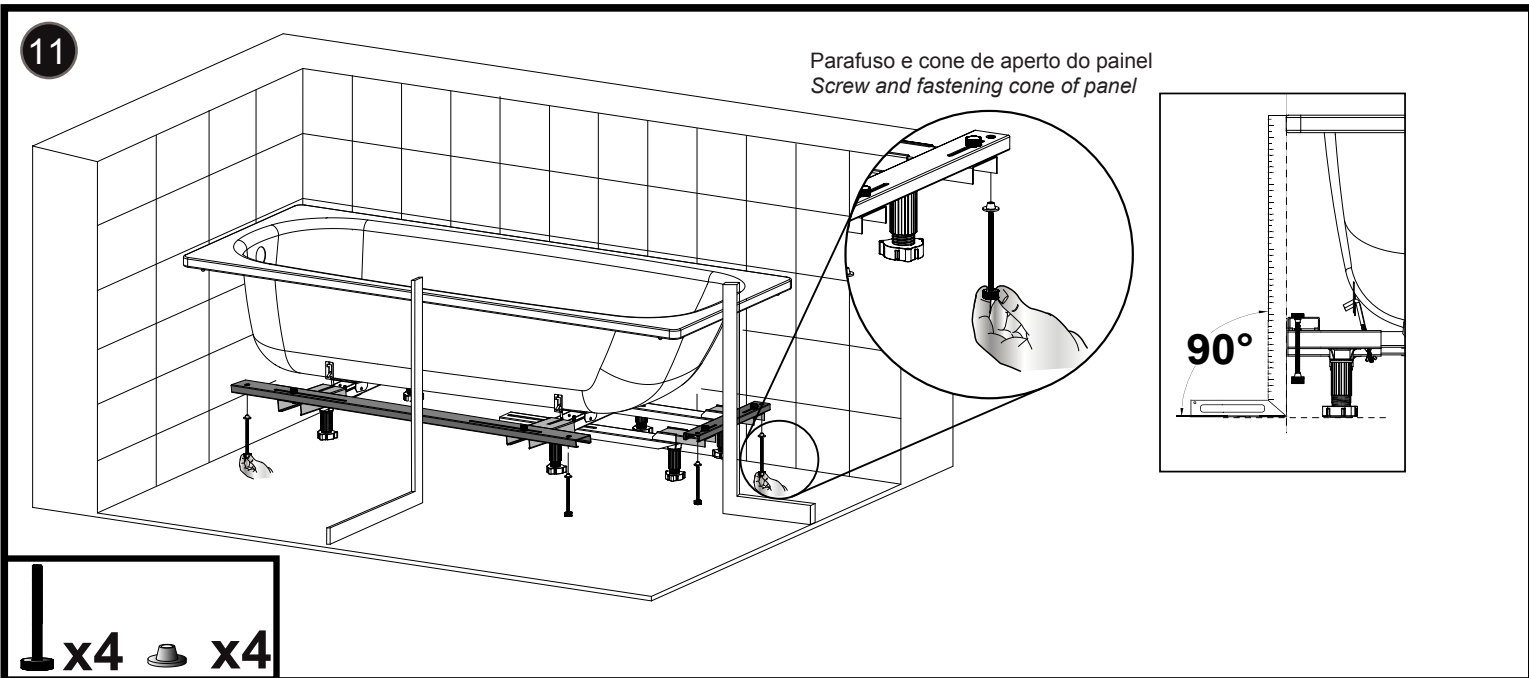
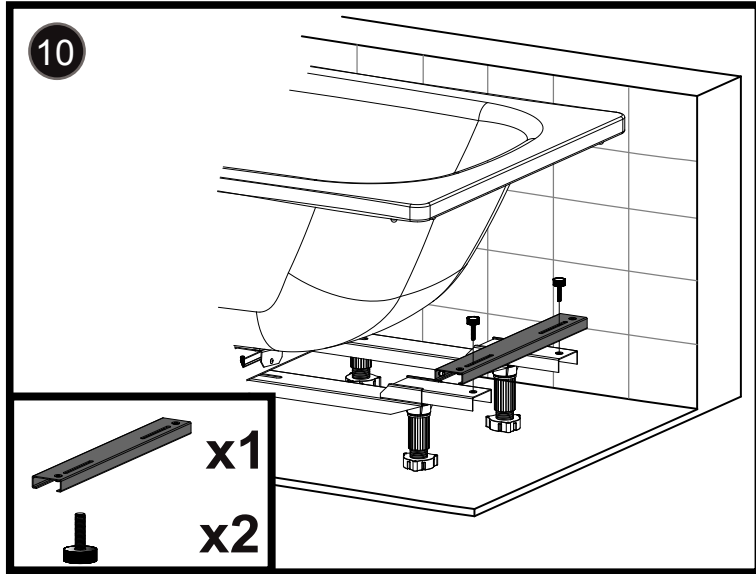
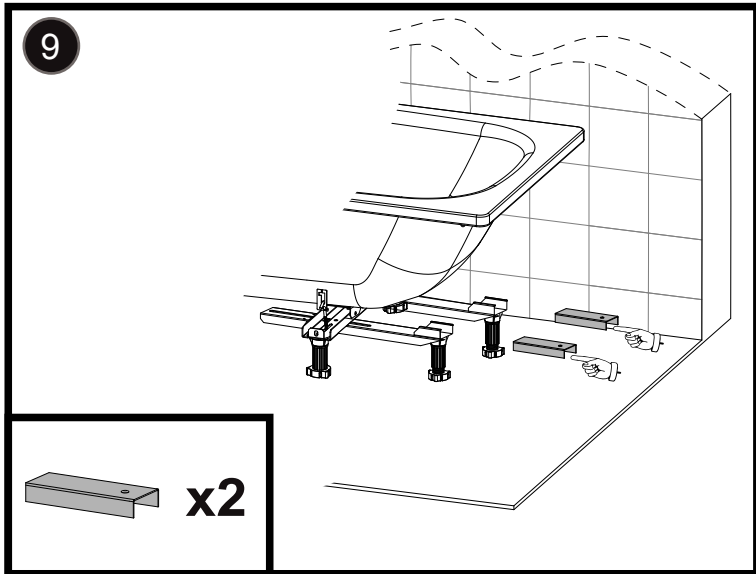
8



x2

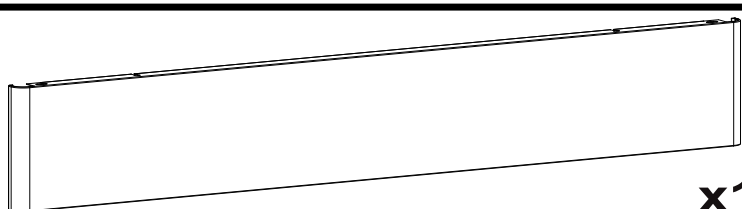
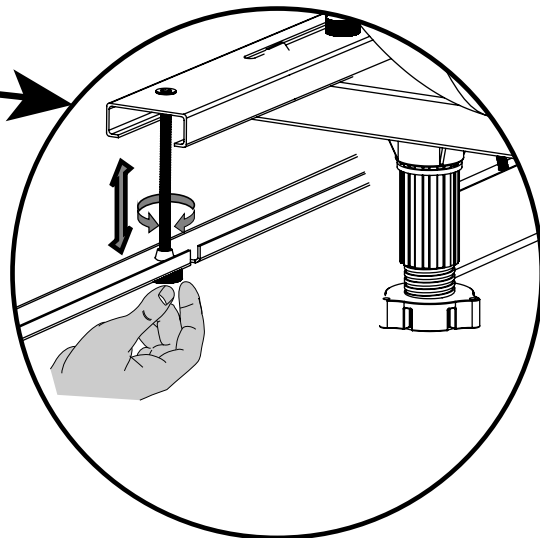
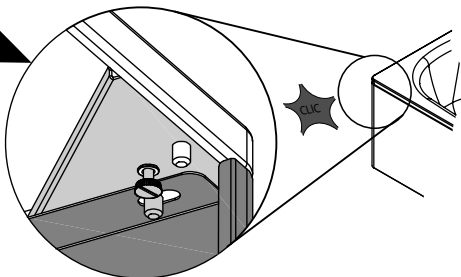
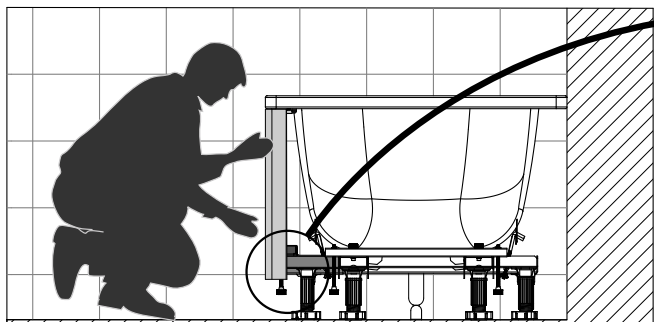
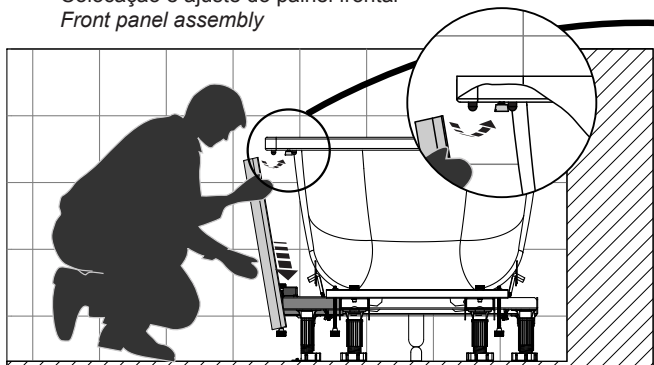


x1



13

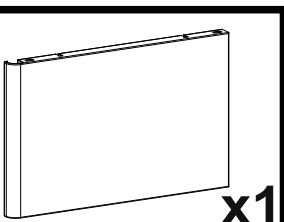
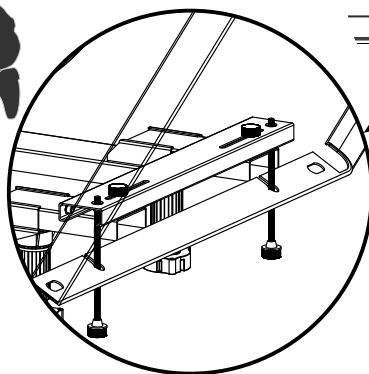
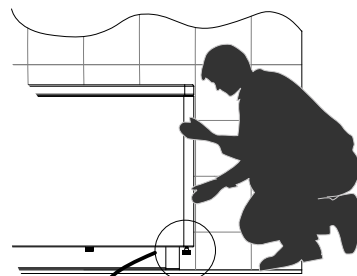
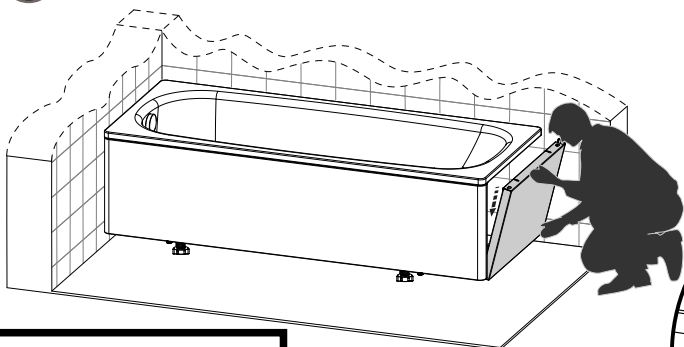
Colocação e ajuste do painel frontal
Front panel assembly



x1

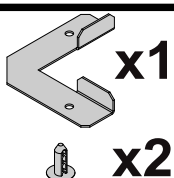
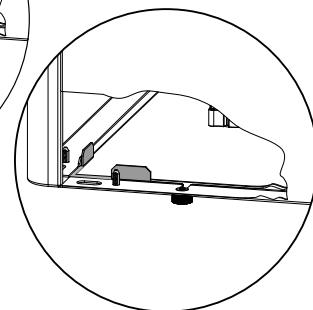
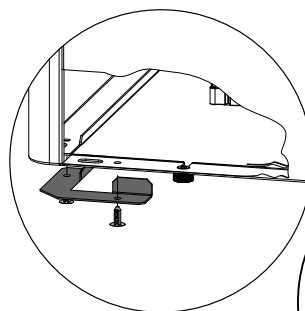
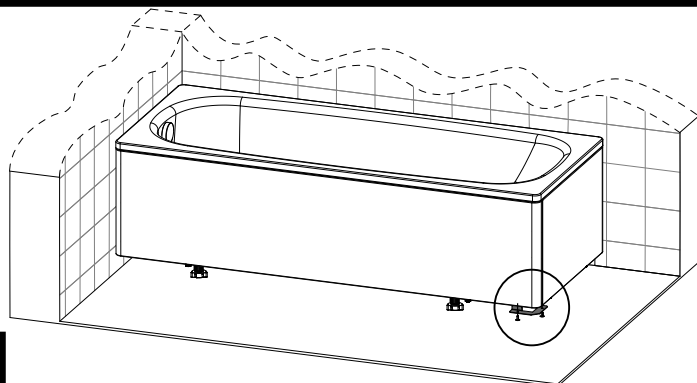
14

Colocação e ajuste do painel lateral
Side panel assembly



x1

15



x1

x2

União inferior dos painéis
Bottom unification of panels

FLTAPNLF+L_REV1

LAUFEN

Laufen Bathrooms AG
Wahlenstrasse 46
CH-4242 Laufen, Switzerland
www.laufen.com

LAUFEN QUALITY CONTROL

Controller's Name: _____

Fabrication-No.: _____

Date: _____



Laufen Bathrooms AG
EN 14516

Postfach 432

CH-4242 Laufen