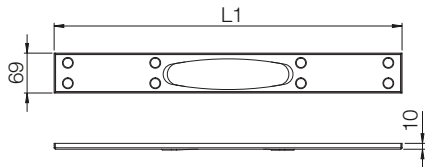


# Dimension sketches

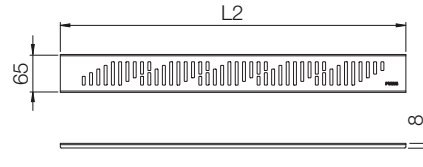
## PATTERN

Frame



L1 = 597, 697, 797, 897, 997, 1197

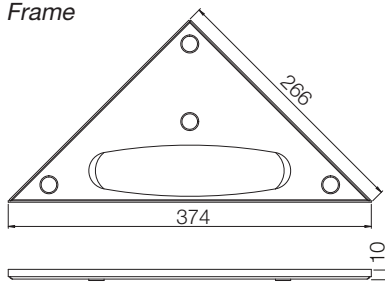
Grating



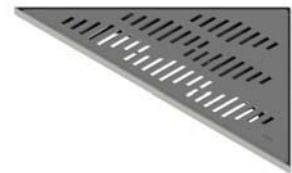
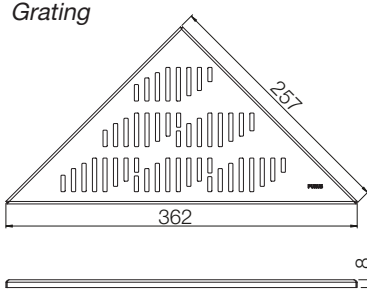
L2 = 593, 693, 793, 893, 993, 1193



Frame



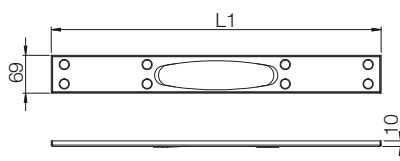
Grating



Applies to: TWIST, RIB, CHESS, PEARL, WAVE

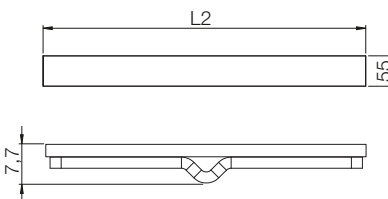
## PANEL

Frame

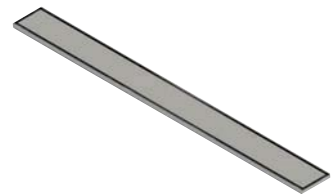


L1 = 597, 697, 797, 897, 997, 1197

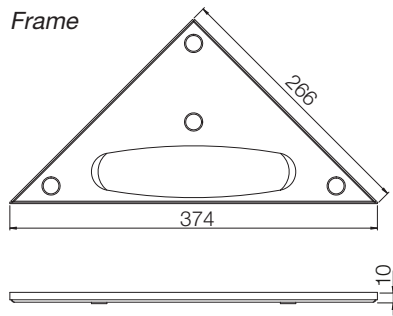
Panel



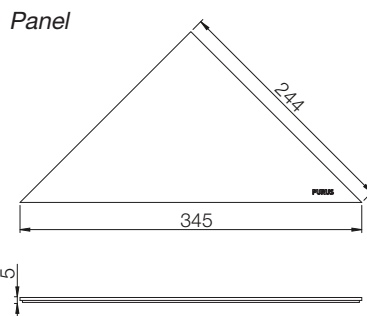
L2 = 584, 684, 784, 884, 984, 1184



Frame



Panel

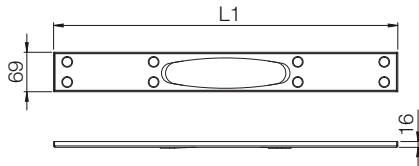


Applies to: PLATINUM

# Dimension sketches

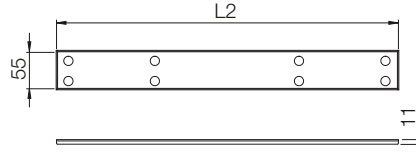
## TILE INSERT

Outer frame



L1 = 597, 697, 797, 897, 997

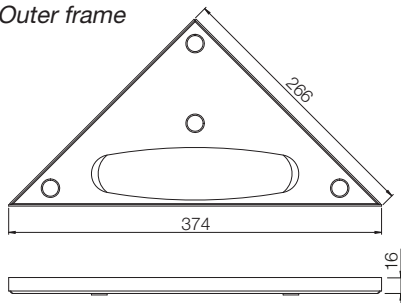
Inner frame



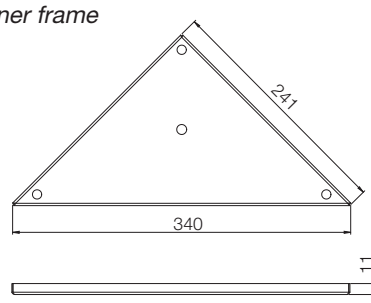
L2 = 584, 684, 784, 884, 984



Outer frame



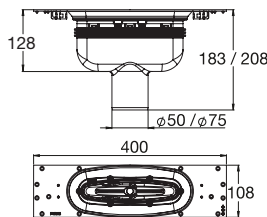
Inner frame



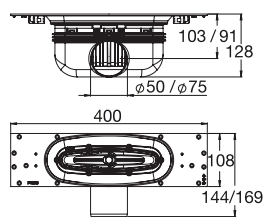
Applies to: TILE INSERT, FISH

## GULLIES

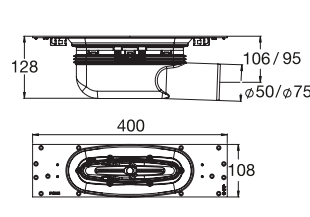
Purus Line and Purus Corner is available with different gullies. NOOD trap is included in all gullies except side for outlet  $\text{Ø}32/40$  mm.



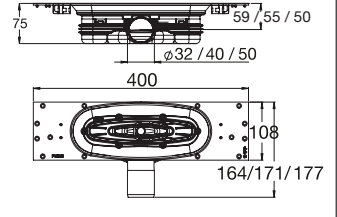
Bottom outlet  
 $\text{Ø}50/75$



Side outlet  
 $\text{Ø}50/75$



Gable outlet  
 $\text{Ø}50/75$



Low side outlet  
 $\text{Ø}32/40/50$