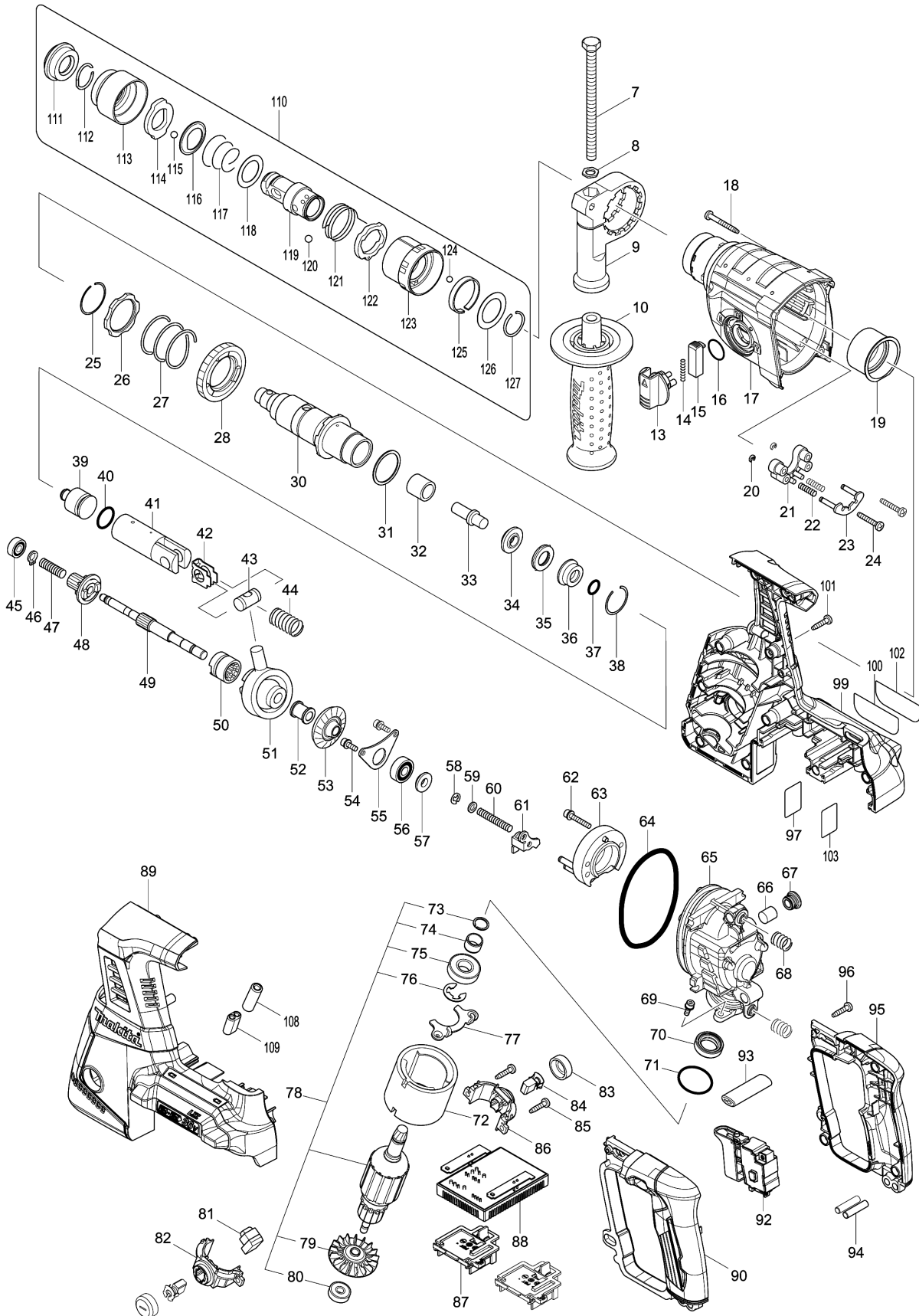


Model No.DHR264 26MM CRDLS COMBINATION HAMMER



Model No.DHR264 26MM CRDLS COMBINATION HAMMER

Item	Parts No.	Description	I/C	Qty	New/Old	Opt. 1	Opt. 2	Note
007	921923-8	HEX. BOLT M8X120		1				
008	345280-4	HEX. WASHER		1				
009	417630-4	GRIP BASE		1				
010	158057-6	GRIP 36 COMPLETE		1				
013	450980-4	CHANGE LEVER		1				
014	233279-0	COMPRESSION SPRING 4		1				
015	453706-3	LOCK BUTTON		1				
016	213278-8	O RING 17		1				
017	158945-7	GEAR HOUSING COMPLETE		1				
C10	213345-9	OIL SEAL 25		1				
018	266560-4	TAPPING SCREW 4X40		4				
019	153290-5	NEEDLE BEARING COMPLETE		1				
020	961017-7	STOP RING E-3		2				
021	417796-0	GUIDE BASE		1				
022	233344-5	COMPRESSION SPRING 4		2				
023	163430-7	LOCK PLATE COMPLETE		1				
024	266374-1	TAPPING SCREW 4X25		2				
025	233929-7	RING SPRING 29		1				
026	267460-1	WASHER 31		1				
027	233401-9	COMPRESSION SPRING 32		1				
028	227109-5	SPUR GEAR 51		1				
030	158307-9	TOOL HOLDER GUIDE COMPLETE		1				
031	267229-3	FLAT WASHER 28		1				
032	331769-8	SLEEVE 9		1				
033	324796-2	IMPACT BOLT		1				
034	324402-9	RING 10		1				
035	421955-0	CUSHION RING 13		1				
036	324216-6	O RING CASE		1				
037	213073-6	O RING 9		1				
038	233917-4	RING SPRING 28		1				
039	326404-1	STRIKER		1				
040	213227-5	O RING 16		1				
041	318132-2	PISTON CYLINDER		1				
042	346036-8	GUIDE PLATE		1				
043	324215-8	PISTON JOINT		1				
044	234098-7	COMPRESSION SPRING 14		1				
045	211012-0	BALL BEARING 606ZZ		1				
046	961003-8	RETAINING RING S-7		1				
047	233343-7	COMPRESSION SPRING 7		1				
048	227179-4	SPUR GEAR 10		1				
049	325976-3	CAM SHAFT		1				
050	331992-5	CLUTCH CAM		1				

Please order the parts with part number.

Print Date 26/3/2020

Model No.DHR264 26MM CRDLS COMBINATION HAMMER

Item	Parts No.	Description	I/C	Qty	New/Old	Opt. 1	Opt. 2	Note
051	219014-0	SWASH BEARING 10		1				
052	325640-6	SLEEVE 9		1				
053	227549-7	SPIRAL BEVEL GEAR 26		1				
054	266273-7	HEX. SOCKET HEAD BOLT M4X12		2				
055	346038-4	BEARING RETAINER B		1				
056	211032-4	BALL BEARING 608ZZ		1				
057	324212-4	RING 8		1				
058	961011-9	STOP RING E-4		1				
059	941102-2	FLAT WASHER 5		1				
060	233342-9	COMPRESSION SPRING 6		1				
061	345220-2	CHANGE PLATE		1				
062	922148-7	HEX. SOCKET HEAD BOLT M4X25		2				
063	158944-9	INNER SUPPORT COMPLETE		1				
064	213728-3	O-RING 68		1				
065	318392-6	INNER HOUSING		1				
066	443143-9	FILTER		1				
067	424185-2	CAP		1				
068	234097-9	COMPRESSION SPRING 10		2				
069	266273-7	HEX. SOCKET HEAD BOLT M4X12		2				
070	213231-4	OIL SEAL 15		1				
071	213437-4	O RING 28		1				
072	632828-4	YOKE UNIT		1				
073	961082-6	RETAINING RING WR12		1				
074	331596-3	SLEEVE 12		1				
075	211131-2	BALL BEARING 6001DDW		1				
076	961016-9	STOP RING E-10		1				
077	346037-6	BEARING RETAINER A		1				
078	519235-7	ARMATURE ASS'Y 36V		1				
D10		INC. 73-76,79,80						
079	240037-7	FAN 44		1				
080	210022-4	BALL BEARING 626DDW		1				
081	620281-6	LIGHT CIRCUIT		1				
082	644507-2	BRUSH HOLDER		1				
083	643829-7	HOLDER CAP		2				
084	194928-3	CARBON BRUSH CB-442		1				
085	266326-2	TAPPING SCREW 4X18		2				
086	644508-0	BRUSH HOLDER		1				
087	644808-8	TERMINAL		2				
088	620280-8	CONTROLLER		1				
089	187833-1	HOUSING SET		1				
C10	263005-3	RUBBER PIN 6		8				

Please order the parts with part number.

Print Date 26/3/2020

Model No.DHR264 26MM CRDLS COMBINATION HAMMER

Item	Parts No.	Description	I/C	Qty	New/Old	Opt. 1	Opt. 2	Note
C20	263025-7	RUBBER PIN 4		4				
C30	346783-1	PLATE		4				
C40	803F15-0	INDICATION LABEL		1				
D10		INC. 99						
090	187771-7	HANDLE SET		1				
D10		INC. 95						
092	650721-0	SWITCH		1				
093	454980-6	F/R CHANGE LEVER		1				
094	256261-2	PIN 6		2				
095	187771-7	HANDLE SET		1				
D10		INC. 90						
096	266326-2	TAPPING SCREW 4X18		4				
097	815K38-6	DHR264 SERIAL NO. LABEL		1				
099	187833-1	HOUSING SET		1				
C10	263005-3	RUBBER PIN 6		8				
C20	263025-7	RUBBER PIN 4		4				
C30	346783-1	PLATE		4				
C40	803F15-0	INDICATION LABEL		1				
D10		INC. 89						
100	815K31-0	DHR264 NAME PLATE		1				
101	266326-2	TAPPING SCREW 4X18		10				
102	803F14-2	CLEAR LABEL		1				
103	893072-0	CLEAR LABEL		1				
108	688165-4	LINE FILTER		1				
109	688172-7	LINE FILTER		1				
110	194080-7	TOOL HOLDER SET		1				
D10		INC. 111-127						
111	286263-4	CAP 35		1				
112	233940-9	RING SPRING 19		1				
113	418217-5	CHUCK COVER		1				
114	345333-9	STOPPER		1				
115	216022-2	STEEL BALL 7.0		1				
116	345187-4	GUIDE WASHER		1				
117	233916-6	CONICAL COMP. SPRING 21-29		1				
118	267279-8	FLAT WASHER 21		1				
119	324355-2	TOOL HOLDER		1				
120	216013-3	STEEL BALL 6		2				
121	231669-1	TORSION SPRING 31		1				
122	345334-7	CHANGE RING		1				
123	418218-3	CHANGE COVER		1				
124	216018-3	STEEL BALL 5.0		1				
125	345335-5	LEAF SPRING		1				

Please order the parts with part number.

Print Date 26/3/2020

Model No.DHR264 26MM CRDLS COMBINATION HAMMER

Item	Parts No.	Description	I/C	Qty	New/Old	Opt. 1	Opt. 2	Note
126	267270-6	FLAT WASHER 24		1				
127	233924-7	RING SPRING 21		1				
A01	194683-7	GREASE VESSEL SET		1	*			
A01-1	198993-4	GREASE VESSEL SET	<	1				
A02	324219-0	DEPTH GAUGE		1				
A03	443122-7	CLOTH		1				
A04	194079-2	DRILL CHUCK SET		1	*			
A04-1	194079-2	DRILL CHUCK SET	<	1				
A05B	***DC18RD	DC18RD TWO PORT FAST CHARGER		1				
A06-1B	196399-0	BATTERY BL1840 SET		2	*			
A06-2B	197265-4	BATTERY BL1840B SET	<	2	*			
A06-3B	197265-4	BATTERY BL1840B SET	O	2				
A07B	821552-6	CONNECTOR PLASTIC CASE (TYPE4)		1				
C10	453974-8	LATCH		4				
A08B	838257-1	INNER TRAY		1				
A09B	807D25-7	DHR264PM2J INDICATION LABEL		1				
A10B	807E95-2	DHR264PM2J PLASTIC CASE LABEL		2	*			
A10-1B	807D26-5	DHR264PM2J PLASTIC CASE LABEL	O	2				

Please order the parts with part number.

Print Date 26/3/2020