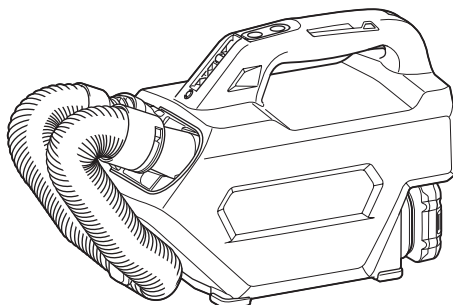




EN	Cordless Cleaner	INSTRUCTION MANUAL	8
SV	Sladdlös dammsugare	BRUKSANVISNING	15
NO	Batteridrevet støvsuger	BRUKSANVISNING	22
FI	Akkukäyttöinen pölynimuri	KÄYTTÖOHJE	29
LV	Bezvadū tīrītājs	LIETOŠANAS INSTRUKCIJA	36
LT	Belaidis siurblys	NAUDOJIMO INSTRUKCIJA	43
ET	Juhtmeta käsitolmuimeja	KASUTUSJUHEND	50
RU	Аккумуляторный пылесос	РУКОВОДСТВО ПО ЭКСПЛУАТАЦИИ	57

CL121D



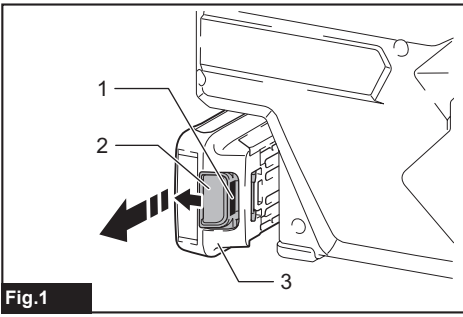


Fig.1

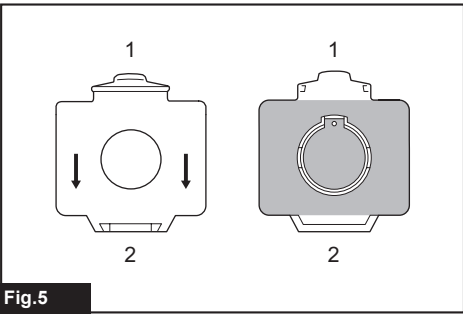


Fig.5

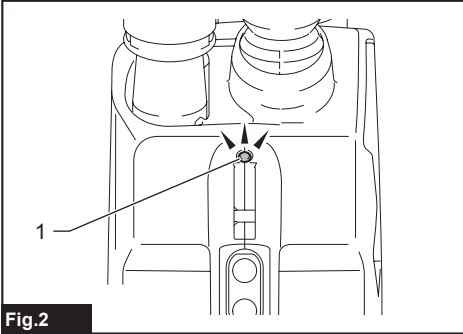


Fig.2

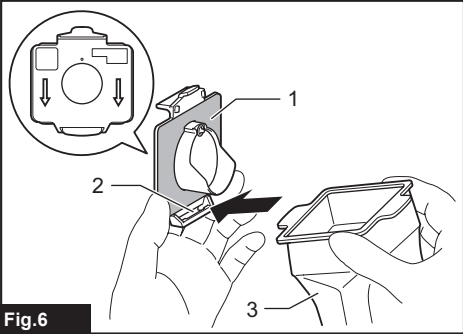


Fig.6

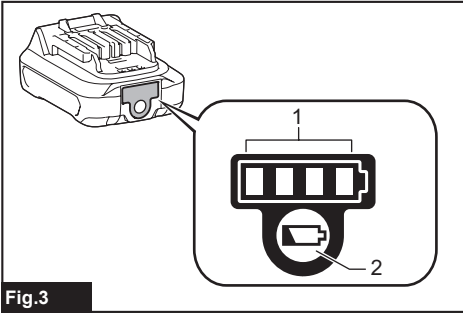


Fig.3

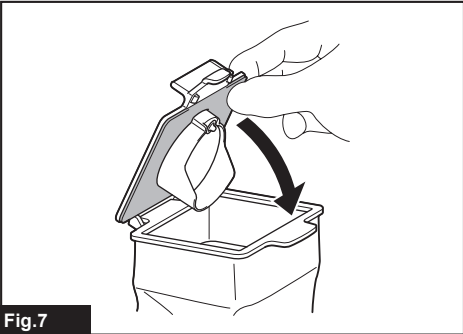


Fig.7

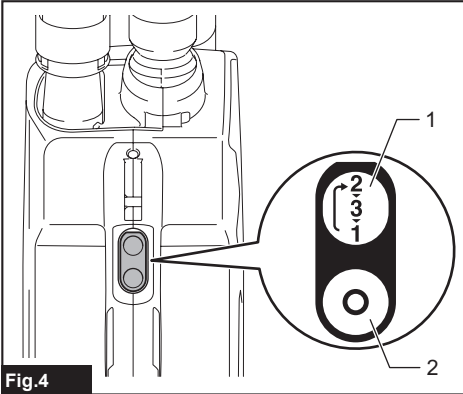


Fig.4

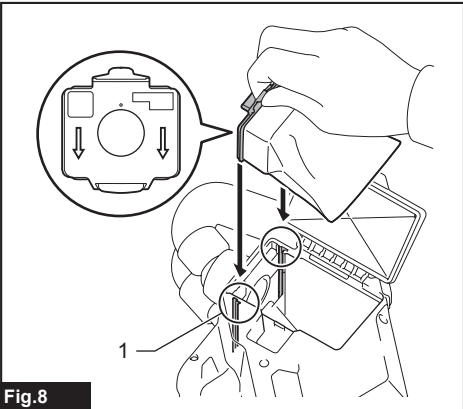


Fig.8

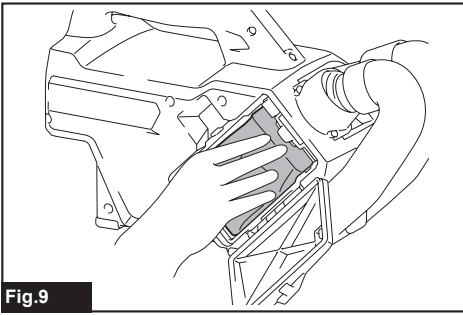


Fig.9

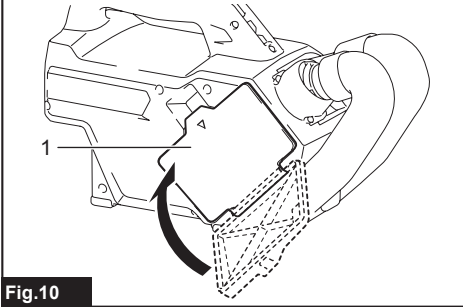


Fig.10

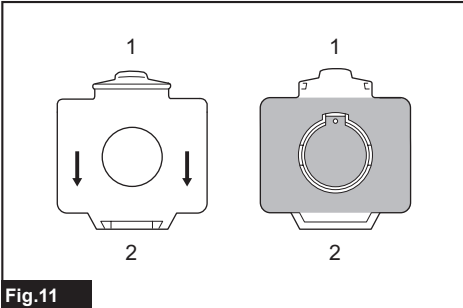


Fig.11

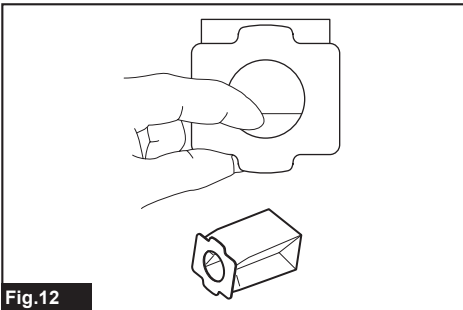


Fig.12

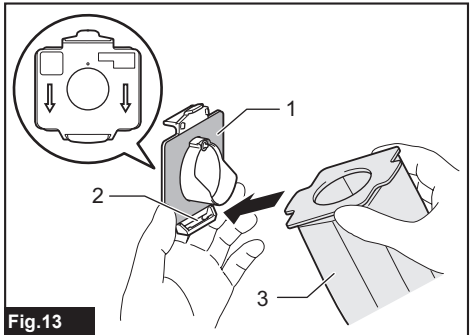


Fig.13

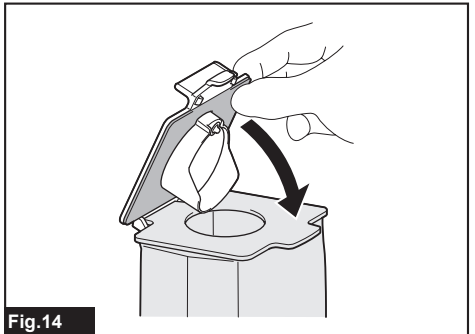


Fig.14

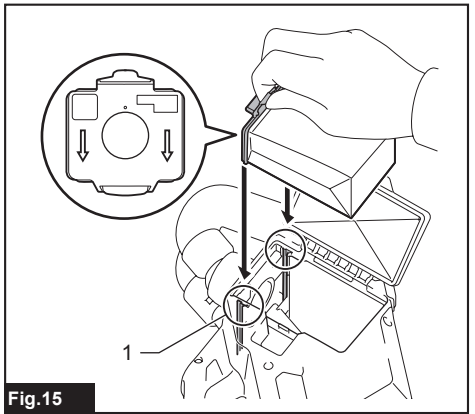


Fig.15

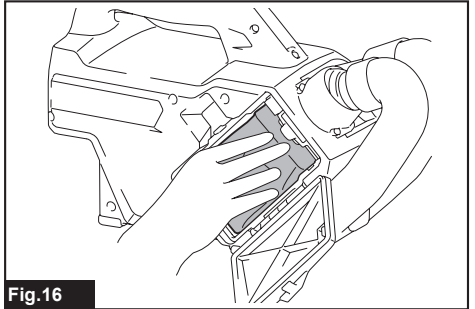


Fig.16

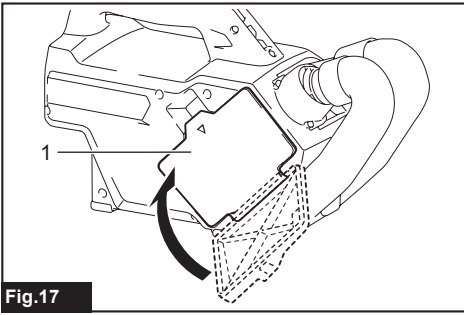


Fig.17

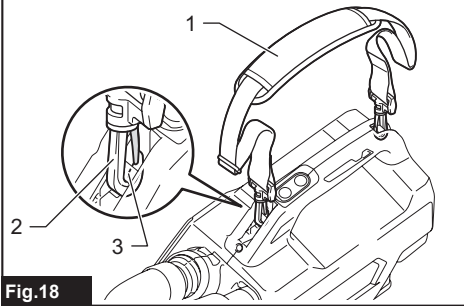


Fig.18

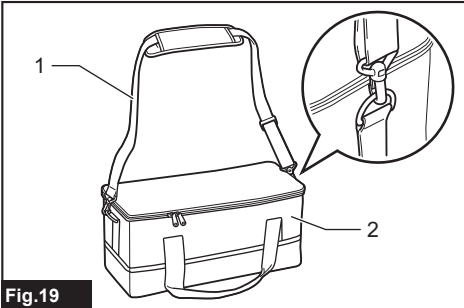


Fig.19

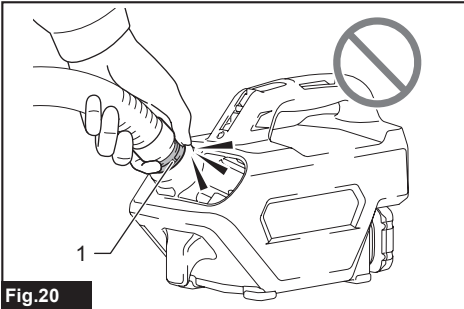


Fig.20

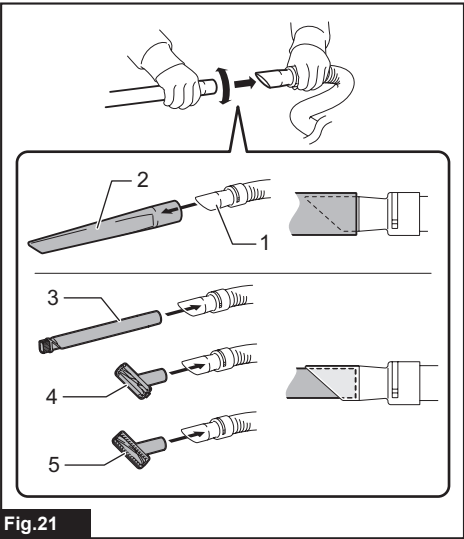


Fig.21

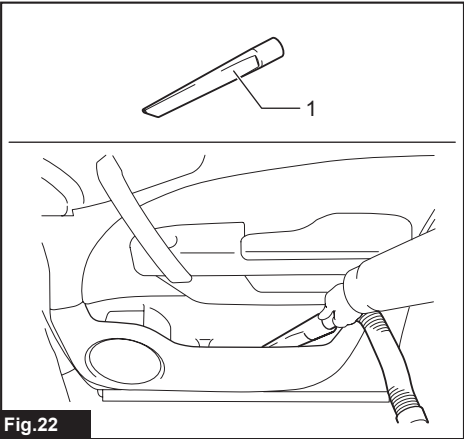


Fig.22

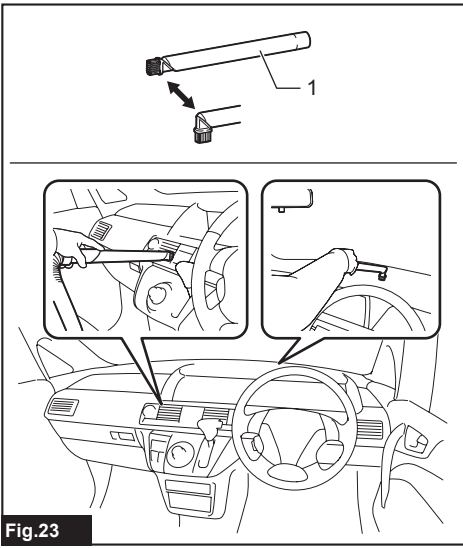


Fig.23

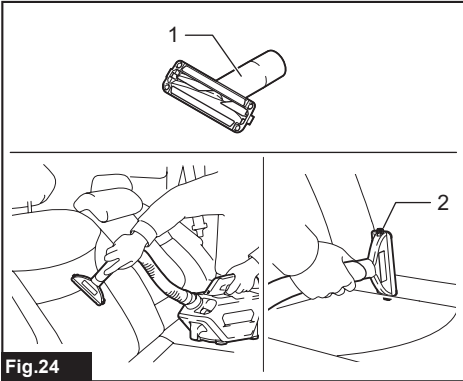


Fig.24

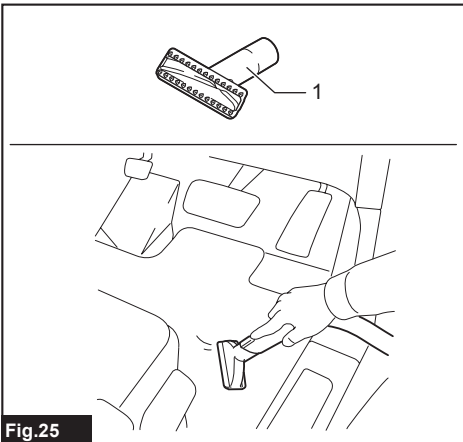


Fig.25

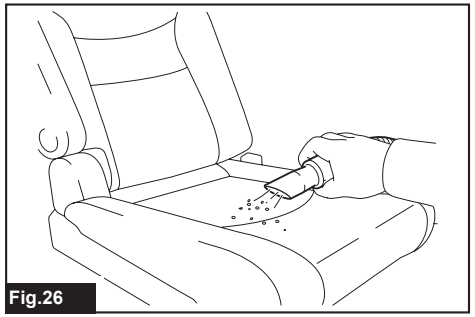


Fig.26

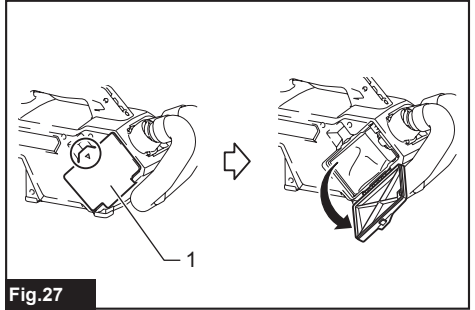


Fig.27

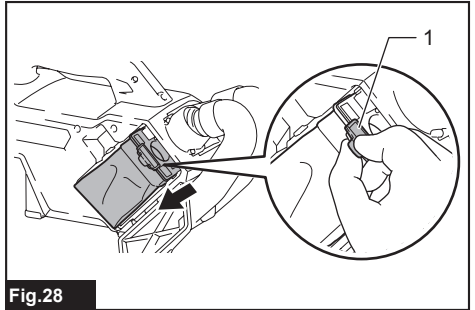


Fig.28

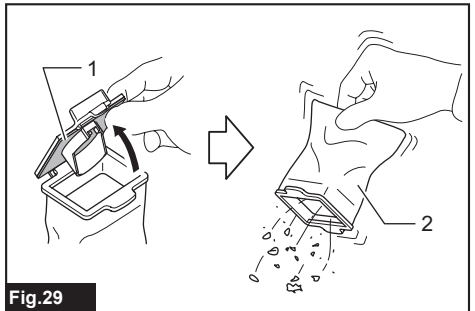


Fig.29

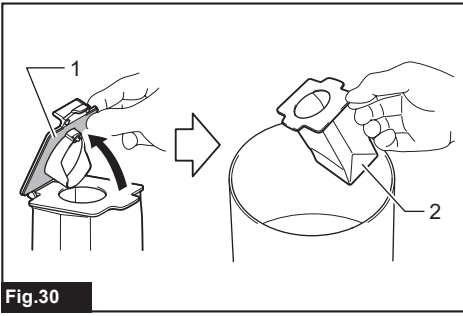


Fig.30

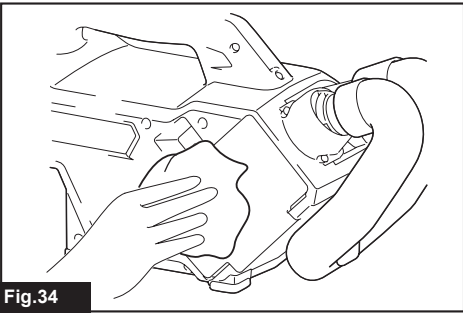


Fig.34

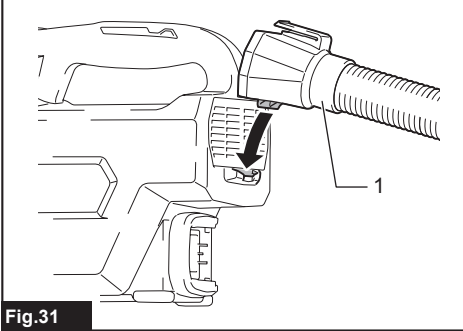


Fig.31

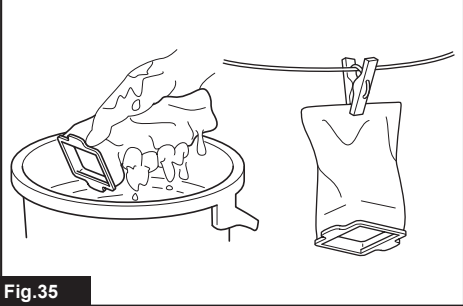


Fig.35

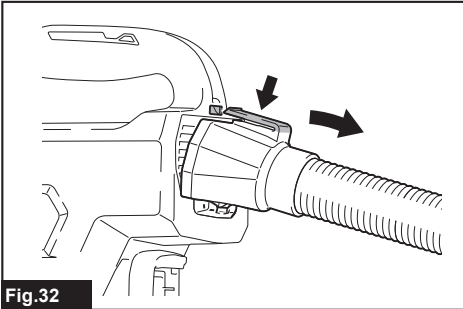


Fig.32

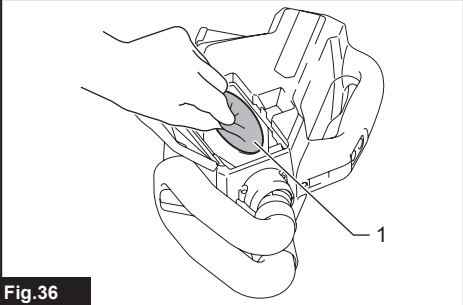


Fig.36

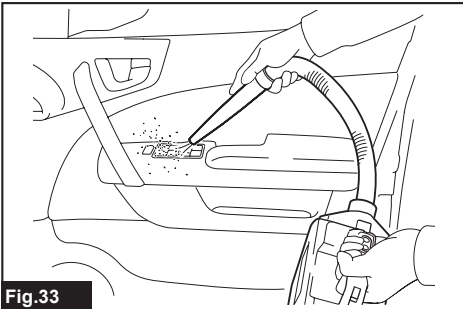


Fig.33

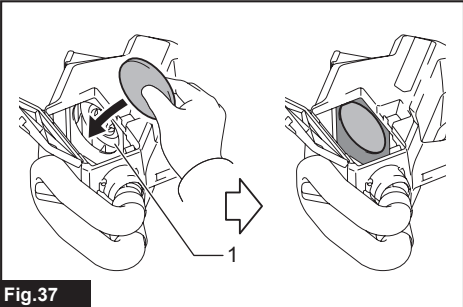


Fig.37

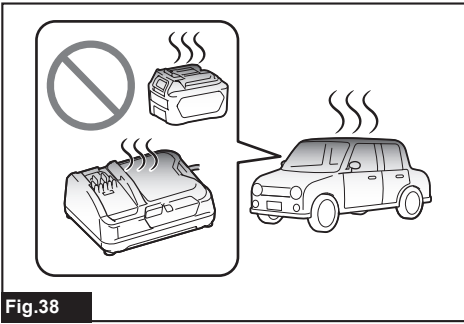


Fig.38

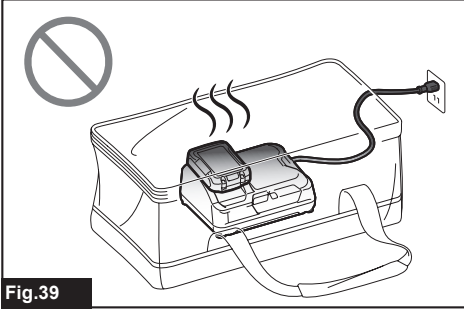


Fig.39

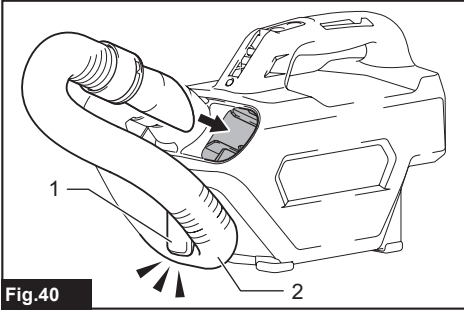


Fig.40

WARNING

This appliance can be used by children aged from 8 years and above and persons with reduced physical, sensory or mental capabilities or lack of experience and knowledge if they have been given supervision or instruction concerning use of the appliance in a safe way and understand the hazards involved. Children shall not play with the appliance. Cleaning and user maintenance shall not be made by children without supervision.

SPECIFICATIONS

Model:		CL121D
Capacity	with a dust bag	500 mL
	with a paper filter	330 mL
Continuous use (with battery BL1016)	1 (Normal speed mode)	Approx. 25 min
	2 (High speed mode)	Approx. 12 min
	3 (Max speed mode)	Approx. 10 min
Overall length (with battery BL1016)		345 mm
Rated voltage		D.C. 10.8 V - 12 V max
Net weight		1.7 - 1.8 kg

- Due to our continuing program of research and development, the specifications herein are subject to change without notice.
- Specifications may differ from country to country.
- The weight does not include accessories but battery cartridge(s). The lightest and heaviest combination weight of the appliance and battery cartridge(s) are shown in the table.

Applicable battery cartridge and charger

Battery cartridge	BL1015 / BL1016 / BL1020B / BL1021B / BL1040B / BL1041B
Charger	DC10SA / DC10SB / DC10WC / DC10WD / DC18RE

- Some of the battery cartridges and chargers listed above may not be available depending on your region of residence.

⚠ WARNING: Only use the battery cartridges and chargers listed above. Use of any other battery cartridges and chargers may cause injury and/or fire.

Symbols

The followings show the symbols used for the equipment. Be sure that you understand their meaning before use.



Read instruction manual.



Ni-MH
Li-ion

Only for EU countries
Do not dispose of electric equipment or battery pack together with household waste material! In observance of the European Directives, on Waste Electric and Electronic Equipment and Batteries and Accumulators and Waste Batteries and Accumulators and their implementation in accordance with national laws, electric equipment and batteries and battery pack(s) that have reached the end of their life must be collected separately and returned to an environmentally compatible recycling facility.

Intended use

The tool is intended for collecting dry dust.

SAFETY WARNINGS

Cordless cleaner safety warnings

⚠ WARNING: IMPORTANT! READ CAREFULLY all safety warnings and all instructions BEFORE USE. Failure to follow the warnings and instructions may result in electric shock, fire and/or serious injury.

1. Do not expose to rain. Store indoors.
2. Do not allow to be used as a toy. Close attention is necessary when used by or near children.
3. Use only as described in this manual. Use only manufacturer's recommended attachments.
4. Do not use with damaged battery. If appliance is not working as it should, has been dropped, damaged, left outdoors, or dropped into water, return it to a service center.
5. Do not handle appliance with wet hands.
6. Do not put any object into openings. Do not use with any opening blocked; keep free of dust, lint, hair, and anything that may reduce air flow.
7. Keep hair, loose clothing, fingers, and all parts of body away from openings and moving parts.
8. Turn off all controls before removing the battery.
9. Use extra care when cleaning on stairs.
10. Do not use to pick up flammable or combustible liquids, such as gasoline, or use in areas where they may be present.
11. Use only the charger supplied by the manufacturer to recharge.
12. Do not pick up anything that is burning or smoking, such as cigarettes, matches, or hot ashes.
13. Do not use without dust bag and/or filters in place.
14. Do not charge the battery outdoors.
15. Recharge only with the charger specified by the manufacturer. A charger that is suitable for one type of battery pack may create a risk of fire when used with another battery pack.
16. Use power tools only with specifically designated battery packs. Use of any other battery packs may create a risk of injury and fire.
17. When (the) battery pack is not in use, keep it away from other metal objects, like paper clips, coins, keys, nails, screws or other small metal objects, that can make a connection from one terminal to another.
18. Under abusive conditions, liquid may be ejected from the battery; avoid contact. If contact accidentally occurs, flush with water.
19. Do not use a battery pack or tool that is damaged or modified. Damaged or modified batteries may exhibit unpredictable behaviour resulting in fire, explosion or risk of injury.

20. Do not expose a battery pack or tool to fire or excessive temperature. Exposure to fire or temperature above 130 °C may cause explosion.
21. Follow all charging instructions and do not charge the battery pack or tool outside the temperature range specified in the instructions. Charging improperly or at temperatures outside the specified range may damage the battery and increase the risk of fire.

SAVE THESE INSTRUCTIONS.

ADDITIONAL SAFETY RULES

This appliance is intended for household use.

1. Read this instruction manual and the charger instruction manual carefully before use.
2. Do not pick up the following materials:
 - Hot materials such as lit cigarettes or spark/metal dust generated by grinding/cutting metal
 - Flammable materials such as gasoline, thinner, benzine, kerosene or paint
 - Explosive materials like nitroglycerin
 - Ignitable materials such as Aluminum, zinc, magnesium, titanium, phosphorus or celluloid
 - Wet dirt, water, oil or the like
 - Hard pieces with sharp edges, such as wood chips, metals, stones, glasses, nails, pins or razors
 - Powder to clot such as cement or toner
 - Conductive dust such as metal or carbon
 - Fine particle like concrete dustSuch action may cause fire, injury and/or property damage.
3. Stop operation immediately if you notice anything abnormal.
4. If you drop or strike the cleaner, check it carefully for cracks or damage before operation.
5. Do not bring close to stoves or other heat sources.
6. Do not block the intake hole or vent holes.

SAVE THESE INSTRUCTIONS.

Important safety instructions for battery cartridge

1. Before using battery cartridge, read all instructions and cautionary markings on (1) battery charger, (2) battery, and (3) product using battery.
2. Do not disassemble battery cartridge.
3. If operating time has become excessively shorter, stop operating immediately. It may result in a risk of overheating, possible burns and even an explosion.
4. If electrolyte gets into your eyes, rinse them out with clear water and seek medical attention right away. It may result in loss of your eyesight.

5. **Do not short the battery cartridge:**
 - (1) **Do not touch the terminals with any conductive material.**
 - (2) **Avoid storing battery cartridge in a container with other metal objects such as nails, coins, etc.**
 - (3) **Do not expose battery cartridge to water or rain.**

A battery short can cause a large current flow, overheating, possible burns and even a breakdown.

6. **Do not store the tool and battery cartridge in locations where the temperature may reach or exceed 50 °C (122 °F).**
7. **Do not incinerate the battery cartridge even if it is severely damaged or is completely worn out. The battery cartridge can explode in a fire.**
8. **Be careful not to drop or strike battery.**
9. **Do not use a damaged battery.**
10. **The contained lithium-ion batteries are subject to the Dangerous Goods Legislation requirements.**

For commercial transports e.g. by third parties, forwarding agents, special requirement on packaging and labeling must be observed.

For preparation of the item being shipped, consulting an expert for hazardous material is required. Please also observe possibly more detailed national regulations.

Tap or mask off open contacts and pack up the battery in such a manner that it cannot move around in the packaging.

11. **Follow your local regulations relating to disposal of battery.**
12. **Use the batteries only with the products specified by Makita.** Installing the batteries to non-compliant products may result in a fire, excessive heat, explosion, or leak of electrolyte.

SAVE THESE INSTRUCTIONS.

CAUTION: Only use genuine Makita batteries. Use of non-genuine Makita batteries, or batteries that have been altered, may result in the battery bursting causing fires, personal injury and damage. It will also void the Makita warranty for the Makita tool and charger.

Tips for maintaining maximum battery life

1. **Charge the battery cartridge before completely discharged. Always stop tool operation and charge the battery cartridge when you notice less tool power.**
2. **Never recharge a fully charged battery cartridge. Overcharging shortens the battery service life.**
3. **Charge the battery cartridge with room temperature at 10 °C - 40 °C (50 °F - 104 °F). Let a hot battery cartridge cool down before charging it.**

FUNCTIONAL DESCRIPTION

CAUTION: Always be sure that the tool is switched off and the battery cartridge is removed before adjusting or checking function on the tool.

CAUTION: Take care not to trap finger(s) between cleaner and battery when loading battery. Trapping finger(s) may cause injury.

Installing or removing battery cartridge

CAUTION: Always switch off the tool before installing or removing of the battery cartridge.

CAUTION: Hold the tool and the battery cartridge firmly when installing or removing battery cartridge. Failure to hold the tool and the battery cartridge firmly may cause them to slip off your hands and result in damage to the tool and battery cartridge and a personal injury.

► **Fig.1:** 1. Red indicator 2. Button 3. Battery cartridge

To remove the battery cartridge, slide it from the tool while sliding the button on the front of the cartridge.

To install the battery cartridge, align the tongue on the battery cartridge with the groove in the housing and slip it into place. Insert it all the way until it locks in place with a little click. If you can see the red indicator on the upper side of the button, it is not locked completely.

CAUTION: Always install the battery cartridge fully until the red indicator cannot be seen. If not, it may accidentally fall out of the tool, causing injury to you or someone around you.

CAUTION: Do not install the battery cartridge forcibly. If the cartridge does not slide in easily, it is not being inserted correctly.

Tool / battery protection system

The tool is equipped with a tool/battery protection system. This system automatically cuts off power to the motor to extend tool and battery life.

The tool will automatically stop during operation if the tool or battery are placed under one of the following conditions. In some conditions, the indication lamp lights up.

► **Fig.2:** 1. Indication lamp

Overload protection

When the tool is operated in a manner that causes it to draw an abnormally high current, the tool stops automatically and the indicator blinks for about 60 seconds. In this situation, turn the tool off and stop the application that caused the tool to become overloaded. Then turn the tool on to restart.

Overheat protection

When the tool/battery is overheated, the tool stops automatically and the battery indicator lights up for about 60 seconds. The tool does not start even if you turn the tool on. In this situation, let the battery cool before turning the tool on again.

Overdischarge protection

When the remaining battery capacity gets low, the indicator blinks. By further use, the tool stops and the indicator lights up for about 60 seconds. If you turn the tool on, the motor runs again but stops soon. In this situation, charge the battery cartridge.









NOTE: The timing, at which the lamp lights up, depends on the temperature at work place and the battery cartridge conditions.

Indicating the remaining battery capacity

Only for battery cartridges with the indicator

► **Fig.3:** 1. Indicator lamps 2. Check button

Press the check button on the battery cartridge to indicate the remaining battery capacity. The indicator lamps light up for a few seconds.

Indicator lamps		Remaining capacity
Lighted	Off	
		75% to 100%
		50% to 75%
		25% to 50%
		0% to 25%

NOTE: Depending on the conditions of use and the ambient temperature, the indication may differ slightly from the actual capacity.

Switch action

► **Fig.4:** 1. ON/speed change button 2. OFF button

To start the cleaner, simply push the ON/speed change button. To switch off, push the OFF button.

You can change the cleaner speed in three steps by pushing the ON/speed change button.

The first push on this button is for high speed mode, the second push for max speed mode and the third push for normal speed mode. Each push on this button repeats the high/max/normal speed cycle alternatively.

ASSEMBLY

CAUTION: Always be sure that the tool is switched off and the battery cartridge is removed before carrying out any work on the tool.

Dust bag and paper filter

Install either dust bag or paper filter before using cleaner.

Use the dust stopper when installing either dust bag or paper filter.

Dust bag are usable many times repeatedly by cleaning it out.

Paper filter is a throw-away type. Throw away the entire paper filter without emptying when it has become full.

NOTICE: To prevent dust from getting into the motor:

- Make sure that the dust bag or paper filter is installed before use.
- Insert the dust stopper together with the dust bag or paper filter all the way into the slots when installing them.
- Do not use a broken or ripped bag.

Otherwise the motor may be broken.

NOTICE: Do not fold the cardboard at its opening when installing the paper filter.

NOTICE: Never throw away the dust stopper because it needs to be used repeatedly whenever either the dust bag or the paper filter is used.

NOTICE: The paper filter for the cleaner is an important component for maintaining the tool performance. Using other than the genuine paper filter may cause smokes or ignition.

Installing dust bag

Use the dust stopper when installing dust bag. Be careful not to take the upper side for the lower side by mistake because they are different each other.

► **Fig.5:** 1. Upper side of the dust stopper 2. Lower side of the dust stopper

1. Insert the protrusion of the dust bag into the groove on the dust stopper as shown in the figure.

The dust bag does not have distinction between the upper and lower sides. You can insert its protrusion of either side into the groove of the dust stopper.

► **Fig.6:** 1. Dust stopper 2. Groove 3. Dust bag

2. Overlap the frame of dust stopper with that of the dust bag.

► **Fig.7**

3. Place the dust stopper and the dust bag together into the cleaner cavity in the same direction of arrow on the dust stopper. Insert them all the way into the slots in the cleaner cavity.

► **Fig.8:** 1. Slot

4. Place the entire cloth part of the dust bag inside the cleaner itself.

► **Fig.9**

5. Close the dust case cover completely.

► **Fig.10:** 1. Dust case cover

NOTE: When the dust bag is not installed in the cleaner, the dust case cover does not close completely.

Installing the paper filter

Use the dust stopper also when installing paper filter. Be careful not to take the upper side for the lower side by mistake because they are different each other.

► **Fig.11:** 1. Upper side of the dust stopper 2. Lower side of the dust stopper

1. Unfold the entrance of the paper filter before setting it on the dust stopper.

► **Fig.12**

2. Insert the protrusion of the paper filter into the groove on the dust stopper as shown in the figure.

The paper filter does not have distinction between the upper and lower sides. You can insert its protrusion of either side into the groove of the dust stopper.

► **Fig.13:** 1. Dust stopper 2. Groove 3. Paper filter

3. Overlap the frame of dust stopper with that of the paper filter.

► **Fig.14**

4. Place the dust stopper and the paper filter together into the cleaner cavity in the same direction of arrow on the dust stopper. Insert them all the way into the slots in the cleaner cavity.

► **Fig.15:** 1. Slot

5. Place the entire container part of the paper filter inside the tool itself.

► **Fig.16**

6. Close the dust case cover completely.

► **Fig.17:** 1. Dust case cover

NOTE: When the paper filter is not installed in the cleaner, the dust case cover does not close completely.

Installing the shoulder strap

CAUTION: Be careful not to get the shoulder strap caught by objects in your surroundings.

CAUTION: Be careful not to slip the shoulder strap off from your shoulder when using the cleaner. For stable handling of the cleaner, it is recommended to wear the shoulder strap crossed in front of your chest.

Attach the hooks of the shoulder strap onto the mounts of the cleaner as shown in the figure.

► **Fig.18:** 1. Shoulder strap 2. Hook 3. Mount

NOTE: You can also attach the shoulder strap to the soft bag (optional accessory) as illustrated.

► **Fig.19**

OPERATION

CAUTION: Always hold the handle when carrying the cleaner. If you hold the attachment part to carry, it may come off from the cleaner and result in personal injury.

CAUTION: Do not grasp the hose joint as shown in the figure. Holding the hose joint may get your finger pinched.

► **Fig.20:** 1. Hose joint

Using as a vacuum cleaner

NOTE: Remove the blower attachment before vacuum cleaning. If the blower attachment is attached to the cleaner, the suction power will be reduced.

Installing or removing the cleaner attachment

To connect an attachment such as a nozzle, twist and insert it securely to the hose. To disconnect, twist and remove it.

The way of installation varies depending on the nozzles as illustrated.

► **Fig.21:** 1. Hose 2. Rubber nozzle 3. Soft brush
4. Seat nozzle 5. Mat nozzle

Vacuum cleaning

Rubber nozzle

This nozzle is convenient for cleaning bottom corners such as a door pocket. The rubber nozzle is gentle to the cleaning surface.

► **Fig.22:** 1. Rubber nozzle

Soft brush

This nozzle is convenient for cleaning the air conditioner vents, dashboard, etc. The head of the soft brush can be turned to right angle.

► **Fig.23:** 1. Soft brush

Seat nozzle

This nozzle has lint brush to clean the seat surface. The side brush on the nozzle is useful for raking dust out of the seams.

► **Fig.24:** 1. Seat nozzle 2. Side brush

Mat nozzle

This nozzle is used for cleaning the floor mat and carpet. The teeth on the nozzle help raking out sand grains.

► **Fig.25:** 1. Mat nozzle

Cleaning without nozzle

You can perform vacuum cleaning without the nozzle.

► **Fig.26**

Disposing of dust

CAUTION: Empty the dust bag or replace the paper filter before it becomes full. If not, the suction force weakens.

CAUTION: When closing the dust case cover, be careful not to pinch your fingers.

NOTICE: Never throw away the dust stopper because it should be used whenever either the dust bag or the paper filter is used.

NOTICE: When the dust bag/paper filter is not inside of the cleaner, the dust case cover does not close completely. Do not force to close the dust case cover. It may result in deforming or breakage of the tool.

NOTICE: When disposing of dust, also clean the room for the dust bag/paper filter. The remaining dust and dirt in the room may cause the sponge filter to be clogged or the motor to be damaged.

1. Open the dust case cover.
► **Fig.27:** 1. Dust case cover
2. Pull out both the orange-colored dust stopper and dust bag/paper filter together at the same time.
► **Fig.28:** 1. Dust stopper
3. **When using the dust bag**
Remove the dust stopper and empty the dust bag.
► **Fig.29:** 1. Dust stopper 2. Dust bag

When using the paper filter

Remove the dust stopper and dispose of the paper filter.

► **Fig.30:** 1. Dust stopper 2. Paper filter

4. Place the dust bag/new paper filter and dust stopper together into the cleaner and close the dust case cover.

Using as a blower

CAUTION: Never point the nozzle at anyone in the vicinity.

CAUTION: Do not use the cleaner for blowing air into objects, like rubber rafting, balls or other inflatable products. Increased motor revolution may cause dangerous fan breakage.

Installing or removing the blower attachment

To attach the blower attachment, align the protrusion of the blower attachment port with the groove on the vent, and then push it until clicks.

► **Fig.31:** 1. Blower attachment

To remove the blower attachment, pull the port downward while pressing its top as illustrated.

► **Fig.32**

Blowing

Point the tip of blower attachment to the object to blow off and then turn on the tool.

► **Fig.33**

MAINTENANCE

CAUTION: Always be sure that the tool is switched off and the battery cartridge is removed before attempting to perform inspection or maintenance.

NOTICE: Never use gasoline, benzine, thinner, alcohol or the like. Discoloration, deformation or cracks may result.

To maintain product SAFETY and RELIABILITY, repairs, any other maintenance or adjustment should be performed by Makita Authorized or Factory Service Centers, always using Makita replacement parts.

Cleaning

From time to time wipe off the outside (cleaner body) of the cleaner using a cloth dampened in soapy water. Clean out also the suction opening, dust bag/paper filter mounting area and the dust stopper.

► **Fig.34**

Wash the dust bag in soapy water when it is clogged with dust and the cleaner power becomes weak. Dry it out thoroughly before use. An insufficiently dried filter may cause poor suction and shorten the service life of the motor.

► **Fig.35**

NOTE: Paper filter is a throw-away type.

When the sponge filter is clogged with dust, remove it from the cleaner and then wipe it off or wash in water.

Removing and installing the sponge filter

CAUTION: After cleaning sponge filter, be sure to install it on the cleaner. If washed in water, dry it up before installing. An insufficiently dried sponge filter may shorten the service life of the motor.

To remove the sponge filter, remove the dust bag or paper filter and then pinch and take it out.

► **Fig.36:** 1. Sponge filter

Press in the whole edge of the sponge filter against the recessed wall inside the dust bag/paper filter mounting area.

► **Fig.37:** 1. Recessed wall

Storage

WARNING: Never leave the battery cartridge and charger in a car. The temperature inside a car sitting in the sun may exceed 50 °C (122 °F). It may cause the battery cartridge deteriorated and result in liquid ejection, smoke emission or a fire.

► **Fig.38**

WARNING: Never use the charger in a storage bag. Blocking the air vent may result in smoking emission or a fire.

► **Fig.39**

⚠ WARNING: Never charge the battery cartridge with on-vehicle inverter. It may cause abnormal heat and result in a fire.

⚠ WARNING: Never charge the battery cartridge in a car. If the battery cartridge is exposed to the temperature range out of 10°C (50 °F) - 40°C (104 °F), it may generate heat and/or fire or explode.

⚠ CAUTION: Always store the hose as illustrated to avoid tripping, when the cleaner is not used.

Unfolded hose may catch your foot and cause personal injury.

► **Fig.40:** 1. Hook 2. Hose

Troubleshooting

Before asking for repairs, check the following points.

Symptom	Area to be investigated	Fixing method
Weak suction power	Is dust bag or paper filter full of dust ?	Empty dust bag or paper filter.
	Is dust bag clogged ?	Dust down or wash the dust bag.
	Is paper filter clogged ?	Replace paper filter.
	Is the battery cartridge exhausted ?	Charge the battery cartridge.
Not working	Is the battery cartridge exhausted ?	Charge the battery cartridge.
Dust case cover does not close	Is dust bag or paper filter set ?	Set dust bag or paper filter.

NOTE: Do not attempt to repair cleaner by yourself.

OPTIONAL ACCESSORIES

⚠ CAUTION: These accessories or attachments are recommended for use with your Makita tool specified in this manual. The use of any other accessories or attachments might present a risk of injury to persons. Only use accessory or attachment for its stated purpose.

If you need any assistance for more details regarding these accessories, ask your local Makita Service Center.

- Extension wand (Straight pipe)
- Nozzle
- Nozzle for carpet
- Shelf brush
- Corner nozzle
- Round brush
- Flexible hose
- Paper filter
- Free nozzle
- Seat nozzle
- Crevice nozzle
- Cyclone attachment
- Dust bag
- High performance dust bag
- Soft bag
- Makita genuine battery and charger

NOTE: Some items in the list may be included in the tool package as standard accessories. They may differ from country to country.

VARNING

Denna maskin kan användas av barn från 8 års ålder och äldre samt personer med nedsatt fysisk, sensorisk eller mental kapacitet eller brist på erfarenhet och kunskap förutsatt att de har fått handledning eller instruktioner om hur maskinen används på rätt sätt och förstår riskerna som det medför. Barn ska inte leka med maskinen. Rengöring och användarunderhåll ska inte utföras av barn utan tillsyn.

SPECIFIKATIONER

Modell:		CL121D
Kapacitet	utan dammpåse	500 mL
	med pappersfilter	330 mL
Kontinuerlig användning (med batteri BL1016)	1 (normalt hastighetsläge)	Ca 25 min
	2 (höghastighetsläge)	Ca 12 min
	3 (maxhastighetsläge)	Ca 10 min
Total längd (med batteri BL1016)		345 mm
Märkspänning		10,8 V likström - 12 V max
Nettovikt		1,7 - 1,8 kg

- På grund av vårt pågående program för forskning och utveckling kan dessa specifikationer ändras utan föregående meddelande.
- Specifikationer kan variera mellan olika länder.
- Vikten inkluderar inte tillbehör men batterikassett(er). Den lättaste och tyngsta viktcombinationen för maskin och batterikassett(er) visas i tabellen.

Tillgänglig batterikassett och laddare

Batterikassett	BL1015 / BL1016 / BL1020B / BL1021B / BL1040B / BL1041B
Laddare	DC10SA / DC10SB / DC10WC / DC10WD / DC18RE

- Vissa av batterikassetterna och laddarna på listan ovan kanske inte finns tillgängliga i din region.

⚠ VARNING: Använd endast batterikassetter och laddare från listan ovan. Användning av andra batterikassetter och laddare kan orsaka personskada och/eller brand.

Symboler

Följande visar symbolerna som används för utrustningen. Se till att du förstår innebörden innan du använder bormaskinen.



Läs igenom bruksanvisningen.



Gäller endast EU-länder
Elektrisk utrustning eller batteripaket får inte kastas i hushållsavfallet! Enligt EU-direktiven som avser förbrukad elektrisk och elektronisk utrustning, batterier, ackumulatörer, förbrukade batterier och ackumulatörer, samt direktivens tillämpning enligt nationell lagstiftning, ska uttjänt elektrisk utrustning, batterier och batteripaket sorteras separat och lämnas till miljövänlig återvinning.

Avsedd användning

Det här redskapet är avsett för insamling av torrt damm.

SÄKERHETSVARNINGAR

Säkerhetsvarningar för sladdlös dammsugare

⚠ VARNING: VIKTIGT! LÄS NOGGRANT igenom alla säkerhetsvarningar och anvisningar FÖRE ANVÄNDNING. Underlåtenhet att följa varningar och instruktioner kan leda till elstötar, brand och/eller allvarliga personskador.

1. Utsätt inte för regn. Förvara maskinen inomhus.
2. Tillåt inte att den används som en leksak. Stor uppmärksamhet är nödvändigt när den används i barns närhet.
3. Använd den endast enligt beskrivningen i bruksanvisningen. Använd endast tillverkarens rekommenderade tillsatser.
4. Använd inte maskinen med ett skadat batteri. Om maskinen inte arbetar som den ska, har tappats i marken, skadats, lämnats utomhus eller hamnat i vatten ska den skickas till servicecentret.
5. Var inte blöt om händerna när du handskas med maskinen.
6. Placera inte något föremål i öppningarna. Använd inte dammsugaren om någon av öppningarna är blockerade och håll den ren från damm, trådar, hår samt allt som kan minska luftflödet.
7. Håll hår, löst sittande kläder, fingrar och alla kroppsdelar bort från öppningar och rörliga delar.
8. Stäng av alla kontroller innan batteriet tas bort.
9. Var extra försiktig vid rengöring av trappor.
10. Använd inte maskinen för att plocka upp brännbara eller lättantändliga vätskor, såsom bensin, eller använd inte maskinen på platser där sådana vätskor förvaras.
11. Använd endast den laddare som tillverkaren har skickat med för att ladda batteriet.
12. Plocka inte upp något som brinner eller glöder, såsom cigaretter, tändstickor eller glödande aska.
13. Använd inte utan damppåse och/eller filtren monterade på plats.
14. Ladda inte batteriet utomhus.
15. Ladda endast med den batteriladdare som angetts av tillverkaren. En laddare som passar en viss typ av batterier kan skapa risk för brand när den används tillsammans med annat batteri.
16. Använd endast maskiner tillsammans med tillhörande batterier. Om andra batterier används kan risken för personskada och brand öka.
17. När batteriet inte används bör det hållas borta från andra metallföremål så som gem, mynt, nycklar, spik, skruv eller andra små metallföremål som kan skapa en anslutning mellan batteripolerna.
18. Under hårda förhållande kan det komma vätska ur batteriet. Undvik kontakt. Spola med vatten om kontakt ändå råkar uppstå.

19. Använd inte ett batteripaket eller maskin som är skadat eller ändrat. Skadade eller ändrade batterier kan uppföra sig opålitligt, vilket kan leda till brand, explosion eller skaderisk.
20. Utsätt inte batteripaketet eller maskiner för brand eller höga temperaturer. Exponering för brand eller temperaturer över 130 °C kan leda till explosion.
21. Följ alla laddningsinstruktioner och ladda inte batteripaketet eller maskinen utanför det temperaturintervall som anges i instruktionerna. Felaktig laddning, eller vid temperaturer utanför det angivna intervallet, kan skada batteriet och öka risken för brand.

SPARA DESSA ANVISNINGAR.

YTTERLIGARE SÄKERHETSANVISNINGAR

Denna maskin är avsedd för att användas i hushåll.

1. Läs denna bruksanvisning och laddarens bruksanvisning noggrant innan du använder dammsugaren.
2. Plocka inte upp följande material:
 - Varmt material som tända cigaretter eller gnist-/metalldamm som skapas när man slipar/sågar i metall
 - Lättantändliga material som bensin, thinner, fotogen eller färg
 - Explosivt material som nitroglycerin
 - Antändbart material såsom aluminium, zink, magnesium, titan, fosfor eller celluloid
 - Blöt smuts, vatten, olja eller liknande
 - Hårda bitar med vassa kanter som träflisor, metaller, stenar, glas, spikar, stift eller rakblad
 - Pulver som klumpar ihop sig såsom cement eller toner
 - Ledande damm som metall eller kol
 - Fina korn som betongdammAtt göra detta kan orsaka brand, skada och/eller skada på egendom.
3. Stanna maskinen omedelbart om du lägger märke till något onormalt.
4. Om du tappat eller stött till dammsugaren, kontrollera att den inte har skadats innan du använder den.
5. Använd inte dammsugaren nära kaminer eller andra värmekällor.
6. Blockera inte intagshålet eller ventilationshålen.

SPARA DESSA ANVISNINGAR.

Viktiga säkerhetsanvisningar för batterikassetten

1. Innan batterikassetten används ska alla instruktioner och varningsmärken på (1) batteriladdaren, (2) batteriet och (3) produkten läsas.
2. Montera inte isär batterikassetten.
3. Om drifttiden blivit avsevärt kortare ska användningen avbrytas omedelbart. Det kan uppstå överhettning, brännskador och t o m en explosion.

4. Om du får elektrolyt i ögonen ska de sköljas med rent vatten och läkare uppsöks omedelbart. Det finns risk för att synen förloras.
5. Kortslut inte batterikassetten.
 - (1) Rör inte vid polerna med något strömförande material.
 - (2) Undvik att förvara batterikassetten tillsammans med andra metallobjekt som t.ex. spikar, mynt o.s.v.
 - (3) Skydda batteriet mot vatten och regn. En batterikortslutning kan orsaka ett stort strömlöfte, överhettning, brand och maskinhaveri.
6. Förvara inte maskinen och batterikassetten på platser där temperaturen kan nå eller överstiga 50 °C.
7. Bränn inte upp batterikassetten även om den är svårt skadad eller helt utslitet. Batterikassetten kan explodera i öppen eld.
8. Var försiktig så att du inte råkar tappa batteriet och utsätt det inte för stötar.
9. Använd inte ett skadat batteri.
10. De medföljande litiumjonbatterierna är föremål för kraven i gällande lagstiftning för farligt gods.
För kommersiella transporter (av t.ex. tredje parter som speditörsfirmor) måste de särskilda transportkrav som anges på emballaget och etiketter iakttas.
För att förbereda den produkt som ska avsändas krävs att du konsulterar en expert på riskmaterial. Var också uppmärksam på att det i ditt land kan finnas ytterligare föreskrifter att följa.
Tejpa över eller maskera blottade kontakter och packa batteriet på sådant sätt att det inte kan röra sig fritt i förpackningen.
11. Följ lokala föreskrifter beträffande avfallshandling av batteriet.
12. Använd endast batterierna med de produkter som specificerats av Makita. Att använda batterierna med ej godkända produkter kan leda till brand, överdriven värme, explosion eller utläckande elektrolyt.

SPARA DESSA ANVISNINGAR.

⚠ FÖRSIKTIGT: Använd endast äkta Makita-batterier. Användning av oäkta Makita-batterier eller batterier som har manipulerats kan leda till person- och utrustningsskador eller till att batteriet fattar eld. Det upphäver också Makitas garanti för verktyget och laddaren.

Tips för att uppnå batteriets maximala livslängd

1. Ladda batterikassetten innan den är helt urladdad. Stanna alltid maskinen och ladda batterikassetten när du märker att maskinen blir svagare.
2. Ladda aldrig en fulladdad batterikasset. Överladdning förkortar batteriets livslängd.
3. Ladda batterikassetten vid en rumstemperatur på 10 °C - 40 °C. Låt en varm batterikasset svalna innan den laddas.

FUNKTIONS BESKRIVNING

⚠ FÖRSIKTIGT: Se alltid till att maskinen är avstängd och batterikassetten borttagen innan du justerar maskinen eller kontrollerar dess funktioner.

⚠ FÖRSIKTIGT: Var försiktig så att du inte fastnar med fingret/fingrarna mellan dammsugaren och batteriet när batteriet ska sättas i. Det kan orsaka skada.

Montera eller demontera batterikassetten

⚠ FÖRSIKTIGT: Stäng alltid av maskinen innan du monterar eller tar bort batterikassetten.

⚠ FÖRSIKTIGT: Håll stadigt i maskinen och batterikassetten när du monterar eller tar bort batterikassetten. I annat fall kan det leda till att de glider ur dina händer och orsakar skada på maskinen och batterikassetten samt personskada.

► Fig. 1: 1. Röd indikator 2. Knap 3. Batterikasset

Ta bort batterikassetten genom att skjuta ner knappen på kassetens framsida samtidigt som du drar ut batterikassetten.

Sätt i batterikassetten genom att rikta in tungan på batterikassetten mot spåret i höljet och skjut den på plats. Tryck in batterikassetten ordentligt tills den låser fast med ett klick. Om du kan se den röda indikatorn på knappens ovansida är den inte låst ordentligt.

⚠ FÖRSIKTIGT: Sätt alltid i batterikassetten helt tills den röda indikatorn inte längre syns. I annat fall kan den oväntat falla ur maskinen och skada dig eller någon annan.

⚠ FÖRSIKTIGT: Montera inte batterikassetten med våld. Om kassetten inte lätt glider på plats är den felinsatt.

Skyddssystem för maskinen/ batteriet

Maskinen är utrustad med ett maskin-/batteriskyddssystem. Detta system bryter automatiskt strömmen till motorn för att förlänga maskinens och batteriets livslängd.

Maskinen stoppar automatiskt under användning om maskinen eller batteriet hamnar i en av följande situationer. Indikatorlampan tänds i vissa situationer.

► Fig. 2: 1. Indikatorlampan

Överbelastningskydd

När maskinen används på ett sätt som gör att den drar onormalt mycket ström, stoppar den automatiskt och indikatorn blinkar i ca 60 sekunder. När detta sker stänger du av verktyget och upphör med arbetet som gjorde att det överbelastades. Starta därefter upp verktyget igen.

Överhettningsskydd

Om maskinen/batteriet är överhettat stoppar maskinen automatiskt och batteriindikatorn lyser i ca 60 sekunder. Maskinen startar inte även om du försöker starta den. Låt då batteriet svalna innan du startar maskinen igen.

Överurladdningsskydd

När den kvarvarande batterikapaciteten blir låg blinkar indikatorn. Vid ytterligare användning stoppar maskinen och indikatorn tänds och lyser i cirka 60 sekunder. Om du trycker in avtryckaren går motorn igång men stannar snart igen. Ladda batterikassetten om detta inträffar.

OBS: När lampan börjar lysa beror på temperaturen vid arbetsplatsen och på batterikassetten förhållande.

Indikerar kvarvarande batterikapacitet

Endast för batterikassetter med indikator

► **Fig.3:** 1. Indikatorlampor 2. Kontrollknapp

Tryck på kontrollknappen på batterikassetten för att se kvarvarande batterikapacitet. Indikatorlamporna lyser i ett par sekunder.

Indikatorlampor		Återstående kapacitet
Upplyst	Av	
■ ■ ■ ■	□	75% till 100%
■ ■ ■ □	□	50% till 75%
■ ■ □ □	□	25% till 50%
■ □ □ □	□	0% till 25%

OBS: Beroende på användningsförhållanden och den omgivande temperaturen kan indikationen skilja sig lätt från den faktiska batterikapaciteten.

Avtryckarens funktion

► **Fig.4:** 1. ON-/hastighetsknapp 2. OFF-knapp

Tryck på knappen ON-/hastighetsknapp för att starta dammsugaren. För att stänga av den, tryck på knappen OFF.

Du kan ändra dammsugarens hastighet i tre steg genom att trycka på ON-/hastighetsknappen.

Den första tryckningen på denna knapp är för höghastighetsläge. Vid en andra tryckning aktiveras maxhastighetsläge, och en tredje tryckning normal hastighet. Varje tryckning på denna knapp upprepar cyklingen mellan hög/max/normal hastighet.

MONTERING

⚠FÖRSIKTIGT: Se alltid till att maskinen är avstängd och batterikassetten borttagen innan du underhåller maskinen.

Damppåse och pappersfilter

Sätt dit en damppåse eller en pappersfilter innan du använder dammsugaren.

Använd dammstoppet när du sätter dit dammsugarpåsen eller pappersfilter.

En damppåse kan användas flera gånger efter upprepade tömningar.

Pappersfiltret är av engångstyp. När filtret är fullt slänger du hela filtret inklusive damm.

OBSERVERA: För att förhindra damm från att komma in i motorn:

- Se till att damppåsen eller pappersfiltret är isatt innan du använder.
- Sätt i dammstoppet tillsammans med damppåsen eller pappersfiltret hela vägen in i öppningen vid montering.
- Använd inte en skadad eller trasig påse.

I annat fall kan motorn skadas.

OBSERVERA: Vik inte hårdpappskivan vid dess öppning när du sätter dit pappersfiltret.

OBSERVERA: Kasta aldrig bort dammstoppet eftersom det ska användas upprepade gånger när damppåsen eller pappersfiltret används.

OBSERVERA: Dammsugarens pappersfilter är en viktig komponent för att bevara maskinprestandan. Att använda andra pappersfilter än original kan orsaka rök eller antändning.

Montering av damppåse

Använd dammstoppet när du sätter dit dammsugarpåsen. Se till att inte förväxla ovan- och undersidan av misstag, eftersom de är olika.

► **Fig.5:** 1. Dammstoppets ovasida
2. Dammstoppets undersida

1. Sätt i den utskjutande delen på damppåsen i dammstoppets spår. Se bilden.

Damppåsen har ingen distinkt skillnad mellan den övre och undre sidan. Du kan sätta i dess utskjutande del på endera spåret i dammstoppet.

► **Fig.6:** 1. Dammstopp 2. Spår 3. Damppåse

2. Se till att dammstoppets ram överlappar damppåsens ram.

► **Fig.7**

3. Sätt dammstoppet och damppåsen tillsammans i dammsugarfacket i den riktning som pilen på dammstoppet visar. Skjut dem hela vägen in i uttagen i dammsugarfacket.

► **Fig.8:** 1. Skåra

4. Placera hela tygdelen på dammpåsen inuti själva dammsugaren.

► Fig.9

5. Stäng dammhöljet ordentligt.

► Fig.10: 1. Dammhöljeskydd

OBS: Om dammpåsen inte är monterad i dammsugaren går det inte att stänga dammhöljet ordentligt.

Montering av pappersfiltret

Använd dammstoppet även när du sätter dit pappersfiltret. Se till att inte förväxla ovan- och undersidan av misstag, eftersom de är olika.

► Fig.11: 1. Dammstoppets ovansida
2. Dammstoppets undersida

1. Veckla ut öppningen på pappersfiltret innan du sätter det på dammstoppet.

► Fig.12

2. Sätt in den utskjutande delen på pappersfiltret i dammstoppets spår. Se bilden.

Pappersfiltret har ingen distinkt skillnad mellan den övre och undre sidan. Du kan sätta in dess utskjutande del på endera spåret i dammstoppet.

► Fig.13: 1. Dammstopp 2. Spår 3. Pappersfilter

3. Se till att dammstoppets ram överlappar pappersfiltrets ram.

► Fig.14

4. Sätt dammstoppet och pappersfiltret tillsammans i dammsugarfacket i den riktning som pilen på dammstoppet visar. Skjut dem hela vägen in i uttagen i dammsugarfacket.

► Fig.15: 1. Skåra

5. Placera hela behållardelen på pappersfiltret inuti själva redskapet.

► Fig.16

6. Stäng dammhöljet ordentligt.

► Fig.17: 1. Dammhöljeskydd

OBS: Om pappersfiltret inte är monterat i dammsugaren går det inte att stänga dammhöljet ordentligt.

Montering av bärselen

⚠ FÖRSIKTIGT: Var försiktig så att inte bärselens fastnar i föremål i din omgivning.

⚠ FÖRSIKTIGT: Var försiktig så att du inte tappar bärselen från axeln när du använder dammsugaren. För stabil hantering av din dammsugare rekommenderas att bära bärselen i kors på bröstet.

Fäst bärselens krokar på dammsugarens fästen enligt bilden.

► Fig.18: 1. Axelrem 2. Krok 3. Fäste

OBS: Du kan även fästa bärselen på den mjuka väskan (valfritt tillbehör) enligt bilden.

► Fig.19

ANVÄNDNING

⚠ FÖRSIKTIGT: Håll alltid i handtaget när du bär dammsugaren. Om du håller i tillbehöret när du bär kan det lossa från dammsugaren och leda till personskada.

⚠ FÖRSIKTIGT: Ta inte tag i slangkopplingen enligt bilden. Om du håller i slangkopplingen kan du klämma dina fingrar.

► Fig.20: 1. Slangkoppling

Använda som en dammsugare

OBS: Ta bort blåstillbehöret innan du dammsuger. Om blåstillbehöret är fäst på dammsugaren reduceras sugeffekten.

Montering eller demontering av dammsugartillbehör

För att ansluta tillbehör som ett munstycke, vrid och för in dem ordentligt i slangen. Ta loss det genom att vrida och ta ut det.

Montering varierar beroende på munstyckena enligt bilden.

► Fig.21: 1. Slang 2. Gummimunstycke 3. Mjuk borste 4. Sättesmunstycke 5. Mattmunstycke

Dammsugning

Gummimunstycke

Detta munstycke är bra för att dammsuga nere i hörn, som en dörrficka. Gummimunstycket är bra för att rengöra ytor.

► Fig.22: 1. Gummimunstycke

Mjuk borste

Detta munstycke är bra för att dammsuga ventilationsöppningar på luftkonditionerar, instrumentbrädor etc. Huvudet på det mjuka munstycket kan vridas i rätt vinkel.

► Fig.23: 1. Mjuk borste

Sättesmunstycke

Detta munstycke har mjuka borst för rengöring av bilsäten. Munstyckets sidoborste är bra för att ta upp damm från sömmar.

► Fig.24: 1. Sättesmunstycke 2. Sidoborste

Mattmunstycke

Detta munstycke används för att göra rent golvmattor och vanliga mattor. Munstyckets tänder hjälper till att ta upp sand.

► Fig.25: 1. Mattmunstycke

Dammsugning utan munstycke

Du kan dammsuga utan munstycket.

► Fig.26

Borttagning av damm

⚠ FÖRSIKTIGT: Töm dammpåsen eller byt ut pappersfiltret innan det blir fullt. Annars blir sugeffekten sämre.

⚠ FÖRSIKTIGT: Var försiktig när du stänger dammhöljet så att du inte klämmer dina fingrar.

OBSERVERA: Kasta aldrig bort dammstoppet eftersom det ska användas när dammpåsen eller pappersfiltret används.

OBSERVERA: Om dammpåsen/pappersfiltret inte är i dammsugaren går det inte att stänga dammhöljet ordentligt. Tvinga inte igen dammhöljet. Det finns en risk att maskinen deformeras eller går sönder.

OBSERVERA: När du slänger smuts ska du även göra rent utrymmet för dammpåsen/pappersfiltret. Kvarvarande damm och smuts i utrymmet kan göra så att filtret bli igensatt eller motorn skadas.

1. Öppna dammhöljet.
► **Fig.27:** 1. Dammhöljeskydd
2. Dra ut både det orangefärgade dammstoppet och dammpåsen/pappersfiltret samtidigt.
► **Fig.28:** 1. Dammstopp
3. **Vid användning av dammpåse**
Ta bort dammstoppet och töm dammpåsen.
► **Fig.29:** 1. Dammstopp 2. Dammpåse

Vid användning av pappersfilter

Ta bort dammstoppet och släng pappersfiltret.

► **Fig.30:** 1. Dammstopp 2. Pappersfilter

4. Placera dammpåsen/det nya pappersfiltret och dammstoppet tillsammans i dammsugaren och stäng dammhöljet.

Använda som en blåsenhet

⚠ FÖRSIKTIGT: Rikta aldrig munstycket mot någon i närheten.

⚠ FÖRSIKTIGT: Använd inte dammsugaren för att blåsa in luft i föremål, som gummibåtar, bollar eller uppblåsbara produkter. Ökat motorvarvtal kan orsaka allvarlig fläktskada.

Montering eller demontering av blåstillbehör

För att fästa blåstillbehöret, rikta in den utskjutande delen på blåstillbehörets port med spåret på utblåset och tryck tills det klickar.

► **Fig.31:** 1. Blåstillbehör

För att ta loss blåstillbehöret, dra öppningen nedåt samtidigt som du trycker dess ovansida enligt bilden.

► **Fig.32**

Blåsa

Rikta blåstillbehörets spets mot det föremål som ska blåsas av och vrid sedan maskinen.

► **Fig.33**

UNDERHÅLL

⚠ FÖRSIKTIGT: Se alltid till att maskinen är avstängd och batterikassetten borttagen innan inspektion eller underhåll utförs.

OBSERVERA: Använd inte bensin, förtunningsmedel, alkohol eller liknande. Missfärgning, deformation eller sprickor kan uppstå.

För att upprätthålla produktens SÄKERHET och TILLFÖRLITLIGHET bör allt underhålls- och justeringsarbete utföras av ett auktoriserat Makita servicecenter och med reservdelar från Makita.

Rengöring

Torka regelbundet av dammsugarens utsida med en trasa fuktad i tvålatten.

Rengör även sugöppningen, dammstoppet och facket för dammpåse/pappersfilter.

► **Fig.34**

Tvätta dammpåsen i tvålatten när den är igensatt av damm och sugstyrkan avtagit. Torka den ordentligt innan användning. Ett filter som inte är helt torrt kan orsaka dålig sugförmåga och förkorta motorns livslängd.

► **Fig.35**

OBS: Pappersfiltret är av engångstyp.

När filtret är igensatt av damm, tar du bort det från dammsugaren och torkar av det eller tvättar det i vatten.

Ta bort och sätta dit filtret

⚠ FÖRSIKTIGT: Sätt tillbaka filtret när du rengjort det. Låt filtret torka om det rengjordes i vatten, innan du sätter tillbaka det. Ett filter som inte är helt torrt kan förkorta motorns livslängd.

Ta bort svampfiltret genom att först ta bort dammsugarpåsen eller pappersfiltret och därefter fatta tag i filtret för att ta ur det.

► **Fig.36:** 1. Svampfilter

Tryck in hela kanten på svampfiltret mot den infällda väggen inuti facket för dammpåse/pappersfilter.

► **Fig.37:** 1. Infälld vägg

Förvaring

⚠ VARNING: Lämna aldrig batterikassetten och laddaren i bilen. Temperaturen i en bil som är parkerad i solen kan överstiga 50 °C (122 °F). Det kan göra så att batterikassetten försämras och leda till att vätska läcker, rökutveckling eller brand.

► **Fig.38**

⚠ VARNING: Använd aldrig laddaren i en förvaringsväska. Att blockera ventilationsöppningarna kan leda till rökutveckling eller brand.

► **Fig.39**

⚠ VARNING: Ladda aldrig batterikassetten från ett uttag i en bil. Det kan leda till onormal värme och brand.

⚠ VARNING: Ladda aldrig batterikassetten i en bil. Om batterikassetten utsätts för ett temperaturintervall utanför 10°C (50 °F) - 40°C (104 °F) kan det alstra värme och/eller leda till brand eller explodera.

⚠ FÖRSIKTIGT: Förvara alltid slangen enligt bilden för att undvika att snubbla på den när dammsugaren inte används.

Din fot kan fastna i en slang som inte är ihopvikt och leda till personskada.

► **Fig.40:** 1. Krok 2. Slang

Felsökning

Kontrollera följande punkter innan du kontaktar service.

Symptom	Område att kontrollera	Åtgärdsmetod
Svag sugförmåga	Är dammpåsen eller pappersfiltret fulla av damm?	Töm dammpåse eller pappersfilter.
	Är dammpåsen igensatt?	Töm på damm eller tvätta dammpåsen.
	Är pappersfiltret igensatt?	Byt pappersfilter.
	Är batterikassetten tom?	Ladda batterikassetten.
Fungerar inte	Är batterikassetten tom?	Ladda batterikassetten.
Dammhöljet stängs inte	Är dammpåsen eller pappersfiltret isatt?	Sätt i dammpåsen eller pappersfiltret.

OBS: Försök inte reparera dammsugaren på egen hand.

VALFRIA TILLBEHÖR

⚠ FÖRSIKTIGT: Följande tillbehör eller tillsatser rekommenderas för användning med den Makita-maskin som denna bruksanvisning avser. Om andra tillbehör eller tillsatser används kan det uppstå risk för personskador. Använd endast tillbehören eller tillsatserna för de syften de är avsedda för.

Kontakta ditt lokala Makita servicecenter om du behöver ytterligare information om dessa tillbehör.

- Förlängningsrör (rakt rör)
- Munstycke
- Mattmunstycke
- Hyllborste
- Hörnmunstycke
- Rund borste
- Flexibel slang
- Pappersfilter
- Fritt munstycke
- Sättesmunstycke
- Spaltmunstycke
- Cyklontillbehör
- Dammpåse
- Dammpåse med hög prestanda
- Mjuk väska
- Makitas originalbatteri och -laddare

OBS: Några av tillbehören i listan kan vara inkluderade i maskinpaketet som standardtillbehör. De kan variera mellan olika länder.

ADVARSEL

Dette apparatet kan brukes av barn fra 8 år og oppover og av personer med reduserte fysiske, sensoriske eller mentale evner eller mangel på erfaring og kunnskap, såfremt de holdes under oppsyn, har blitt gitt instruksjoner om sikker bruk av apparatet og forstår farene som er involvert. Barn skal ikke leke med apparatet. Rengjøring og brukervedlikehold skal ikke utføres av barn uten oppsyn.

TEKNISKE DATA

Modell:		CL121D
Kapasitet	med en støvpose	500 mL
	med et papirfilter	330 mL
Kontinuerlig bruk (med batteri BL1016)	1 (modus for normal hastighet)	Ca. 25 min
	2 (modus for høy hastighet)	Ca. 12 min
	3 (modus for maks. hastighet)	Ca. 10 min
Total lengde (med batteri BL1016)		345 mm
Nominell spenning		DC 10,8 V - 12 V maks
Nettovekt		1,7 - 1,8 kg

- På grunn av vårt kontinuerlige forsknings- og utviklingsprogram kan spesifikasjonene som oppgis i dette dokumentet endres uten varsel.
- Spesifikasjonene kan variere fra land til land.
- Vekten omfatter ikke tilbehør, men batteri(er). Den letteste og tyngste vektkombinasjonen av innretningen og batteri(er) vises i tabellen.

Passende batteri og lader

Batteriinnsett	BL1015 / BL1016 / BL1020B / BL1021B / BL1040B / BL1041B
Lader	DC10SA / DC10SB / DC10WC / DC10WD / DC18RE

- Noen av batteriene og laderne som er opplistet ovenfor er kanskje ikke tilgjengelige, avhengig av hvor du bor.

⚠ ADVARSEL: Bruk kun de batteriene og laderne som er opplistet ovenfor. Bruk av andre batterier og ladere kan føre til personskader og/eller brann.

Symboler

Nedenfor ser du symbolene som brukes for dette utstyret. Forviss deg om at du forstår hva de betyr, før du begynner å bruke maskinen.



Les bruksanvisningen.



Kun for land i EU
Kast aldri elektroutstyr eller batteripakker i husholdningsavfallet! I henhold til EU-direktivene om kasserte elektriske og elektroniske produkter og om batterier og akkumulatører og brukte batterier og akkumulatører og direktivenes iverksetting i nasjonal rett, må elektriske produkter og batterier og batteripakker som ikke lenger skal brukes, samles separat og returneres til et miljøvennlig gjenvinningsanlegg.

Riktig bruk

Innretningen er laget for å samle opp tørt støv.

SIKKERHETSADVARSEL

Sikkerhetsadvarsel for trådløs støvsuger

⚠ADVARSEL: VIKTIG. LES NØYE alle sikkerhetsadvarsel og instruksjoner FØR BRUK. Hvis du ikke følger alle advarslene og instruksjonene som er oppført nedenfor, kan det føre til elektriske støt, brann og/eller alvorlige helseskader.

1. **Må ikke utsettes for regn.** Oppbevares innendørs.
2. **Ikke bruk støvsugeren som leketøy.** Vær ekstra oppmerksom når den brukes nær barn.
3. **Bruk støvsugeren kun som beskrevet i denne håndboken.** Bruk kun tilbehør som er anbefalt av produsenten.
4. **Må ikke brukes med skadet batteri.** Hvis innretningen ikke virker som den skal, er blitt mistet i bakken, ødelagt, gjenglemt utendørs eller mistet i vann, må du levere den inn til et serviceverksted.
5. **Ikke håndter innretningen med våte hender.**
6. **Ikke putt gjenstander inn i åpningene.** Ikke bruk støvsugeren hvis noen av åpningene er blokkert. Hold den fri for støv, lo, hår og annet som kan redusere luftstrømmen.
7. **Hold hår, løstsittende klær, fingrene og alle kroppsdeler unna åpninger og bevegelige deler.**
8. **Slå av alle kontroller før du tar ut batteriet.**
9. **Vær ekstra forsiktig ved rengjøring av trapper.**
10. **Må ikke brukes til å ta opp brennbare eller eksplosive væsker som bensin, og må heller ikke brukes i områder der disse kan forekomme.**
11. **Lading må kun foregå med laderen som fulgte med fra produsenten.**
12. **Ikke plukk opp noe som brenner eller ryker, som sigaretter, fyrstikker eller varm aske.**
13. **Må ikke brukes uten at støvpose og/eller filtre er på plass.**
14. **Ikke lad batteriet utendørs.**
15. **Batteriet må kun lades opp igjen med en lader spesifisert av produsenten.** En lader som passer til én batteritype, kan være brannfarlig når den brukes med en annen batteritype.
16. **Elektroverktøy skal kun brukes med spesifikt angitte batterier.** Hvis det brukes et hvilket som helst annet batteri, kan dette utgjøre en fare for personskader og brann.
17. **Når batteripakken ikke er i bruk, bør du holde den unna metallgjenstander som binders, mynter, nøkler, spiker, skruer og andre små metallgjenstander som kan skape forbindelse mellom én pol og en annen.**
18. **Hvis batteriet utsettes for hardhendt bruk, kan det lekke væske fra batteriet.** Unngå kontakt med væsken. Hvis du kommer i kontakt med batterivæsken, må du skylle med vann.
19. **Ikke bruk et batteri eller verktøy som er skadet eller endret på.** Batterier som er skadet eller endret på kan oppføre seg upålitelig og medføre brann, eksplosjon eller fare for personskader.

20. **Et batteri eller verktøy må ikke utsettes for brann eller for høy temperatur.** Brann eller en temperatur over 130 °C kan forårsake eksplosjon.
21. **Følg alle ladeinstruksjoner, og ikke lad batteriet eller verktøyet utenfor temperaturområdet som er angitt i instruksjonene.** Feil lading eller ved temperaturer utenfor det angitte området, kan skadet batteriet og øke faren for brann.

TA VARE PÅ DISSE INSTRUKSJONENE.

YTTERLIGERE SIKKERHETSREGLER

Denne innretningen er beregnet på å brukes i husholdningen.

1. **Les grundig gjennom denne bruksanvisningen og bruksanvisningen for laderen før bruk.**
2. **Ikke plukk opp følgende materialer:**
 - Varme materialer som påtente sigaretter eller gnister/metallstøv fra sliping/kutting av metall
 - Brennbare materialer som bensin, tynner, lettbensin, parafin eller maling
 - Eksplosive materialer som nitroglyserin
 - Antennelige materialer som aluminium, sink, magnesium, titan, fosfor eller celluloid
 - Fuktig smuss, vann, olje eller lignende
 - Harde gjenstander med skarpe kanter som treflisser, metaller, steiner, glass, spiker, nåler eller barberblader
 - Pulver som kan stivne som sement eller toner
 - Elektrisk ledende støv fra metall eller karbon
 - Fine partikler som betongstøvSlike handlinger kan forårsake brann, personskader og/eller materielle skader.
3. **Hvis du merker at noe er uvanlig, må du stanse arbeidet omgående.**
4. **Hvis du mister støvsugeren, eller kommer til å slå borti den, må du kontrollere den grundig med tanke på sprekker eller skader før bruk.**
5. **Ikke plasser innretningen nær ovner eller andre varmekilder.**
6. **Ikke blokker inntaksåpningen eller ventilasjonsåpningene.**

TA VARE PÅ DISSE INSTRUKSJONENE.

Viktige sikkerhetsanvisninger for batteriinnsetning

1. **Før du begynner å bruke batteriet, må du lese alle anvisninger og forsiktighetsregler på (1) batteriladeren, (2) batteriet og (3) det produktet batteriet skal brukes i.**
2. **Ikke ta fra hverandre batteriet.**
3. **Hvis driftstiden er blitt vesentlig kortere, må du omgående slutte å bruke maskinen.** Hvis ikke kan resultatet bli overoppheting, mulige forbrenninger eller til og med en eksplosjon.

4. Hvis du får elektrolytt i øynene, må du skylle dem med store mengder rennende vann og oppsøke lege med én gang. Denne typen uhell kan føre til varig blindhet.
5. Ikke kortslutt batteriet:
 - (1) De kan være ekstremt varme og du kan brenne deg.
 - (2) Ikke lagre batteriet i samme beholder som andre metallgjenstander, som for eksempel spiker, mynter osv.
 - (3) Ikke la batteriet komme i kontakt med vann eller regn.

En kortslutning av batteriet kan føre til et kraftig strømstøt, overoppvarming, mulige forbrenninger og til og med til at batteriet går i stykker.

6. Ikke lagre maskinen og batteriet på steder hvor temperaturen kan komme opp i eller overskride 50 °C.
7. Ikke sett fyr på batteriet, ikke engang om det er sterkt skadet eller helt utslitt. Batteriet kan eksplodere hvis det begynner å brenne.
8. Vær forsiktig så du ikke mister batteriet eller utsetter det for slag.
9. Ikke bruk batterier som er skadet.
10. Lithium-ion-batteriene som medfølger er gjenstand for krav om spesialavfall. For kommersiell transport, f.eks av tredjeparter eller speditorer, må spesielle krav om pakking og merking følges. Før varen blir sendt, må du forhøre deg med en ekspert på farlig materiale. Ta også hensyn til muligheten for mer detaljerte nasjonale bestemmelser. Bruk teip eller maskeringsteip for å skjule åpne kontakter og pakk inn batteriet på en slik måte at den ikke kan bevege seg rundt i emballasjen.
11. Følg lokale bestemmelser for avhengig av batterier.
12. Bruk batteriene kun med produkter spesifisert av Makita. Montere batteriene i produkter som ikke er konforme kan føre til brann, overheting eller elektrolyttlekkasje.

TA VARE PÅ DISSE INSTRUKSENE.

⚠FORSIKTIG: Bruk kun originale Makita-batterier. Bruk av batterier som har endret seg, eller som ikke er originale Makita-batterier, kan føre til at batteriet sprekker og forårsaker brann, personskader og andre skader. Det vil også ugyldiggjøre garantien for Makita-verktøyet og -laderen.

Tips for å opprettholde maksimal batterilevetid

1. Lad batteriinnsetningen før den er helt utladet. Stopp alltid driften av verktøyet og lad batteriinnsetningen når du merker at effekten reduseres.
2. Lad aldri en batteriinnsetning som er fulladet. Overopplading forkorter batteriets levetid.
3. Lad batteriet i romtemperatur ved 10 °C - 40 °C. Et varmt batteri må kjøles ned før lading.

FUNKSJONS BESKRIVELSE

⚠FORSIKTIG: Forviss deg alltid om at maskinen er slått av og batteriet tatt ut før du justerer maskinen eller kontrollerer dens mekaniske funksjoner.

⚠FORSIKTIG: Vær forsiktig så du ikke setter fingeren/fingrene fast mellom støvsugeren og batteriet når du setter inn batteriet. Å få en eller flere fingre i klem kan medføre personskader.

Sette inn eller ta ut batteri

⚠FORSIKTIG: Slå alltid av verktøyet før du setter inn eller fjerner batteriet.

⚠FORSIKTIG: Hold verktøyet og batteripatronen i et fast grep når du monterer eller fjerner batteripatronen. Hvis du ikke holder verktøyet og batteripatronen godt fast, kan du miste grepet, og dette kan føre til skader på verktøyet og batteripatronen samt personskader.

► Fig.1: 1. Rød indikator 2. Knapp 3. Batteriinnsetning

For å ta ut batteriet må du skyve på knappen foran på batteriet og trekke det ut.

Når du skal sette inn batteriet, må du plassere tungen på batteriet på linje med sporet i huset og skyve batteriet på plass. Skyv det helt inn til det går i inngrep med et lite klikk. Hvis du kan se den røde anviseren på oversiden av knappen, er det ikke fullstendig låst.

⚠FORSIKTIG: Batteriet må alltid settes helt inn, så langt at den røde anviseren ikke lenger er synlig. Hvis dette ikke gjøres, kan batteriet komme til å falle ut av maskinen og skade deg eller andre som oppholder seg i nærheten.

⚠FORSIKTIG: Ikke bruk makt når du setter i batteriet. Hvis batteriet ikke glir lett inn, er det fordi det ikke settes inn på riktig måte.

Batterivernssystem for verktøy/batteri

Verktøyet er utstyrt med et batterivernssystem for verktøy/batteri. Dette systemet slår automatisk av strømmen til motoren for å forlenge verktøyets og batteriets levetid.

Verktøyet stopper automatisk hvis verktøyet eller batteriet utsettes for en av følgende tilstander. Indikatoren tennes under noen forhold.

► Fig.2: 1. Indikatorlampe

Overlastsikring

Når batteriet brukes på en måte som gjør at det trekker unormalt mye strøm, stanser verktøyet automatisk og indikatoren lyser i ca. 60 sekunder. Hvis dette skjer, må du slå av verktøyet og avslutte bruken som forårsaket at verktøyet ble overbelastet. Slå deretter verktøyet på for å starte det igjen.

Overopphetingsvern

Når verktøyet/batteriet blir overopphetet, stopper verktøyet automatisk, og batteriindikatoren lyser i ca. 60 sekunder. Verktøyet starter ikke selv om du slår det på. I så fall må du la batteriet kjøle seg ned før du slår verktøyet på igjen.

Overutladingsvern

Når gjenværende batterikapasitet blir lav, lyser indikatoren. Ved fortsatt bruk stopper verktøyet, og indikatoren lyser i cirka 60 sekunder. Når du starter verktøyet, starter motoren, men den stopper like etterpå. I dette tilfellet, lad batteriinnsetningen.

MERK: Tidspunktet for når lampen begynner å blinke avhenger av temperaturen på arbeidsplassen, og batteritilstanden.

Indikere gjenværende batterikapasitet

Kun for batterier med indikatoren

► **Fig.3:** 1. Indikatorlamper 2. Kontrollknapp

Trykk på sjekk-knappen på batteriet for vise gjenværende batterikapasitet. Indikatorlampene lyser i et par sekunder.

Indikatorlamper		Gjenværende batterinivå
Tent	Av	
		75% til 100%
		50% til 75%
		25% til 50%
		0% til 25%

MERK: Det angitte nivået kan avvike noe fra den faktiske kapasiteten alt etter bruksforholdene og den omgivende temperaturen.

Bryterfunksjon

► **Fig.4:** 1. Knapp for PÅ/hastighetsendring 2. Knapp for AV

Trykk på knappen for PÅ/hastighetsendring for å starte støvsugeren. Trykk knappen for AV for å slå den av. Du kan endre støvsugerens hastighet i tre trinn ved å trykke på knappen for PÅ/hastighetsendring. Det første trykket på knappen gir modus for høy hastighet, det andre trykket modus for maks. hastighet og det tredje trykket normal hastighet. Hvert påfølgende trykk på knappen gjentar syklusen høy/maks./normal hastighet.

MONTERING

⚠FORSIKTIG: Forviss deg alltid om at maskinen er slått av og batteriet tatt ut før du utfører noe arbeid på maskinen.

Støvpose og papirfilter

Sett inn enten støvposen eller papirfilteret før du bruker støvsugeren. Bruk støvstopperen når du setter inn støvposen eller papirfilteret. Støvposen kan brukes mange ganger, hvis den tømmes mellom hver gang. Papirfilteret er til engangsbruk. Kast hele papirfilteret uten å tømme det når det er fullt.

OBS: Slik forhindrer du at det kommer støv inn i motoren:

- Forviss deg om at støvposen eller papirfilteret er satt inn før bruk.
- Sett støvstopperen, sammen med støvposen eller papirfilteret, helt inn i sporene.
- Ikke bruk posen hvis den er skadet eller revnet.

Det kan føre til at motoren blir ødelagt.

OBS: Ikke brett kartongen ved åpningen når du setter inn papirfilteret.

OBS: Støvstopperen må ikke kastes, for den må brukes om igjen, enten du bruker støvpose eller papirfilter.

OBS: Papirfilteret er en viktig komponent for støvsugeren for å opprettholde ytelsen. Bruk av et annet filter enn det originale papirfilteret kan forårsake røykdannelse eller brann.

Sette inn støvpose

Bruk støvstopperen når du setter inn støvposen. Pass på så du ikke forveksler oversiden og undersiden, da de er forskjellige.

► **Fig.5:** 1. Den øverste delen av støvstopperen 2. Den nederste delen av støvstopperen

1. Sett fremspringet på støvposen inn i sporet på støvstopperen som vist i figuren.

Det er ingen forskjell på over- og undersiden på støvposen. Du kan sette fremspringet på den ene eller andre siden inn i sporet på støvstopperen.

► **Fig.6:** 1. Støvstopper 2. Spor 3. Støvpose

2. La rammen til støvstopperen og rammen til støvposen overlape hverandre.

► **Fig.7**

3. Plasser støvstopperen og støvposen sammen i hulrommet i støvsugeren, i samme retning som pilen på støvstopperen peker. Sett dem helt inn i sporene i hulrommet i støvsugeren.

► **Fig.8:** 1. Spor

4. Plasser hele tekstildelen av støvposen inn i selve støvsugeren.

► **Fig.9**

5. Lukk dekselet på støvboksen helt igjen.

► **Fig.10:** 1. Deksel på støvboks

MERK: Når støvposen ikke er satt inn i støvsugeren vil ikke dekselet til støvboksen lukke seg helt.

Sette inn papirfilteret

Bruk støvstopperen også når du setter inn papirfilteret. Pass på så du ikke forveksler oversiden og undersiden, da de er forskjellige.

► **Fig.11:** 1. Den øverste delen av støvstopperen
2. Den nederste delen av støvstopperen

1. Brett ut åpningen på papirfilteret før du setter det på støvstopperen.

► **Fig.12**

2. Sett fremspringet på papirfilteret inn i sporet på støvstopperen som vist i figuren.

Det er ingen forskjell på over- og undersiden på papirfilteret. Du kan sette fremspringet på den ene eller andre siden inn i sporet på støvstopperen.

► **Fig.13:** 1. Støvstopper 2. Spor 3. Papirfilter

3. La rammen til støvstopperen og rammen til papirfilteret overlappe hverandre.

► **Fig.14**

4. Plasser støvstopperen og papirfilteret sammen i hulrommet i støvsugeren, i samme retning som pilen på støvstopperen peker. Sett dem helt inn i sporene i hulrommet i støvsugeren.

► **Fig.15:** 1. Spor

5. Plasser hele beholderdelen av papirfilteret inn i selve støvsugeren.

► **Fig.16**

6. Lukk dekselet på støvboksen helt igjen.

► **Fig.17:** 1. Deksel på støvboks

MERK: Når papirfilteret ikke er satt inn i støvsugeren vil ikke dekselet til støvboksen lukke seg helt.

Sette på skulderstroppen

⚠FORSIKTIG: Vær forsiktig slik at skulderstroppen ikke setter seg fast i gjenstander i nærheten.

⚠FORSIKTIG: Vær forsiktig slik at ikke skulderstroppen sklir av skulderen når du bruker apparatet. For en stabil håndtering av støvsugeren anbefales det å bruke skulderstroppen krysset foran på brystet.

Fest krokene til skulderstroppen på festene på støvsugeren som vist på figuren.

► **Fig.18:** 1. Skulderstropp 2. Krok 3. Feste

MERK: Du kan også feste skulderstroppen til den myke vesken (valgfritt ekstrautstyr) som vist.

► **Fig.19**

BRUK

⚠FORSIKTIG: Støvsugeren må alltid bæres i håndtaket. Hvis du holder i tilbehøret for å bære støvsugeren kan dette gå av støvsugeren og føre til personskade.

⚠FORSIKTIG: Ikke ta tak i slangeskjøten som vist i figuren. Hvis du holder i slangeskjøten kan du klemme fingrene.

► **Fig.20:** 1. Slangeskjøt

Bruk som en støvsuger

MERK: Ta av blåsertilbehøret før du starter å støvsuge. Hvis noe av blåsertilbehøret er festet på støvsugeren reduseres sugekraften.

Sette på eller ta av sugetilbehøret

For å sette på et tilbehør, som et munnstykke, må du vri og sette det inn godt på slangen. Hvis du vil koble fra, vrir du og trekker det ut.

Metoden for å sette på avhenger av munnstykkene, som vist i illustrasjonen.

► **Fig.21:** 1. Slange 2. Gummimunnstykke 3. Myk børste 4. Setedyse 5. Mattemunnstykke

Støvsuging

Gummimunnstykke

Dette munnstykket egner seg til støvsuging av hjørner nede som en dør lomme. Gummimunnstykket er skånsomt for rengjøring av overflater.

► **Fig.22:** 1. Gummimunnstykke

Myk børste

Dette munnstykket egner seg til rengjøring av friskluftsentilerv, dashbord, osv. Hodet på den myke børsten kan dreies til rett vinkel.

► **Fig.23:** 1. Myk børste

Setedyse

Dette munnstykket har en lørbørste til rengjøring av seteoverflater. Sidebørsten på munnstykket er nyttig for å gre ut støv fra sømmene.

► **Fig.24:** 1. Setedyse 2. Sidebørste

Mattemunnstykke

Dette munnstykket brukes til støvsuging av gulvmatter og teppe. Tennene på munnstykket bidrar til å rake ut sandkorn.

► **Fig.25:** 1. Mattemunnstykke

Støvsuge uten munnstykke

Du kan støvsuge uten munnstykket.

► **Fig.26**

Kassering av støv

⚠FORSIKTIG: Tøm støvposen eller skift papirfilter før den blir helt full. Hvis ikke reduseres sugekraften.

⚠FORSIKTIG: Når du lukker dekselet på støvboksen, må du være forsiktig så du ikke klemmer fingrene.

OBS: Støvstopperen må ikke kastes, for den må brukes når du bruker støvposen eller papirfilteret.

OBS: Når støvposen/papirfilteret ikke er satt inn i støvsugeren vil ikke dekselet til støvboksen lukke seg helt. Ikke bruk kraft for å lukke dekselet på støvboksen. Det kan føre til deformering eller brudd av verktøyet.

OBS: Når du tømmer støvet må du også rengjøre støvboksen som støvposen/papirfilteret sitter i. Det gjenværende støvet og skitten i rommet kan gjøre at svampfilteret tettes, eller at motoren blir skadet.

1. Åpne dekselet på støvboksen.
► **Fig.27:** 1. Deksel på støvboks
2. Trekk ut både den oransjefargede støvstopperen og støvposen/papirfilteret samtidig.
► **Fig.28:** 1. Støvstopper
3. **Når du bruker støvpose**
Tar du ut støvstopperen, og tømmer støvposen.
► **Fig.29:** 1. Støvstopper 2. Støvpose

Ved bruk av papirfilter

Ta av støvstopperen og kast papirfilteret.

► **Fig.30:** 1. Støvstopper 2. Papirfilter

4. Plasser støvposen/nytt papirfilter og støvstopperen sammen inn i støvsugeren og lukk dekselet til støvboksen.

Ved bruk som blåser

⚠FORSIKTIG: Aldri rett munnstykket mot noen i nærheten.

⚠FORSIKTIG: Ikke bruk apparatet til å blåse luft inn i gjenstander, som gummiflåter, baller eller andre oppblåsbare produkter. Økt omdreining i motoren kan forårsake alvorlig skade på viften.

Sette på eller ta av blåsertilbehøret

For å sette på blåsertilbehøret, rett inn fremspringet på porten til blåsertilbehøret med sporet på ventilen, og skyv det til det klikker.

► **Fig.31:** 1. Blåsertilbehør

For å ta av blåsertilbehøret, trekk porten nedover mens du presser på toppen, som illustrert.

► **Fig.32**

Blåse

Rett spissen på blåsertilbehøret mot gjenstanden som skal blåses bort og så skru du på verktøyet.

► **Fig.33**

VEDLIKEHOLD

⚠FORSIKTIG: Forviss deg alltid om at maskinen er slått av og batteriet tatt ut før du foretar inspeksjon eller vedlikehold.

OBS: Aldri bruk gasolin, bensin, tynner alkohol eller lignende. Det kan føre til misfarging, deformering eller sprekkdannelse.

For å opprettholde produktets SIKKERHET og PÅLITELIGHET, må reparasjoner, vedlikehold og justeringer utføres av autoriserte Makita servicesentre eller fabrikk servicesentre, og det må alltid brukes reservedeler fra Makita.

Rengjøring

Fra tid til annen må du tørke av utsiden av støvsugeren (støvsugerhuset) med en klut fuktet i såpevann. Gjør også rent i sugeåpningen, monteringsområdet for støvpose/papirfilter og støvstopperen.

► **Fig.34**

Vask støvposen i såpevann når den er tettet av støv, og det er lite kraft i oppsugingen. Tørk det ordentlig før bruk. Et filter som ikke er skikkelig tørt kan føre til dårlig sugeeffekt og forkorte motorens levetid.

► **Fig.35**

MERK: Papirfilteret er til engangsbruk.

Når svampfilteret er tilstoppet av støv, må du fjerne det fra støvsugeren og tørke av det eller vaske det med vann.

Fjerne og sette inn svampfilteret

⚠FORSIKTIG: Etter at du har rensset svampfilteret, må du passe på å sette det i støvsugeren. Hvis det vaskes med vann, må du tørke det før det settes inn. Et utilstrekkelig tørt svampfilter kan forkorte motorens levetid.

Når du vil fjerne svampfilteret, må du fjerne støvposen eller papirfilteret, klemme det sammen og ta det ut.

► **Fig.36:** 1. Svampfilter

Trykk inn hele kanten av svampfilteret mot den utsparte veggen på innsiden av monteringsområdet for støvposen/papirfilteret.

► **Fig.37:** 1. Utspart vegg

Oppbevaring

⚠ADVARSEL: Batteriinnsettsen og laderen må aldri etterlates i en bil. Temperaturen inne i en bil som står i sola kan overstige 50 °C (122 °F). Det kan medføre at batteriinnsettsen forringes og resultere i væskelekkasje, røykutvikling eller brann.

► **Fig.38**

⚠ADVARSEL: Aldri bruk laderen i en oppbevaringsbag. Hvis du blokkerer lufteventilen kan det føre til røykutvikling eller brann.

► **Fig.39**

⚠ ADVARSEL: Batteriinnsetsen må aldri lades opp med bilens vekselretter. Det kan medføre unormal varme og resultere i en brann.

⚠ ADVARSEL: Batteriinnsetsen må aldri lades opp i en bil. Hvis batteriinnsetsen utsettes for temperaturer utenfor temperaturområdet 10 °C (50 °F) - 40 °C (104 °F), kan det skje en varmeutvikling og/eller det kan oppstå brann eller det kan eksplodere.

⚠ FORSIKTIG: Du må alltid oppbevare slangen som illustrert for å unngå å snuble når støvsugeren ikke er i bruk.

Du kan lett snuble i en slange som ikke er rullet opp og kan bli skadet.

► **Fig.40:** 1. Krok 2. Slange

Feilsøking

Før du bestiller reparasjon, bør du kontrollere følgende punkter.

Symptom	Område som skal undersøkes	Løsning
Dårlig sugeseffekt	Er støvposen eller papirfilteret fullt av støv?	Tøm støvposen eller papirfilteret.
	Er støvposen tilstoppet?	Fjern støvet eller vask støvposen.
	Er papirfilteret tilstoppet?	Bytt papirfilter.
	Er batteriet tomt?	Lad batteriet.
Fungerer ikke	Er batteriet tomt?	Lad batteriet.
Dekselet på støvboksen lar seg ikke lukke	Er støvposen eller papirfilteret satt inn?	Sette inn støvposen eller papirfilteret.

MERK: Ikke forsøk å reparere støvsugeren selv.

VALGFRITT TILBEHØR

⚠ FORSIKTIG: Det anbefales at du bruker dette tilbehøret eller verktøyet sammen med den Makita-maskinen som er spesifisert i denne håndboken. Bruk av annet tilbehør eller verktøy kan forårsake personskader. Tilbehør og verktøy må kun brukes til det formålet det er beregnet på.

Ta kontakt med ditt lokale Makita-servicesenter hvis du trenger mer informasjon om dette tilbehøret.

- Teleskoprør (rett rør)
- Munnstykke
- Teppemunnstykke
- Hyllebørste
- Hjørnemunnstykke
- Rund børste
- Fleksibel slange
- Papirfilter
- Løst munnstykke
- Setedyse
- Sprekkdyse
- Syklontilbehør
- Støvpose
- Støvpose med stor kapasitet
- Myk veske
- Makita originalbatteri og lader

MERK: Enkelte elementer i listen kan være inkludert som standardtilbehør i verktøypakken. Elementene kan variere fra land til land.

VAROITUS

Tätä laitetta voivat käyttää myös 8-vuotiaat tai sitä vanhemmat lapset sekä henkilöt, joiden fyysiset, sensoriset tai henkiset kyvyt ovat rajoittuneet tai joilla ei ole kokemusta tai tietoa laitteen käytöstä, jos he käyttävät laitetta valvotusti tai jos heille annetaan riittävät ohjeet laitteen käyttämiseksi turvallisella tavalla ja he ymmärtävät siihen liittyvät riskit. Lapset eivät saa leikkiä laitteella. Lapset eivät saa puhdistaa tai huoltaa laitetta ilman valvontaa.

TEKNISET TIEDOT

Malli:	CL121D	
Kapasiteetti	pölypussilla	500 mL
	paperipussilla	330 mL
Jatkuva käyttö (akulla BL1016)	1 (Normaali nopeustila)	Noin 25 min
	2 (Suurnopeustila)	Noin 12 min
	3 (Maksiminopeustila)	Noin 10 min
Kokonaispituus (akulla BL1016)	345 mm	
Nimellisjännite	DC 10,8 V - 12 V maks.	
Nettopaino	1,7–1,8 kg	

- Jatkuvasta tutkimus- ja kehitystyöstämme johtuen esitetyt tekniset tiedot saattavat muuttua ilman erillistä ilmoitusta.
- Tekniset tiedot voivat vaihdella maittain.
- Paino sisältää akkupaketit, mutta ei varusteita. Kevyin ja painavin laite- ja akkupakettiyhdistelmän paino kuvataan taulukossa.

Käytettävä akkupaketti ja laturi

Akkupaketti	BL1015 / BL1016 / BL1020B / BL1021B / BL1040B / BL1041B
Laturi	DC10SA / DC10SB / DC10WC / DC10WD / DC18RE

- Tiettyjä yläpuolella kuvattuja akkuja ja latureita ei ehkä ole saatavana asuinalueestasi johtuen.

VAROITUS: Käytä vain edellä eriteltyjä akkupaketteja ja latureita. Muiden akkupakettien ja laturien käyttäminen voi aiheuttaa loukkaantumisen ja/tai tulipalon.

Symbolit

Laitteessa on käytetty seuraavia symboleja. Opettele niiden merkitys ennen käyttöä.



Lue käyttöohje.



Koskee vain EU-maita
Älä hävitä sähkölaitteita tai akkuja tavallisen kotitalousjätteen mukana! Sähkö- ja elektroniikkalaiteromua koskevan EU-direktiivin ja paristoja ja akkuja sekä käytettyjä paristoja ja akkuja koskevan direktiivin ja niiden maakohtaisten sovelusten mukaisesti käytetyt sähkölaitteet ja akkupaketti (-paketit) on toimitettava ongelmajätteen keräyspisteeseen ja ohjattava ympäristöystävälliseen kierrätykseen.

Käyttötarkoitus

Laitte on tarkoitettu kuivan pölyn imuroimiseen.

TURVAVAROITUKSET

Akkukäyttöisen polynimurin turvallisuusohjeet

VAROITUS: LUE HUOLELLISESTI kaikki turvavaroitukset ja käyttöohjeet ENNEN KÄYTTÖÄ. Jos varoitusten ja ohjeiden noudattaminen laiminlyödään, seurauksena voi olla sähköisku, tulipalo ja/tai vakava vammautuminen.

1. Älä altista laitetta sateelle. Säilytä laitetta sisätiloissa.
2. Älä anna lasten käyttää laitetta leluna. Noudata suurta varovaisuutta, jos annat lasten käyttää laitetta tai käytät laitetta lasten läsnäollessa.
3. Käytä laitetta vain tämän käyttöohjeen mukaisella tavalla. Käytä ainoastaan valmistajan suosittelemia lisävarusteita.
4. Älä käytä laitetta viallisen akun kanssa. Jos laite ei toimi asianmukaisesti tai se on pudonnut, vaurioitunut, jätetty ulos tai pudotettu veteen, toimita se huoltoon.
5. Älä käytä laitetta märin käsin.
6. Älä laita mitään kohteita laitteen aukoihin. Älä käytä laitetta jos joku aukoista on tukossa: pidä aukot puhtaana pölystä, nukasta, hiuksista tai muusta, joka voi haitata ilman virtausta.
7. Pidä hiukset, vaatteet, sormet ja muut kehon osat kaukana laitteen aukoista ja liikkuvista osista.
8. Katkaise virta kaikista säätimistä ennen akun irrottamista.
9. Noudata suurta varovaisuutta portaiden imuroinnin aikana.
10. Älä käytä laitetta syttyvien tai palavien nesteiden, kuten bensiinin, keräämiseen. Älä myöskään käytä sitä tiloissa, joissa voi olla tällaisia nesteitä.
11. Käytä lataamiseen vain valmistajan toimittamaa laturia.
12. Älä kerää mitään palavaa tai savuavaa, kuten savukkeita, tulitikkuja tai kuumaa tuhkaa.
13. Älä käytä laitetta ilman pölypussia ja/tai suodattimia.
14. Älä lataa akkua ulkona.
15. Lataa akkua vain valmistajan määrittämällä laturilla. Tietyille akuille sopiva laturi voi aiheuttaa tulipalovaaran, jos sitä käytetään muuntyyppisen toisen akun kanssa.
16. Käytä sähkötyökaluja vain määritysten mukaisten akkujen kanssa. Muuntyyppisten akkujen käyttäminen voi aiheuttaa loukkaantumis- tai tulipalovaaran.
17. Kun akku ei ole käytössä, säilytä se erillään metalliesineistä, kuten paperiliittimistä, kolikoista, avaimista, nauloista, ruuveista ja muista pienistä metallikappaleista, jotka voivat yhdistää akun navat.
18. Akusta voi vuotaa nestettä, jos sitä käsitellään väärin. Vältä kosketusta. Jos nestettä pääsee iholle vahingossa, huuhtele iho vedellä.
19. Älä käytä viallista tai muunnettua akkua tai työkalua. Vialliset tai muunnellut akut voivat toimia odottamattomasti aiheuttamalla tulipalo-, räjähdys- tai tapaturmavaaran.

20. Älä altista akkua tai työkalua tulelle tai äärimmäisille lämpötiloille. Altistus tulelle tai yli 130 °C lämpötiloille voi aiheuttaa räjähdyksen.
21. Noudata kaikkia latausohjeita, äläkä lataa akkua tai työkalua ohjeissa määritettyjen lämpötilarajojen ulkopuolella. Väärin tai ohjeissa määritettyjen lämpötilarajojen ulkopuolella suoritettu lataus voi aiheuttaa akkuvaurion ja kasvattaa tapaturmavaaraa.

SÄILYÄ NÄMÄ OHJEET.

LISÄTURVALLISUUSOHJEITA

Tämä laite on tarkoitettu kotikäyttöön.

1. Lue nämä käyttöohjeet sekä laturin käyttöohjeet huolellisesti ennen käyttöä.
2. Älä kerää seuraavia aineita:
 - Kuumia aineita, esimerkiksi palavia savukkeita tai metallin hiomisesta tai työstämisestä syntyneitä kipinöitä tai metallipölyä
 - Tulenarkoja aineita, esimerkiksi moottori- tai puhdistusbensiniä, tinneriä, petroolia tai maalia
 - Räjähäviä aineita, esimerkiksi nitroglyseriiniä
 - Herkästi syttyviä aineita, kuten alumiinia, sinkkiä, magnesiumia, titaania, fosforia tai selluloidia
 - Märkää hiekkaa tai savea, vettä, öljyä tai vastaavia aineita
 - Kovia teräsväsymäisiä esineitä, esimerkiksi puunsäleitä, metallinkappaleita, lasia, nauvoja, neuloja ja partakoneentieriä
 - Paakkuuntuvia jauheita, esimerkiksi sementtiä tai väriaineita
 - Sähköä johtavaa pölyä, esimerkiksi metalli- tai hiilipölyä
 - Hienojakoisia aineita, esimerkiksi betonipölyä

Tämä voi aiheuttaa tulipalon sekä henkilö- ja/ tai omaisuusvahinkoja.

3. Lopeta käyttö heti, jos havaitset mitään epänormaalia.
4. Jos imuri kolhiintuu tai putoaa maahan, tarkasta, tuliko siihen vaurioita, ennen kuin käytät sitä.
5. Älä käytä imuria uunien tai muiden lämmönlähteiden läheisyydessä.
6. Älä tuki ilmanottoaukkoa tai tuuletusaukkoja.

SÄILYÄ NÄMÄ OHJEET.

Akkupakettia koskevia tärkeitä turvaohjeita

1. Ennen akun käyttöönottoa tutustu kaikkiin laturissa (1), akussa (2) ja akkukäyttöisessä tuotteessa (3) oleviin varoitusteksteihin.
2. Älä pura akkua.
3. Jos akun toiminta-aika lyhenee merkittävästi, lopeta akun käyttö. Seurauksena voi olla ylikuumentuminen, palovammoja tai jopa räjähdys.

4. Jos akkuneustettää pääsee silmiin, huuhtelee puhtaalla vedellä ja hakeudu välittömästi lääkärin hoitoon. Akkuneuste voi aiheuttaa näön menetyksen.
5. Älä oikosulje akkua.
 - (1) Älä koske akun napoihin millään sähköä johtavalla materiaalilla.
 - (2) Vältä akun oikosulkemista äläkä säilytä akkua yhdessä muiden metalliesineiden, kuten naulojen, kolikoiden ja niin edelleen kanssa.
 - (3) Älä aseta akkua alttiiksi vedelle tai sateelle.

Oikosulkukku voi aiheuttaa virtapiikin, ylikuumentumista, palovammoja tai laitteen rikkoontumisen.
6. Älä säilytä työkalua ja akkua paikassa, jossa lämpötila voi nousta 50 °C:een tai sitäkin korkeammaksi.
7. Älä hävitä akkua polttamalla, vaikka se olisi pahoin vaurioitunut tai täysin loppuun kulunut. Avotuli voi aiheuttaa akun räjähtämisen.
8. Varo kolhimasta tai pudottamasta akkua.
9. Älä käytä viallista akkua.
10. Sisältyviä litium-ioni-akkua koskevat vaarallisten aineiden lainsäädännön vaatimukset. Esimerkiksi kolmansien osapuolten huolintaliikkeiden tulee kaupallisissa kuljetuksissa noudattaa pakkaamista ja merkintöjä koskevia erityisvaatimuksia. Lähettävän tuotteen valmistelu edellyttää vaarallisten aineiden asiantuntijan neuvontaa. Huomioi myös mahdollisesti yksityiskohtaisemmat kansalliset määräykset Akun voimit liittimet tulee suojata teipillä tai suojuksella ja pakkaaminen tulee tehdä niin, ettei akku voi liikkua pakkauksessa.
11. Hävitä akku paikallisten määräysten mukaisesti.
12. Käytä akkuja vain Makitan ilmoittamien tuotteiden kanssa. Akkujen asentaminen yhteensopimattomiin tuotteisiin voi aiheuttaa tulipalon, liiallisen ylikuumentumisen, räjähdysriskin tai akkuneustevuotoja.

SÄILYTÄ NÄMÄ OHJEET.

⚠HUOMIO: Käytä vain alkuperäisiä Makita-akkuja. Muiden kuin aitojen Makita-akkujen, tai mahdollisesti muutettujen akkujen käyttö voi johtaa akun murtumiseen ja aiheuttaa tulipaloja, henkilö- ja omaisuusvahinkoja. Se mitätöi myös Makita-työkalun ja -laturin Makita-takuun.

Vihjeitä akun käyttöön pidentämiseksi

1. Lataa akku ennen kuin se purkautuu täysin. Lopeta aina työkalun käyttö ja lataa akku, jos huomaat työkalun tehon vähenevän.
2. Älä koskaan lataa uudestaan täysin ladattua akkua. Yliilataaminen lyhentää akun käyttöikää.
3. Lataa akku huoneen lämpötilassa välillä 10 °C - 40 °C. Anna kuuman akun jäähtyä ennen lataamista.

TOIMINTOJEN KUVAUS

⚠HUOMIO: Varmista aina ennen säätöjä ja tarkastuksia, että työkalu on sammutettu ja akkupaketti irrotettu.

⚠HUOMIO: Varo, etteivät sormesi jää imurin ja akun väliin akun latauksen aikana. Sormien puristuminen voi aiheuttaa tapaturmia.

Akun asentaminen tai irrottaminen

⚠HUOMIO: Sammuta työkalu aina ennen akun kiinnittämistä tai irrottamista.

⚠HUOMIO: Pidä työkalusta ja akusta tiukasti kiinni, kun irrotat tai kiinnität akkua. Jos akkupaketti tai työkalu putoaa, ne voivat vaurioitua tai aiheuttaa tapaturman.

► **Kuva1:** 1. Punainen merkkivalo 2. Painike 3. Akkupaketti

Irrota akku painamalla akun etupuolella olevaa painiketta ja vetämällä akku ulos työkalusta.

Akkua liitetään sovitamalla akun kieleke rungon uraan ja työntämällä se sitten paikoilleen. Työnä akku pohjaan asti niin, että kuulet sen napsahtavan paikoilleen. Jos painikkeen yläpuolella näkyy punainen ilmaisin, akku ei ole lukkiutunut täysin paikoilleen.

⚠HUOMIO: Työnnä akku aina pohjaan asti, niin että punainen ilmaisin ei enää näy. Jos akku ei ole kunnolla paikallaan, se voi pudota työkalusta ja aiheuttaa vammoja joko sinulle tai sivullisille.

⚠HUOMIO: Älä käytä voimaa akun asennuksessa. Jos akku ei liu'u paikalleen helposti, se on väärässä asennossa.

Työkalun/akun suojausjärjestelmä

Työkalu on varustettu työkalu/akun suojausjärjestelmällä. Tämä järjestelmä pidentää työkalun ja akun käyttöikää katkaisemalla automaattisesti moottorin virran. Työkalu pysähtyy automaattisesti kesken käytön, jos työkalussa tai akussa ilmenee jokin seuraavista tilanteista. Joissakin tilanteissa merkkivalo syttyy.

► **Kuva2:** 1. Merkkivalo

Ylikuormitussuoja

Kun työkalua käytetään tavalla, joka saa sen kuluttamaan epätavallisen paljon virtaa, työkalu pysähtyy automaattisesti ja merkkivalo vilkkuu noin 60 sekunnin ajan. Katkaise tässä tilanteessa työkalusta virta ja lopeta ylikuormitustilan aiheuttanut käyttö. Käynnistä sitten työkalu uudelleen kytkemällä siihen virta.

Ylikuumentumissuoja

Kun työkalu/akku ylikuumentuu, työkalu pysähtyy automaattisesti ja akun merkkivalo syttyy noin 60 sekunnin ajaksi. Tällöin työkalu ei käynnisty, vaikka kytkisit sen uudelleen päälle. Anna tässä tilanteessa akun jäähtyä, ennen kuin kytket työkalun virran uudelleen.

Ylipurkautumissuoja

Kun akun varaus on vähissä, merkkivalo alkaa vilkkua. Jos käyttöä jatketaan, työkalu pysähtyy ja merkkivalo syttyy noin 60 sekunnin ajaksi. Jos kytket työkalun päälle, moottori alkaa toimia, mutta pysähtyy pian. Lataa tässä tilanteessa akkupaketti.









HUOMAA: Merkkivalon syttymisajankohta vaihtelee työskentelyalueen lämpötilan ja akkupaketin olosuhteiden mukaan.

Akun jäljellä olevan varaustason ilmaisimien

Vain akkupaketeille ilmaisimella

► **Kuva3:** 1. Merkkivalot 2. Tarkistuspainike

Painamalla tarkistuspainiketta saat näkyviin akun jäljellä olevan varauksen. Merkkivalot palavat muutaman sekunnin ajan.

Merkkivalot		Akussa jäljellä olevan varaus
Palaa	Pois päältä	
		75% - 100%
		50% - 75%
		25% - 50%
		0% - 25%

HUOMAA: Ilmoitettu varaustaso voi erota hieman todellisesta varaustasosta sen mukaan, millaisissa oloissa ja missä lämpötilassa laitetta käytetään.

Kytkimen käyttäminen

► **Kuva4:** 1. ON/nopeudenvaihtopainike
2. OFF-painike

Käynnistä imuri painamalla ON/nopeudenvaihtopainiketta. Sammuta painamalla OFF-painiketta. Voit muuttaa imurin nopeutta kolmivaiheisesti painamalla ON/nopeudenvaihtopainiketta. Ensimmäinen painikkeen painallus siirtää toiminnon suurnopeustilaan, toinen painallus maksiminopeustilaan ja kolmas painallus normaaliin nopeustilaan. Kukin painikkeen painallus vaihtaa käyntinopeutta suur-/maksimi-/normaalin nopeustilan välillä.

KOKOONPANO

⚠HUOMIO: Varmista aina ennen mitään työkalulle tehtäviä toimenpiteitä, että se on sammutettu ja akku irrotettu.

Pölypussi ja paperipussi

Asenna imuriin joko pölypussi tai paperipussi ennen imurin käyttöä.

Käytä pölytiivistettä, kun asennat pölypussin tai paperipussin.

Pölypussin voi tyhjentää, joten sitä voi käyttää useita kertoja. Paperipussit ovat kertakäyttöisiä. Heitä täysi paperipussi pois sellaisenaan tyhjentämättä sitä.

HUOMAUTUS: Pölyn pääsyn estäminen moottoriin:

- Varmista, että pölypussi tai paperipussi on asennettu oikein paikalleen ennen imurin käyttöä.
- Aseta pölytiiviste yhdessä pölypussin tai paperipussin kanssa sovittamalla ne täysin paikalleen kiinnitysurauan.
- Älä käytä rikkinäistä tai viallista pussia.

Muussa tapauksessa seurauksena voi olla moottorivaurio.

HUOMAUTUS: Älä taita pahvia sen avauskohdasta paperipussin kiinnityksen aikana.

HUOMAUTUS: Älä heitä pölytiivistettä pois sillä sitä tulee käyttää, kun käytössä on pölypussi tai paperipussi.

HUOMAUTUS: Pölynimurin paperipussi on tärkeä osa imurin suorituskyvyn säilyttämisen kannalta. Muu kuin alkuperäinen paperipussi voi savuta tai syttyä tuleen.

Pölypussin kiinnitys

Käytä pölytiivistettä, kun asennat pölypussin. Varmista, että pölytiiviste tulee oikeinpäin, sillä sen ylä- ja alareunat ovat erilaisia.

► **Kuva5:** 1. Pölytiivisteen yläosa 2. Pölytiivisteen alaosa

1. Aseta pölypussin uloke pölytiivisteessä olevaan uraan kuvan mukaisesti.

Pölypussin ylä- ja alaosa eivät poikkea toisistaan. Sen ulokkeen voi asettaa pölytiivisteen uraan kummin päin tahansa.

► **Kuva6:** 1. Pölytiiviste 2. Ura 3. Pölypussi

2. Taita pölytiivisteen kehys pölypussin kehysten päälle.

► **Kuva7**

3. Aseta pölytiiviste yhdessä pölypussin kanssa imurin säiliöön pölytiivisteessä olevan nuolen osoittamassa suunnassa. Aseta ne kokonaan paikalleen pölynimurin säiliön uraan.

► **Kuva8:** 1. Ura

4. Aseta pölypussin kankainen pussi kokonaan imurin sisään.

► **Kuva9**

5. Sulje pölykotelon kansi kokonaan.

► **Kuva10:** 1. Pölykotelon kansi

HUOMAA: Kun pölynimurissa ei ole pölypussia, pölykotelon kansi ei sulkeudu kokonaan.

Paperipussin kiinnitys

Käytä pölytiivistettä myös paperipussin kanssa. Varmista, että pölytiiviste tulee oikeinpäin, sillä sen ylä- ja alareunat ovat erilaisia.

► **Kuva11:** 1. Pölytiivisteen yläosa 2. Pölytiivisteen alaosa

1. Avaa paperipussin suuaukko, ennen kuin kiinnität sen pölytiivisteeseen.

► **Kuva12**

2. Aseta paperipussin uloke pölytiivisteessä olevaan uraan kuvan mukaisesti.

Paperipussin ylä- ja alaosa eivät poikkea toisistaan. Sen ulokkeen voi asettaa pölytiivisteen uraan kummin päin tahansa.

► **Kuva13:** 1. Pölytiiviste 2. Ura 3. Paperipussi

3. Taita pölytiivisteen kehys pölypussin kehukseen.

► **Kuva14**

4. Aseta pölytiiviste yhdessä paperisuodattimen kanssa imurin säiliöön pölytiivisteessä olevan nuolen osoittamassa suunnassa. Aseta ne kokonaan paikalleen pölynimurin säiliön uraan.

► **Kuva15:** 1. Ura

5. Aseta paperipussi kokonaan imurin sisään.

► **Kuva16**

6. Sulje pölykotelon kansi kokonaan.

► **Kuva17:** 1. Pölykotelon kansi

HUOMAA: Kun pölynimurissa ei ole paperipussia, pölykotelon kansi ei sulkeudu kokonaan.

Olkahihnan kiinnittäminen

⚠HUOMIO: Varo, ettei olkahihna jää kiinni lähellä oleviin esineisiin.

⚠HUOMIO: Varo, ettei olkahihna pääse luistamaan olaltasi, kun käytät pölynimuria. Pölynimurin käsittely onnistuu vakaasti, kun asetat olkahihnan vartalosi poikki.

Kiinnitä olkahihnan soljet imurin kiinnityskohtiin kuvan osoittamalla tavalla.

► **Kuva18:** 1. Olkahihna 2. Solki 3. Kiinnityskohta

HUOMAA: Voit kiinnittää olkahihnan myös pehmeään pussiin (valinnainen lisävaruste) kuvan mukaisesti.

► **Kuva19**

TYÖSKENTELY

⚠HUOMIO: Pidä aina kahvasta, kun kannat pölynimuria. Jos kannat pölynimuria lisävarusteosasta, se voi irrota pölynimurista, mikä voi johtaa henkilövammiin.

⚠HUOMIO: Älä ota kiinni letkuliitoksesta kuvan mukaisesti. Sormesi voi jäädä puristuksiin, jos tartut kiinni letkuliitoksesta.

► **Kuva20:** 1. Letkuliitos

Käyttäminen pölynimurina

HUOMAA: Irrota puhallinlisävaruste ennen pölynimurin puhdistamista. Puhallinlisävarusteen asentaminen pölynimuriin heikentää imutehoa.

Imurilisävarusteen asennus ja irrotus

Liitä lisävarusteet, kuten suutin kiertämällä ja liittämällä se luotettavasti paikalleen. Irrota se kääntämällä ja vetämällä.

Kuvien mukaiset asennustavat vaihtelevat suuttimien mukaan.

► **Kuva21:** 1. Letku 2. Kumisuutin 3. Pehmeä harja 4. Istuinsuutin 5. Mattosuutin

Imuroiminen

Kumisuutin

Tämä suutin sopii parhaiten onkaloissa olevien kulmien, kuten ovitaskujen, puhdistamiseen. Kumisuutin on hellävarainen puhdistettavalle pinnalle.

► **Kuva22:** 1. Kumisuutin

Pehmeä harja

Tämä suutin sopii parhaiten ilmasäleikköjen, kojelaudan jne. imuroimiseen. Pehmeän harjan suutinpään voi kääntää haluttuun kulmaan.

► **Kuva23:** 1. Pehmeä harja

Istuinsuutin

Tässä suuttimessa on istuinpintojen puhdistamiseen sopiva nukkaharja. Suuttimen sivuharja on hyödyllinen pölyn irrottamisessa saumoista.

► **Kuva24:** 1. Istuinsuutin 2. Sivuharja

Mattosuutin

Tätä suutinta käytetään lattiamattojen ja kokolattiamattojen puhdistamiseen. Suuttimessa olevat hampaat auttavat hiekanmurujen irrottamisessa.

► **Kuva25:** 1. Mattosuutin

Siivous ilman suutinta

Voit imuroida myös ilman suutinkappaletta.

► **Kuva26**

Pölyn hävittäminen

⚠HUOMIO: Tyhjennä pölypussi tai vaihda paperipussi ennen sen täyttymistä. Muutoin imuteho voi heiketä.

⚠HUOMIO: Varo, etteivät sormesi jää pölykotelon kannen väliin sulkiessasi sitä.

HUOMAUTUS: Älä heitä pölytiivistettä pois, sillä sitä tulee käyttää, kun käytettäessä pölypussia tai paperipussia.

HUOMAUTUS: Kun pölynimurissa ei ole pöly-/paperipussia, pölykotelon kansi ei sulkeudu kokonaan. Älä yritä sulkea pölykotelon kantta väkisin. Se voi johtaa työkalun rikkoutumiseen.

HUOMAUTUS: Kun poistat kerääntyneen pölyn, puhdista samalla pöly-/paperipussin ympäristö. Pussin ympäristöön jäävä pöly ja lika voivat johtaa suodattimen tukkeutumiseen tai moottorin vaurioitumiseen.

1. Avaa pölykotelon kansi.
► **Kuva27:** 1. Pölykotelon kansi
2. Irrota oranssi pölytiiviste ja pöly-/paperipussi samanaikaisesti.
► **Kuva28:** 1. Pölytiiviste
3. **Pölypussia käytettäessä**
Irrota pölytiiviste ja tyhjennä pölypussi.
► **Kuva29:** 1. Pölytiiviste 2. Pölypussi

Paperipussia käytettäessä

Irrota pölytiiviste ja hävitä paperipussi.
► **Kuva30:** 1. Pölytiiviste 2. Paperipussi

4. Aseta pölypussi/uusi paperipussi ja pölytiiviste pölynimuriin samanaikaisesti ja sulje pölykotelon kansi.

Käyttäminen puhaltimena

▲HUOMIO: Älä suuntaa suutinta muita ihmisiä kohti.

▲HUOMIO: Älä käytä pölynimuria ilman puhaltamiseen esineisiin, kuten kumiveneisiin, palloihin tai muihin ilmalla täytettäviin tuotteisiin. Moottorin nopeampi pyörintä voi aiheuttaa tuulettimen vaarallisen rikkoutumisen.

Puhallinlisävarusteen asentaminen tai irrottaminen

Kytke puhallinlisävaruste kohdistamalla puhallinlisävarusteen kiinnikkeessä oleva uloke ilmanvaihtoaukon uraan ja työntämällä lisävaruste paikalleen niin, että se napsahtaa kiinni.

► **Kuva31:** 1. Puhallinlisävaruste

Irrota puhallinlisävaruste painamalla kiinnikettä alaspäin ja painamalla samalla sen yläosaa kuvan mukaisesti.

► **Kuva32**

Puhallus

Osoita pois puhallettavaa kohdetta puhallinlisävarusteen päällä ja käynnistä työkalu.

► **Kuva33**

KUNNOSSAPITO

▲HUOMIO: Varmista aina ennen tarkastusta tai huoltoa, että työkalu on sammutettu ja akku irrotettu.

HUOMAUTUS: Älä koskaan käytä bensiiniä, ohenteita, alkoholia tai tms. aineita. Muutoin pinta voi halkeilla tai sen värit ja muoto voivat muuttua. Muutoin laitteeseen voi tulla värjäytyksiä, muodon vääristymiä tai halkeamia.

Tuotteen TURVALLISUUDEN ja LUOTETTAVUUDEN takaamiseksi korjaukset, muut huoltotyöt ja säädöt on teetettävä Makitan valtuutetussa huoltopisteessä Makitan varaosia käyttäen.

Puhdistus

Pyyhi ajoittain imurin ulkopuoli (laitekotelo) pesuainevedellä kostutetulla liinalla.

Puhdista myös imuaukko, pölypussin/paperipussin kiinnitysalue sekä pölytiiviste.

► **Kuva34**

Pese pölypussi saippuavedessä, jos pussi on pölyn tukkima ja imurin imuteho on heikko. Kuivaa pussi huolellisesti ennen käyttöä. Jos suodatin ei ole kuiva, se voi heikentää laitteen imutehoa ja lyhentää moottorin käyttöikää.

► **Kuva35**

HUOMAA: Paperipussit ovat kertakäyttöisiä.

Kun suodatin on tukossa pölystä, irrota se imurista ja pyyhi se puhtaaksi tai pese se vedellä.

Suodattimen irrottaminen ja kiinnittäminen

▲HUOMIO: Asenna suodatin puhdistuksen jälkeen takaisin imuriin. Anna suodattimen kuivua vesipe-sun jälkeen, ennen kuin asennat sen takaisin. Jos suodatin ei ole kuiva, se voi lyhentää moottorin käyttöikää.

Irrota suodatin, irrottamalla ensin pölypussi tai paperipussi ja irrota suodatin sitten puristusotteella.

► **Kuva36:** 1. Sienisuodatin

Paina suodattimen reuna koko matkaltaan pölypussin/paperipussin asennuspaikan sisäseinää vasten.

► **Kuva37:** 1. Sisäseinä

Säilytys

▲VAROITUS: Älä koskaan jätä akkupakettia ja laturia autoon. Aurinkoon jätetyn auton sisälämpötila voi nousta yli 50 °C:een (122 °F). Se voi heikentää akkupakettia ja johtaa neste-n vuotamiseen akusta tai akun savuamiseen tai syttymiseen.

► **Kuva38**

▲VAROITUS: Älä koskaan käytä laturia sen ollessa säilytyspussissa. Ilmanvaihtokanavan tukki-minen voi johtaa laturin savuamiseen tai syttymiseen.

► **Kuva39**

VAROITUS: Älä koskaan lataa akkupakettia ajoneuvomuuntajalla. Se voi johtaa epänormaaliin lämpenemiseen ja tulipaloon.

VAROITUS: Älä koskaan lataa akkupakettia autossa. Akkupaketin käyttäminen muissa lämpötiloissa kuin 10 °C (50 °F) – 40 °C (104 °F) voi johtaa akun kuumentumiseen ja/tai syttymiseen tai räjähtämiseen.

HUOMIO: Aseta letku aina kuvan mukaisesti, jotta et kompastu siihen pölynimuria käytettäessä.

Kiinnittämätön letku voi jäädä kiinni jalkaasi ja aiheuttaa henkilövammoja.

► **Kuva40:** 1. Kiinnike 2. Letku

Vianmääritys

Tarkasta seuraavat kohdat ennen korjauspyyntöä.

Oire	Tarkastettava kohta	Kiinnitystapa
Heikko imuteho	Onko pölypussi tai paperipussi täynnä pölyä?	Tyhjennä pölypussi tai paperipussi.
	Onko pölypussi tukossa?	Tyhjennä pöly tai pese pölypussi.
	Onko paperipussi tukossa?	Vaihda paperipussi.
	Onko akun varaus loppunut?	Lataa akku.
Ei toimintaa	Onko akun varaus loppunut?	Lataa akku.
Pölykotelon suojus ei sulkeudu	Onko pölypussi tai paperipussi paikallaan?	Aseta pölypussi tai paperipussi paikalleen.

HUOMAA: Älä yritä itse korjata imuria.

LISÄVARUSTEET

HUOMIO: Seuraavia lisävarusteita tai laitteita suositellaan käytettäväksi tässä ohjeessa kuvatun Makita-työkalun kanssa. Muiden lisävarusteiden tai laitteiden käyttö voi aiheuttaa henkilövahinkoja. Käytä lisävarusteita ja -laitteita vain niiden käyttötarkoituksen mukaisesti.

Jos tarvitset apua tai yksityiskohtaisempia tietoja seuraavista lisävarusteista, ota yhteys paikalliseen Makitan huoltoon.

- Jatkovarsi (suora putki)
- Suutin
- Mattosuutin
- Hyllyharja
- Kulmasuutin
- Pyöreä harja
- Joustava letku
- Paperipussi
- Vapaa suulake
- Istuinsuutin
- Rakosuulake
- Sykloniliselävaruste
- Pölypussi
- Suurtehopölypussi
- Pehmeä pussi
- Aito Makitan akku ja laturi

HUOMAA: Jotkin luettelossa mainitut varusteet voivat sisältyä työkalun toimitukseen vakiovarusteina. Ne voivat vaihdella maittain.

BRĪDINĀJUMS

Šo ierīci drīkst izmantot bērni no 8 gadu vecuma un personas ar samazinātām fiziskām, sensoriskām vai psihiskām spējām, vai kam trūkst pieredzes un zināšanu, ja tām nodrošināta uzraudzība un sniegti norādījumi par ierīces drošu izmantošanu un ja ir izprasti saistītie apdraudējumi. Bērni nedrīkst spēlēt ar ierīci. Ierīces tīrīšanu un apkopi nedrīkst veikt bērni bez uzraudzības.

SPECIFIKĀCIJAS

Modelis:		CL121D
Tilpums	ar putekļu maisu	500 mL
	ar papīra filtru	330 mL
Nepārtraukta lietošana (ar akumulatoru BL1016)	1 (parasta ātruma režīms)	Apm. 25 min
	2 (liela darbības ātruma režīms)	Apm. 12 min
	3 (maks. darbības ātruma režīms)	Apm. 10 min
Kopējais garums (ar akumulatoru BL1016)		345 mm
Nominālais spriegums		10,8 V - 12 V maks. līdstrāva
Tīrsvars		1,7–1,8 kg

- Nepārtrauktās izpētes un izstrādes programmas dēļ šeit uzrādītās specifikācijas var tikt mainītas bez brīdinājuma.
- Atkarībā no valsts specifikācijas var atšķirties.
- Svarā nav iekļauti piederumi, bet tikai akumulatora kasetne(-es). Vieglākais un smagākais ierīces un akumulatora kasetnes(-ņu) kopējais svars ir norādīts tabulā.

Piemērotā akumulatora kasetne un lādētājs

Akumulatora kasetne	BL1015 / BL1016 / BL1020B / BL1021B / BL1040B / BL1041B
Lādētājs	DC10SA / DC10SB / DC10WC / DC10WD / DC18RE

- Daži no iepriekš norādītajiem lādētājiem un akumulatora kasetnēm var nebūt pieejami atkarībā no jūsu mītnes reģiona.

BRĪDINĀJUMS: Izmantojiet vienīgi iepriekš norādītās akumulatora kasetnes un lādētājus. Cita tipa akumulatora kasetņu un lādētāju izmantošana var radīt traumu un/vai aizdegšanās risku.

Simboli

Zemāk ir attēloti simboli, kas attiecas uz iekārtu. Pirms darbarīka izmantošanas pārlicinieties, vai pareizi izprotāt to nozīmi.



Izlasiet lietošanas rokasgrāmatu.



Tikai ES valstīm
Elektroierīces vai akumulatora bloku neizmetiet māsaimniecības atkritumos! Saskaņā ar Eiropas direktīvām par noliegtām elektriskām un elektroniskām iekārtām, kā arī par baterijām un akumulatoriem, noliegtām baterijām un akumulatoriem un šo direktīvu ieviešanu saskaņā ar valsts likumdošanu, elektriskās iekārtas, baterijas un akumulatori, to darbūžam beidzoties, jāsavāc atsevišķi un jānogādā vidi saudzējošā otrreizējās pārstrādes uzņēmumā.

Paredzētā lietošana

Šis darbarīks ir paredzēts sausu putekļu savākšanai.

DROŠĪBAS BRĪDINĀJUMI

Drošības brīdinājumi attiecībā uz bezvadu tīrītāju

▲BRĪDINĀJUMS: SVARĪGI! PIRMS LIETOŠANAS UZMANĪGI IZLASIET visus drošības brīdinājumus un visus norādījumus. Brīdinājumu un norādījumu neievērošanas gadījumā var rasties elektotrauma, aizdegšanās un/vai smagas traumas.

1. Neatstājiet lietū. Uzglabājiet telpās.
2. Neļaujiet izmantot kā rotaļlietu. Īpaša uzmanība jāpievērš, kad darbarīku izmanto bērni vai tas tiek izmantots bērnu tuvumā.
3. Izmantojiet tikai tā, kā norādīts šajā rokasgrāmatā. Lietojiet tikai darbarīka ražotāja ieteiktās papildierīces.
4. Neizmantojiet ar bojātu akumulatoru. Ja ierīce nedarbojas, kā paredzēts, tikusi nomesta, ir bojāta, atstāta ārpus telpām vai iemesta ūdenī, nogādājiet to apkopes centrā.
5. Nelietojiet ierīci ar mitrām rokām.
6. Neievietojiet tās atverēs priekšmetus. Nelietojiet ierīci, ja nosprostota kāda no atverēm — tajās nedrīkst būt putekļu, plūksnu, matu un citu svešķermeņu, kas var ierobežot gaisa plūsmu.
7. Netuviniet matus, vaļiņu apģērbu, pirkstus un ķermeņa daļas atverēm un kustīgajām daļām.
8. Pirms akumulatora izņemšanas izslēdziet visas vadības ierīces.
9. Īpaši uzmanieties, tīrot uz kāpnēm.
10. Neizmantojiet viegli uzliesmojošu vai ugunsnedrošu šķidrumu, piemēram, benzīna savākšanai, kā arī nelietojiet ierīci vietās, kur šādi šķidrumi var būt.
11. Uzlādei izmantojiet tikai ražotāja nodrošināto lādētāju.
12. Neizmantojiet degošu vai dūmojošu priekšmetu, piemēram, cigarešu, sērkokociņu vai karstu pelnu savākšanai.
13. Nelietojiet ierīci, ja nav uzstādīts putekļu maiss un/vai filtri.
14. Nelādējiet akumulatoru ārpus telpām.
15. Uzlādei izmantojiet tikai ražotāja norādītos lādētājus. Vienam akumulatoru tipam paredzēta lādētāja izmantošana cita tipa akumulatoru uzlādei var radīt aizdegšanās draudus.
16. Mehānizētos darbarīkus izmantojiet tikai ar paredzētajiem akumulatoriem. Cita tipa akumulatoru izmantošana var radīt traumu un aizdegšanās bīstamību.
17. Ja akumulatora bloku neizmantojat, novietojiet to drošā attālumā no metāla priekšmetiem, piemēram, saspraudēm, monētām, atslēgām, naglām, skrūvēm un citiem nelieliem metāla priekšmetiem, kas var savienot spailes.
18. Nepareizas lietošanas gadījumā no akumulatora var iztect šķidrums; nepieskarieties tam. Ja nejauši pieskārties šķidrumam, skarto vietu noskalojiet ar ūdeni.
19. Ja akumulatora bloks vai darbarīks ir bojāts vai pārveidots, nelietojiet to. Bojāti vai pārveidoti akumulatori var darboties nepareizi, izraisot aizdegšanos, sprādzienu vai traumu.

20. Akumulatora bloku un darbarīku nepakļaujiet uguns un pārmērīgi augstas temperatūras ietekmei. Ja akumulatora bloks vai darbarīks tiek pakļauts uguns vai par 130 °C augstākas temperatūras iedarbībai, var notikt sprādziens.
21. Izpildiet visus uzlādes norādījumus un neuzlādējiet akumulatora bloku ārpus norādījumos noteiktā temperatūras diapazona. Nepareiza uzlāde vai temperatūra, kas ir ārpus noteiktā diapazona, var sabojāt akumulatoru un palielināt aizdegšanās draudus.

SAGLABĀJIET ŠOS NORĀDĪJUMUS.

PAPILDU DROŠĪBAS NOTEIKUMI

Šī ierīce ir paredzēta lietošanai mājāsaimniecībā.

1. Pirms lietošanas rūpīgi izlasiet šo rokasgrāmatu un lādētāja rokasgrāmatu.
2. Nevāciet šeit nosauktos materiālus.
 - Karstus priekšmetus, piemēram, aizdegas cigaretes vai dzirksteles/metāla putekļus, kas radušies metāla slīpēšanas/zāģēšanas laikā.
 - Ugunsnedrošas vielas, piemēram, benzīnu, šķīdinātāju, petroleju vai krāsu.
 - Sprādzienbīstamas vielas, piemēram, nitroglicerīnu.
 - Uzliesmojošus materiālus, piemēram, alumīniju, cinku, magniju, titānu, fosforu vai celuloīdu.
 - Mitrus neīrūmus, ūdeni, eļļu vai līdzīgas vielas.
 - Cietus priekšmetus ar asām malām, piemēram, koka skaidas, metāla gabalus, akmeņus, stiklu, naglas, saspraudes vai žiletas.
 - Pulveri, kas sacietē, piemēram, cementu vai toneri.
 - Vadītspējīgus putekļus, piemēram, metāla vai oglekļa putekļus.
 - Sīkas daļiņas, piemēram, betona putekļus.Šāda rīcība var izraisīt aizdegšanos, traumas un/vai materiālos zaudējumus.
3. Nekavējoties pārtrauciet darbu, ja ievērojat novirzes no normas.
4. Ja tīrītāju noņemat vai tas citādi saņem triecienu, pirms tā darbināšanas rūpīgi pārbaidiet, vai tīrītājam nav plaisu vai bojājumu.
5. Nelietojiet to krāsns vai citu karstuma avotu tuvumā.
6. Nenobloķējiet ieplūdes atveri un ventilācijas atveres.

SAGLABĀJIET ŠOS NORĀDĪJUMUS.

Svarīgi drošības norādījumi par akumulatora kasetni

1. Pirms akumulatora lietošanas izlasiet visus norādījumus un brīdinājumus, kuri attiecas uz (1) akumulatora lādētāju, (2) akumulatoru un (3) ierīci, kurā tiek izmantots akumulators.
2. Neizjauciet akumulatoru.
3. Ja akumulatora darbības laiks kļūva ievērojami īsāks, nekavējoties pārtrauciet to izmantot. Citādi, tas var izraisīt pārkarsējumu, uzliesmojumu vai pat sprādzienu.

4. Ja elektrolīts nonāk acīs, izskalojiet tās ar tīru ūdens un nekavējoties griežieties pie ārsta. Tas var izraisīt redzes zaudēšanu.
5. Neradiet īssavienojumu akumulatora kasetnē:
 - (1) Nepieskarieties spaiļēm ar elektrību vadošiem materiāliem.
 - (2) Neuzglabājiet akumulatoru kasetni kopā ar citiem metāla priekšmetiem, tādiem kā naglas, monētas u. c.
 - (3) Nepakļaujiet akumulatora kasetni ūdens vai lietus iedarbībai.

Akumulatora īssavienojums var radīt spēcīgu strāvas plūsmu, pārkaršanu, uzliesmojumu un pat sabojāt akumulatoru.

6. Neglabājiet darbarīku un akumulatora kasetni vietās, kur temperatūra var sasniegt vai pārsniegt 50 °C (122 °F).
7. Nededziniet akumulatora kasetni, pat ja tā ir stipri bojāta vai pilnībā nolietota. Akumulatora kasetne ugunī var eksplodēt.
8. Uzmanieties, lai neļautu akumulatoram nokrist un nepakļautu to stienam.
9. Neizmantojiet bojātu akumulatoru.
10. Uz izmantotajiem litija jonu akumulatoriem attiecas likumdošanas prasības par bīstamiem izstrādājumiem.

Komerציālā transportēšanā, ko veic, piemēram, trešās puses, transporta uzņēmumi, jāievēro uz iesaiņojuma un marķējuma norādītās īpašās prasības. Lai izstrādājumu sagatavotu nosūtīšanai, jāsaazinās ar bīstamo materiālu speciālistu. Ievērojiet arī citus attiecināmos valsts normatīvus.

Valējus kontaktus nosedziet ar līmlenti vai citādi pārklājiet, bet akumulatoru iesaiņojiet tā, lai sainī tas nevarētu izkustēties.

11. Ievērojiet vietējos noteikumus par akumulatora likvidēšanu.
12. Izmantojiet šos akumulatorus tikai ar izstrādājumiem, kurus norādījis Makita. Ievietojot šos akumulatorus nesaderīgos izstrādājumos, var rasties ugunsgrēks, pārmērīgs karstums, tie var uzspārgt vai no tiem var iztect elektrolīts.

SAGLABĀJIET ŠOS NORĀDĪJUMUS.

⚠UZMANĪBU: Lietojiet tikai oriģinālos Makita akumulatorus. Ja lietojat neoriģinālus Makita akumulatorus vai pārveidotus akumulatorus, tie var uzspārgt un izraisīt aizdegšanos, traumas un materiālos zaudējumus. Tiks anulēta arī Makita darbarīka un lādētāja garantija.

Ieteikumi akumulatora kalpošanas laika pagarināšanai

1. Uzlādējiet akumulatora kasetni, pirms tā ir pilnībā izlādējusies. Vienmēr, kad ievērojāt, ka darbarīka darba jauda zudusi, apturiet darbarīku un uzlādējiet akumulatora kasetni.
2. Nekad neuzlādējiet pilnībā uzlādētu akumulatora kasetni. Pārmērīga uzlāde saīsina akumulatora kalpošanas laiku.
3. Uzlādējiet akumulatora kasetni istabas temperatūrā 10 °C - 40 °C. Karstai akumulatora kasetnei pirms uzlādes ļaujiet atdzist.

FUNKCIJU APRAKSTS

⚠UZMANĪBU: Pirms darbarīka regulēšanas vai tā darbības pārbaudes vienmēr pārliecinieties, ka darbarīks ir izslēgts un akumulatora kasetne ir izņemta.

⚠UZMANĪBU: Uzmanieties, lai, ievietojot akumulatoru, pirksts(-i) nenokļūtu starp tīrītāju un akumulatoru, kā parādīts attēlā. Iespējot pirkstus, tie var tikt traumēti.

Akumulatora kasetnes uzstādīšana un izņemšana

⚠UZMANĪBU: Vienmēr pirms akumulatora kasetnes uzstādīšanas vai noņemšanas izslēdziet darbarīku.

⚠UZMANĪBU: Uzstādot vai izņemot akumulatora kasetni, darbarīku un akumulatora kasetni turiet cieši. Ja darbarīku un akumulatora kasetni netur cieši, tie var izkrist no rokām un radīt bojājumus darbarīkam un akumulatora kasetnei, kā arī izraisīt ievainojumus.

- **Att.1:** 1. Sarkanās krāsas indikators 2. Poga 3. Akumulatora kasetne

Lai izņemtu akumulatora kasetni, izvelciet to no darbarīka, pārbīdot kasetnes priekšpusē esošo pogu.

Lai uzstādītu akumulatora kasetni, salāgojiet mēlīti uz akumulatora kasetnes ar rienu ietvarā un iebīdiet to vietā. Ievietojiet to līdz galam, līdz tas ar klikšķi nofiksējas. Ja pogas augšējā daļā redzams sarkanās krāsas indikators, tas nozīmē, ka tā nav pilnīgi fiksēta.

⚠UZMANĪBU: Vienmēr ievietojiet akumulatora kasetni tā, lai sarkanais indikators nebūtu redzams. Pretējā gadījumā tā var nejauši izkrist no darbarīka un izraisīt jums vai apkārtējiem traumas.

⚠UZMANĪBU: Neievietojiet akumulatora kasetni ar spēku. Ja kasetne neslīd ietvarā viegli, tā nav pareizi ielikta.

Darbarīka/akumulatora aizsardzības sistēma

Darbarīks ir aprīkots ar darbarīka/akumulatora aizsardzības sistēmu. Šī sistēma automātiski izslēdz jaudas padevi motoram, lai pagarinātu darbarīka un akumulatora kalpošanas laiku.

Darbarīks automātiski pārstās darboties, ja darbarīku vai akumulatoru pakļaus kādam no tālāk minētajiem apstākļiem. Noteiktās situācijās iedegas indikators.

- **Att.2:** 1. Gaismas indikators

Aizsardzība pret pārslodzi

Ja darbarīks tiek lietots tā, ka tam tiek pievadīta pārmērīgi liela strāva, darbarīks automātiski pārstāj darboties un aptuveni 60 sekundes mirgo indikators. Šādā gadījumā izslēdziet darbarīku un pārtrauciet darbību, kas izraisīja pārslodzi. Pēc tam izslēdziet darbarīku, lai atsāktu darbu.

Aizsardzība pret pārkaršanu

Kad darbarīks/akumulators ir pārkaršis, darbarīks automātiski pārstāj darboties un apmēram 60 sekundes deg akumulatora indikators. Darbarīks nesāk darboties pat tad, ja mēģināt to ieslēgt. Šādā gadījumā ļaujiet akumulatoram atdzist pirms atkārtotas darbarīka ieslēgšanas.

Aizsardzība pret akumulatora pārmērīgu izlādi

Kad atlikusi akumulatora jauda ir zema, sāk mirgot indikators. Ja darbarīku turpina lietot, tas pārstāj darboties, un apmēram 60 sekundes deg indikators. Ja ieslēgsit darbarīku, motors vēlreiz sāks darboties, taču drīz apstāsies. Šādā gadījumā uzlādējiet akumulatora kasetni.









PIEZĪME: Indikatora iedegšanās laiks ir atkarīgs no temperatūras darba vietā un akumulatora kasetnes stāvokļa.

Atlikušās akumulatora jaudas indikators

Tikai akumulatora kasetnēm ar indikatoru

► **Att.3:** 1. Indikatora lampas 2. Pārbaudes poga

Nospiediet akumulatora kasetnes pārbaudes pogu, lai pārbaudītu akumulatora atlikušo uzlādes līmeni. Indikatori iedegsies uz dažām sekundēm.

Indikatora lampas		Atlikusī jauda
lededzies	izslēgts	
		No 75% līdz 100%
		No 50% līdz 75%
		No 25% līdz 50%
		No 0% līdz 25%

PIEZĪME: Reālā jauda var nedaudz atšķirties no norādītās atkarībā no lietošanas apstākļiem un apkārtējās temperatūras.

Slēdža darbība

► **Att.4:** 1. Ieslēgšanas/ātruma maiņas poga
2. Izslēgšanas poga

Lai ieslēgtu tīrītāju, nospiediet ieslēgšanas/ātruma maiņas pogu. Lai izslēgtu tīrītāju, nospiediet izslēgšanas pogu. Tīrītāja darbības ātrumu var mainīt trīs režimos, nospiežot ieslēgšanas/ātruma maiņas pogu. Pirmā šīs pogas nospiešana iestata liela ātruma režīmu, otrā — maks. darbības ātruma režīmu, bet, nospiežot šo pogu trešo reizi, tiks iestāts parastās darbības režīms. Katra šīs pogas nospiešana pārslēdz liela/maks./parasta ātruma režīmu norādītajā secībā.

MONTĀŽA

▲UZMANĪBU: Pirms darbarīka regulēšanas vai apkopes vienmēr pārliecinieties, ka darbarīks ir izslēgts un akumulatora kasetne ir izņemta.

Putekļu maiss un papīra filtrs

Pirms tīrītāja lietošanas uzstādiet putekļu maisu vai papīra filtru. Kad uzstādāt putekļu maisu vai papīra filtru, izmantojiet putekļu aizturi. Putekļu maisu pēc iztīrīšanas var izmantot atkārtoti. Papīra filtrs ir vienreiz lietojams. Kad papīra filtrs ir pilns, izmetiet to neiztukšotu.

IEVĒRĪBAI: Lai putekļi neiekļūtu motorā, rīkojieties pēc šiem norādījumiem.

- Pirms lietošanas pārliecinieties, ka ir uzstādīts putekļu maiss vai papīra filtrs.
- Uzstādot putekļu aizturi kopā ar putekļu maisu vai papīra filtru, atverēs to ievietojiet līdz galam.
- Nelietojiet bojātu vai saplēstu filtra maisu.

Lietojot bojātu maisu, var sabojāt motoru.

IEVĒRĪBAI: Uzstādot papīra filtru, nesalokiet kartonu pie tā atveres.

IEVĒRĪBAI: Neizmetiet putekļu aizturi, jo tas jāizmanto vienmēr, kad tiek lietots putekļu maiss vai papīra filtrs.

IEVĒRĪBAI: Papīra filtrs ir svarīga tīrītāja sastāvdaļa, kas nepieciešama darbarīka veikspējai. Ja izmantosit neoriģinālo papīra filtru, ierīce var dūmot vai aizdegties.

Putekļu maisa uzstādīšana

Uzstādot putekļu maisu, izmantojiet putekļu aizturi. Uzmanieties, lai kļūdas dēļ nesajauktu apakšpusi ar augšpusi, jo tās atšķiras viena no otras.

► **Att.5:** 1. Putekļu aiztura augšpuse 2. Putekļu aiztura apakšpuse

1. Putekļu maisa izvirdījumu ievietojiet putekļu aiztura rievā, kā parādīts attēlā.

Putekļu maisam nav augšpuses vai apakšpuses. Jūs putekļu aiztura rievā varat ievietot jebkuru putekļu maisa izvirdījumu.

► **Att.6:** 1. Putekļu aizturs 2. Rieva 3. Putekļu maiss

2. Pāri putekļu aiztura ietvaram uzlieciet putekļu maisa ietvaru.

► **Att.7**

3. Putekļu aizturi ar putekļu maisu tīrītāja nodalījumā ielieciet tādā pašā bultiņas virzienā, kāds norādīts uz putekļu aiztura. Šīs detaļas līdz galam ievietojiet tīrītāja nodalījuma atverēs.

► **Att.8:** 1. Atvere

4. Visu putekļu maisa auduma daļu ievietojiet tīrītājā.

► **Att.9**

5. Pilnībā aizveriet putekļu nodalījuma pārsegu.

► **Att.10:** 1. Putekļu nodalījuma pārsegs

PIEZĪME: Ja tīrītājā nav ievietots putekļu maiss, nevar pilnībā aizvērt putekļu nodalījuma pārsegu.

Papīra filtra uzstādīšana

Putekļu aizturi izmantojiet arī tad, kad liekat papīra filtru. Uzmanieties, lai kūlīdas dēļ nesajauktu apakšpusi ar augšpusi, jo tās atšķiras viena no otras.

► **Att.11:** 1. Putekļu aiztura augšpuse 2. Putekļu aiztura apakšpuse

1. Pirms papīra filtra uzstādīšanas uz putekļu aiztura atveriet papīra filtra ieeju.

► **Att.12**

2. Papīra filtra izvirkājumu ievietojiet putekļu aiztura rievā, kā parādīts attēlā.

Papīra filtram nav augšpuses vai apakšpuses. Jūs putekļu aiztura rievā varat ievietot jebkuru putekļu maisa izvirkājumu.

► **Att.13:** 1. Putekļu aizturis 2. Rieva 3. Papīra filtrs

3. Putekļu aiztura ietvaru uzlieciet pāri papīra filtra ietvaram.

► **Att.14**

4. Putekļu aizturi ar papīra filtru tīrītāja nodalījumā ielieciet tādā pašā bultiņas virzienā, kāds norādīts uz putekļu aiztura. Šīs detaļas līdz galam ievietojiet tīrītāja nodalījuma atverēs.

► **Att.15:** 1. Atvere

5. Visu papīra filtra maisa daļu ievietojiet pašā ierīcē.

► **Att.16**

6. Pilnībā aizveriet putekļu nodalījuma pārsegu.

► **Att.17:** 1. Putekļu nodalījuma pārsegs

PIEZĪME: Ja putekļu sūcējā nav ievietots papīra filtrs, nevar pilnībā aizvērt putekļu nodalījuma pārsegu.

Plecu siksnas pievienošana

⚠UZMANĪBU: Raugieties, lai plecu siksnā neaizķertos aiz šķēršļiem apkārtējā vidē.

⚠UZMANĪBU: Raugieties, lai tīrītāja lietošanas laikā plecu siksnā nenoslīdētu no pleca. Lai tīrītāju būtu ērtāk lietot, plecu siksnu ieteicams novietot krusteniski pāri krūtīm.

Pievienojiet pleca siksnas āķus uz putekļsūcēja stiprinājumiem, kā norādīts attēlā.

► **Att.18:** 1. Pleca siksnā 2. Āķis 3. Stiprinājums

PIEZĪME: Varat pievienot pleca siksnu pie mīkstās somas (izvēles aksesuārs), kā parādīts.

► **Att.19**

EKSPLUATĀCIJA

⚠UZMANĪBU: Pārnēsājot tīrītāju, vienmēr satveriet to aiz roktura. Ja pārnēsāšanas laikā turēsiet ierīces piederumus, tie var atvienoties no tīrītāja, izraisot traumas.

⚠UZMANĪBU: Nesatveriet šļūtenes savienojumvieta, kā parādīts attēlā. Šādi satverot šļūtenes savienojumvieta, var tikt iespiesti pirksti.

► **Att.20:** 1. Šļūtenes savienojumvieta

Izmantojot kā putekļu sūcēju

PIEZĪME: Pirms putekļu sūkšanas noņemiet pūtēja piederumu. Ja pūtēja piederums ir pievienots putekļu sūcējam, tiek samazināta sūkšanas jauda.

Tīrītāja piederumu uzstādīšana vai noņemšana

Lai pievienotu piederumu, piemēram, uzgali, pagrieziet to un stingri piestipriniet pie šļūtenes. Lai atvienotu piederumu, pagrieziet un noņemiet to.

Uzstādīšanas veids atkarīgs no uzgaļa veida (kā parādīts attēlā).

► **Att.21:** 1. Šļūtene 2. Gumijas uzgālis 3. Mīkstā suka 4. Sēdekļu uzgālis 5. Paklāju uzgālis

Putekļu sūkšana

Gumijas uzgālis

Ar šo uzgali var ērti iztīrīt apakšējos stūrus, piemēram, automašīnas durvju glabāšanas nodalījumā. Gumijas uzgālis saudzē tīrāmo virsmu.

► **Att.22:** 1. Gumijas uzgālis

Mīkstā suka

Ar šo uzgali var ērti tīrīt gaisa kondicionētāja atveres, mērīinstrumentu paneli utt. Mīkstās sukas galviņu var pagriezt vajadzīgajā leņķī.

► **Att.23:** 1. Mīkstā suka

Sēdekļu uzgālis

Šim uzgālim ir plūksnu suka sēdekļu virsmu tīrīšanai. Sānu suku var ērti izmantot, lai iztīrītu putekļus no salaiduma vietām.

► **Att.24:** 1. Sēdekļu uzgālis 2. Sānu suka

Paklāju uzgālis

Šo uzgali izmanto grīdas seguma un paklāju tīrīšanai. Šis uzgālis aprīkots ar zobīņiem, kas palīdz iztīrīt smilšu graudus.

► **Att.25:** 1. Paklāju uzgālis

Tīrīšana bez uzgaļa

Tīrīšanu var veikt arī bez uzgaļa.

► **Att.26**

Atbrīvošanās no putekļiem

⚠UZMANĪBU: Iztukšojiet putekļu maisu vai nomainiet papīra filtru, vēl pirms tas ir pilns. Citādi mazinās sūkšanas jauda.

⚠UZMANĪBU: Aizverot putekļu nodalījuma pārsegu, uzmanieties, lai neiespiestu pirkstus.

IEVĒRĪBAI: Nekādā gadījumā neizmetiet putekļu aizturi, jo tas jāizmanto vienmēr, kad tiek lietots putekļu maiss vai papīra filtrs.

IEVĒRĪBAI: Ja putekļu sūcējā nav ievietots putekļu maiss/papīra filtrs, nevar pilnībā aizvērt putekļu nodalījuma pārsegu. Nemēģiniet putekļu nodalījuma pārsegu aizvērt ar spēku. Šādi var deformēt vai salauzt darbarīku.

IEVĒRĪBAI: Kad atbrīvojaties no putekļiem, neaizmirstiet iztīrīt arī putekļu maisa/papīra filtra nodalījumu. Nodalījumā palikušie putekļi var izraisīt sūkļa filtra aizsprostošanos vai motora bojājumus.

1. Atveriet putekļu nodalījuma pārsegu.
▶ **Att.27:** 1. Putekļu nodalījuma pārsegs
2. Vienlaikus izvelciet gan oranžo putekļu aizturi, gan putekļu maisu/papīra filtru.
▶ **Att.28:** 1. Putekļu aizturi

3. Izmantojot putekļu maisu
Izņemiet putekļu aizturi un iztukšojiet putekļu maisu.
▶ **Att.29:** 1. Putekļu aizturi 2. Putekļu maiss

Izmantojot papīra filtru
Izņemiet putekļu aizturi un atbrīvojieties no papīra filtra.
▶ **Att.30:** 1. Putekļu aizturi 2. Papīra filtrs

4. Tīrītājā kopā ievietojiet putekļu maisu/papīra filtru un putekļu aizturi un aizveriet putekļu nodalījuma pārsegu.

Izmantojot kā pūtēju

⚠UZMANĪBU: Nekādā gadījumā nevērsiet sprauslu pret kādu tuvumā.

⚠UZMANĪBU: Neizmantojiet tīrītāju, lai iepūstu gaisu dažādos priekšmetos, piemēram, gumijas laivās, bumbās vai citos piepūšamos izstrādājumos. Paātrinātā motora darbība var izraisīt bīstamu ventilatora salūšanu.

Pūšanas piederuma uzstādīšana vai noņemšana

Lai piestiprinātu pūšanas piederumu, savietojiet pūtēja piederuma savienojumvietas izvirzījumu ar iedobi pie ventilatora un spiediet to, līdz dzirdams klikšķis.

▶ **Att.31:** 1. Pūtēja piederums

Lai atvienotu pūtēja piederumu, velciet tā savienojumvietu, vienlaikus spiežot uz leju tās augšdaļu, kā parādīts attēlā.

▶ **Att.32**

Pūšana

Pavērsiet pūtēja piederuma galu pret priekšmetu, ko gribat appūst, un ieslēdziet darbarīku.

▶ **Att.33**

APKOPE

⚠UZMANĪBU: Pirms darbarīka pārbaudes vai apkopes vienmēr pārliecinieties, ka darbarīks ir izslēgts un akumulatora kasetne ir izņemta.

IEVĒRĪBAI: Nekad neizmantojiet gazolīnu, benzīnu, atšķaidītāju, spirtu vai līdzīgus šķidrums. Tas var radīt izbalēšanu, deformāciju vai plaisas.

Lai saglabātu izstrādājuma DROŠU un UZTICAMU darbību, remontdarbus, apkopi un regulēšanu uzticiet veikt tikai Makita pilnvarotam vai rūpnīcas apkopes centram, un vienmēr izmantojiet tikai Makita rezerves daļas.

Tīrīšana

Tīrītāja ārpusi (korpusu) ik pa laikam notīriet ar ziepju ūdenī samitrinātu drānu.

Iztīriet arī iesūces atveri, putekļu maisa/papīra filtra stiprinājuma vietu un putekļu aizturi.

▶ **Att.34**

Izmazgājiet ziepju ūdenī putekļu maisu, kad tas ir aizsprostojies un tīrītāja jauda pasliktinās. Pirms lietošanas rūpīgi nožāvējiet. Nepietiekami nožāvēts filtrs var pasliktināt iesūci un saīsināt motora darbību.

▶ **Att.35**

PIEZĪME: Papīra filtrs ir vienreiz lietojams.

Ja sūkļa filtrs ir aizsērējis ar putekļiem, izņemiet to no tīrītāja un izslaukiet vai izmazgājiet ūdenī.

Sūkļa filtra izņemšana un uzstādīšana

⚠UZMANĪBU: Pēc sūkļa filtra iztīrīšanas neaizmirstiet ievietot tīrītājā. Ja filtru mazgājāt ūdenī, pirms ievietošanas nosusiniet to. Ja sūkļa filtrs nav pietiekami sauss, var saīsināties motora darbību.

Lai izņemtu sūkļa filtru, izņemiet putekļu maisu vai papīra filtru, tad saspiediet to un izņemiet.

▶ **Att.36:** 1. Sūkļa filtrs

Visu sūkļa filtra malu piespiediet pret iedziļināto sienu putekļu maisa/papīra filtra stiprinājuma vietā.

▶ **Att.37:** 1. Iedziļinātā siena

Glabāšana

⚠BRĪDINĀJUMS: Nekad neatstājiet akumulatora kasetni un lādētāju automašīnā. Temperatūra saulē atstātā automašīnā var pārsniegt 50 °C (122 °F). Šādā vidē akumulatora kasetnes stāvoklis var pasliktināties, izraisot šķidruma noplūdes, dūmu rašanos vai aizdegšanos.

▶ **Att.38**

⚠BRĪDINĀJUMS: Nekad neizmantojiet lādētāju glabāšanas somā. Gaisa izplūdes vietu nobloķēšana var izraisīt dūmu rašanos vai aizdegšanos.

▶ **Att.39**

▲BRĪDINĀJUMS: Akumulatora kasetnes lādēšanai nekad neizmantojiet automašīnas invertoru. Tas var izraisīt neparedzētu uzkaršanu un aizdegšanos.

▲BRĪDINĀJUMS: Nekad nelādējiet akumulatora kasetni automašīnā. Ja akumulatora kasetne tiek pakļauta temperatūrai ārpus noteiktā diapazona (10–40 °C (50–104 °F)), tā var neparedzēti uzkarst un/vai aizdegties vai eksplodēt.

▲UZMANĪBU: Kad tīrītājs netiek izmantots, glabājiet šļūteni, kā parādīts attēlā, lai aiz tās neaizķertos.

Izritināta šļūtene var sapīties kājās, izraisot negadījumus.

► **Att.40:** 1. Āķis 2. Šļūtene

Kļūmju novēršana

Pirms vienoties par ierīces remontu, izvērtējiet šādas iespējas.

Pazīme	Pārbaudāmā daļa	Risinājums
Maza iesūces jauda	Vai putekļu maiss vai papīra filtrs nav pilns ar putekļiem?	Iztukšojiet putekļu maisu vai papīra filtru.
	Vai putekļu maiss nav aizsērējis?	Putekļu maisu attīriet no putekļiem vai izmazgājiet.
	Vai papīra filtrs nav aizsērējis?	Nomainiet papīra filtru.
	Vai nav izlādējies akumulators?	Uzlādējiet akumulatora kasetni.
Nedarbojas	Vai nav izlādējies akumulators?	Uzlādējiet akumulatora kasetni.
Putekļu nodalījuma pārsegu nevar aizvērt	Vai putekļu maiss vai papīra filtrs ir ievietots?	Ievietojiet putekļu maisu vai papīra filtru.

PIEZĪME: Nemēģiniet patstāvīgi remontēt tīrītāju.

PAPILDU PIEDERUMI

▲UZMANĪBU: Šādi piederumi un papildierīces tiek ieteiktas lietošanai ar šajā rokasgrāmatā aprakstīto Makita darbarīku. Izmantojot citus piederumus vai papildierīces, var tikt radīta trauma gūšanas bīstamība. Piederumu vai papildierīci izmantojiet tikai paredzētajam mērķim.

Ja jums vajadzīga palīdzība vai precīzāka informācija par šiem piederumiem, vērsieties savā tuvākajā Makita apkopes centrā.

- Pagarinājuma caurule (taisna caurule)
- Uzgalis
- Uzgalis paklājam
- Plauktu suka
- Stūru uzgalis
- Apaļā suka
- Lokanā šļūtene
- Papīra filtrs
- Brīvais uzgalis
- Stiprinājuma uzgalis
- Spraugu uzgalis
- Piederums "Cyclone"
- Putekļu maiss
- Putekļu maiss uzlabotam sniegunam
- Mīkstā soma
- Makita oriģinālais akumulators un lādētājs

PIEZĪME: Daži sarakstā norādītie izstrādājumi var būt iekļauti instrumenta komplektācijā kā standarta piederumi. Tie dažādās valstīs var būt atšķirīgi.

ĮSPĖJIMAS

Šį prietaisą leidžiama naudoti vaikams nuo 8 metų amžiaus ir asmenims, turintiems psichinių, jutiminių ar protinių negalių, arba žmonėms, neturintiems patirties bei žinių, su sąlyga, kad jie bus prižiūrimi arba instruktuojami apie tai, kaip saugiai naudoti šį prietaisą, ir supras atitinkamus pavojus. Neleiskite vaikams žaisti su šiuo prietaisu. Be suaugusiųjų priežiūros vaikams draudžiama valyti ir techniškai prižiūrėti šį prietaisą.

SPECIFIKACIJOS

Modelis:		CL121D
Pajėgumas	su dulkių maišeliu	500 mL
	su popieriniu filtru	330 mL
Nepertraukiamas naudojimas (su akumuliatoriumi BL1016)	1 (įprasto greičio režimas)	Maždaug 25 min.
	2 (didelio greičio režimas)	Maždaug 12 min.
	3 (maksimalaus greičio režimas)	Maždaug 10 min.
Bendras ilgis (su akumuliatoriumi BL1016)		345 mm
Vardinė įtampa		Nuolatinė srovė 10,8 V – 12 V (daugiausiai)
Grynasis svoris		1,7–1,8 kg

- Atliekame tęsinius tyrimus ir nuolatos tobuliname savo gaminius, todėl čia pateikiamos specifikacijos gali būti keičiamos be įspėjimo.
- Skirtingose šalyse specifikacijos gali skirtis.
- Svoris nurodytas be priedų, tačiau įskaičiuojant akumuliatoriaus kasetę (-es). Mažiausias ir didžiausias prietaiso ir akumuliatoriaus kasetės (-ių) svoris nurodyti lentelėje.

Tinkama akumuliatoriaus kasetė ir (arba) įkroviklis

Akumuliatoriaus kasetė	BL1015 / BL1016 / BL1020B / BL1021B / BL1040B / BL1041B
Įkroviklis	DC10SA / DC10SB / DC10WC / DC10WD / DC18RE

- Atsižvelgiant į gyvenamosios vietos regioną, kai kurios pirmiau nurodytos akumuliatoriaus kasetės ir įkrovikliai gali būti neprieinami.

ĮSPĖJIMAS: Naudokite tik akumuliatoriaus kasetes ir įkroviklius, kurie nurodyti anksčiau. Naudojant bet kurias kitas akumuliatoriaus kasetes ir įkroviklius, gali kilti sužeidimo ir gaisro pavojus.

Simboliai

Toliau yra nurodyti įrangai naudojami simboliai. Prieš naudodami įsitikinkite, ar suprantate jų reikšmę.



Perskaitykite instrukcijų vadovą.



Nurodymas tik ES šalims
Neišmeskite elektros įrangos arba akumuliatoriaus bloko į buitinius šiukšlynus! Atsižvelgiant į ES direktyvas dėl elektros ir elektroninės įrangos atliekų, dėl baterijų ir akumuliatorių bei baterijų ir akumuliatorių atliekų ir šių direktyvų siekių įgyvendinimą pagal nacionalinius įstatymus, elektros įrangos ir baterijų bei akumuliatorių atliekas būtina surinkti atskirai nuo kitų buitinių atliekų ir atiduoti į antrinių žaliavų perdirbimo aplinkai nekenksmingu būdu punktą.

Numatytoji naudojimo paskirtis

Šis įrankis skirtas sausoms dulkėms surinkti.

SAUGOS ĮSPĖJIMAI

Saugos įspėjimai dėl belaidžio siurblio naudojimo

▲ ĮSPĖJIMAS: SVARBU: PRIEŠ PRADĖDAMI NAUDOTI, ATIDŽIAI PERSKAITYKITE visus saugos įspėjimus ir nurodymus. Nesilaikydami toliau pateiktų įspėjimų ir instrukcijų, galite patirti elektros smūgį, gaisrą ir (arba) sunkų sužeidimą.

1. Saugokite įrankį nuo lietaus. Laikykite įrankį patalpoje.
2. Neleiskite vaikams naudoti šį gaminį kaip žaislą. Būtinai atidžiai stebėti šį gaminį naudojančius vaikus arba jį naudojant šalia vaikų.
3. Naudokite tik taip, kaip aprašyta šiame vadove. Naudokite tik gamintojo rekomenduojamus priedus.
4. Nenaudokite su sugadintu akumuliatoriumi. Jeigu prietaisas veikia netinkamai, buvo numestas, pažeistas, paliktas lauke arba įkritęs į vandenį, atiduokite jį į techninės priežiūros centrą.
5. Nenaudokite prietaiso, jeigu jūs rankos drėgnos.
6. Nekiškite jokių daiktų į angas. Nenaudokite, jeigu kuri nors anga yra užkimšta; angose neturi būti dulkių, pūkelių, plaukų ir jokių kitų daiktų, kurie galėtų sutrikdyti oro srautą.
7. Plaukus, laisvus drabužius, pirštus ir kitas kūno dalis laikykite kuo toliau nuo angų ir judamųjų dalių.
8. Prieš išimdami akumuliatorių, išjunkite visus valdiklius.
9. Būkite itin atsargūs, valydami laiptus.
10. Nenaudokite degiems arba sprogiems skysčiams, pavyzdžiui, gazolinui, surinkti ir nenaudokite tose vietose, kuriose gali būti šių medžiagų.
11. Kraukite tik gamintojo pateiktu krovikliu.
12. Nesiurbkite jokių degančių arba rūkstančių daiktų, pavyzdžiui, cigarečių, degtukų arba karštų pelenų.
13. Nenaudokite neįdėję dulkių maišelio ir (arba) filtrų.
14. Nekraukite akumuliatoriaus lauke.
15. Įkraukite naudodami tik gamintojo nurodytą įkroviklį. Įkroviklis, kuris tinka vienam akumuliatorių tipui įkrauti, gali kelti gaisro pavojų, jei bus naudojamas su kitų tipų akumuliatoriais.
16. Elektrinius įrankius naudokite tik su specialiai jiems skirtais akumuliatoriais. Naudojant bet kurį kitą akumuliatorių, gali kilti sužeidimo ir gaisro pavojus.
17. Kai akumuliatorių blokas nėra naudojamas, laikykite jį toliau nuo kitų metalinių daiktų, pavyzdžiui, popieriaus sąvaržėlių, monetų, raktų, vinių, varžtų ir kitų mažų metalinių daiktų, dėl kurių gali kilti trumpasis jungimas tarp kontaktų.
18. Netinkamai naudojant iš akumuliatoriaus gali ištekėti skysčio. Venkite sąlyčio su juo. Jei sąlytis atsitiktinai įvyko, gausiai nuplaukite vandeniu.
19. Nenaudokite sugadinto ar modifikuoto akumuliatoriaus arba įrankio. Sugadinti arba modifikuoti akumuliatoriai gali veikti neįprastai, todėl gali kilti gaisras, sprogimas arba sužalojimo rizika.

20. Saugokite akumuliatorių arba įrankį nuo ugnies ar pernelyg aukštos temperatūros. Dėl ugnies ar 130 °C viršijančios temperatūros gali kilti sprogimas.
21. Laikykitės visų įkrovimo nurodymų ir nekraukite akumuliatoriaus ar įrankio, kai temperatūra neatitinka nurodymuose pateikto temperatūros intervalo. Netinkamai įkraunant arba įkraunant esant kitam nei nustatytas temperatūros intervalui, gali būti sugadintas akumuliatorius ar padidėti gaisro rizika.

SAUGOKITE ŠIAS INSTRUKCIJAS.

PAPILDOMOS SAUGOS TAISYKLĖS

Šis prietaisas skirtas naudoti tik namų ūkyje.

1. Prieš naudodami įrankį pirmą kartą, įdėmiai perskaitykite šias ir įkroviklio vartotojo instrukcijas.
2. Nesiurbkite šių medžiagų:
 - Karštų medžiagų, pavyzdžiui, degančių cigarečių arba kibirkščių / metalo dulkių, susidariusių šlifuojant / pjaunant metalą
 - Degių medžiagų, pavyzdžiui, gazolino, skiediklio, benzino, žibalo arba dažų
 - Sprogių medžiagų, pavyzdžiui, nitroglicerino
 - Degių medžiagų, pavyzdžiui, aliuminio, cinko, magnio, titano, fosforo arba celiulioido
 - Šlapio purvo, vandens, alyvos, tepalo arba panašių medžiagų
 - Kietų daiktų aštriais kraštais, pavyzdžiui, medžio skiedrų, metalų, akmenų, stiklų, vinių, smeigtukų arba skutimo peiliukų
 - Miltelių, kurie gali sukietėti, pavyzdžiui, cemento arba spausdintuvų dažų
 - Laidžių dulkių, pavyzdžiui, metalo arba anglies
 - Smulkiai dalelių, pavyzdžiui, betono dulkiųTokie veiksmai gali sukelti gaisrą, sužeisti ir (arba) padaryti žalos turtui.

3. Pastebėję ką nors neįprasto, tučiuojau nutraukite darbą.
4. Jei numesite ar sutrenksite siurbį, prieš naudojimą atidžiai patikrinkite, ar jis neįskilo ir nesugedo.
5. Nenaudokite įrankio arti viryklės ar kitų šilumos šaltinių.
6. Neuzblokuokite įsiurbimo ar ventilacijos angų.

SAUGOKITE ŠIAS INSTRUKCIJAS.

Svarbios saugos instrukcijos, taikomos akumuliatoriaus kasetei

1. Prieš naudodami akumuliatoriaus kasetę, perskaitykite visas instrukcijas ir perspėjimus ant (1) akumuliatorių įkroviklio, (2) akumuliatorių ir (3) akumuliatorių naudojančio gaminio.
2. Nearydinkite akumuliatoriaus kasetės.
3. Jei įrankio darbo laikas žymiai sutrumpėjo, nedelsdami nutraukite darbą su įrankiu. Tai gali kelti perkaitimo, nudegimų ar net sprogimo pavojų.

4. Jei elektrolitas pateko į akis, plaukite jas tyru vandeniu ir nedelsdami kreipkitės į gydytoją. Gali kilti regėjimo praradimo pavojus.
5. Neužtrumpinkite akumuliatoriaus kasėtės:
 - (1) Nelieskite kontaktų degiomis medžiagomis.
 - (2) Venkite laikyti akumuliatoriaus kasetę kartu su kitais metaliniais daiktais, pavyzdžiui, vinimis, monetomis ir pan.
 - (3) Saugokite akumuliatoriaus kasetę nuo vandens ir lietaus.

Trumpasis jungimas akumuliatoriuje gali sukelti stiprią srovę, perkaitimą, galimus nudegimus ar net akumuliatoriaus gedimą.

6. Nelaikykite įrankio ir akumuliatoriaus kasėtės vietoje, kur temperatūra gali pasiekti ar viršyti 50 °C.
7. Nedeginkite akumuliatoriaus kasėtės, net jei yra stipriai pažeista ar visiškai susidėvėjusi. Ugnyje akumuliatoriaus kasetė gali sprogti.
8. Saugokite akumuliatorių nuo kritimo ir smūgių.
9. Nenaudokite pažeisto akumuliatoriaus.
10. Įdėtomis ličio jonų akumuliatoriams taikomi Pavojų prekių teisės akto reikalavimai. Komeracinis transportas, pvz., trečiųjų šalių, prekių vežimo atstovų, turi laikytis specialaus reikalavimo ant pakuotės ir ženklavimo. Norėdami paruošti siųstiną prekę, pasitarkite su pavojų medžiagų specialistu. Be to, laikytis galimai išsamesnių nacionalinių reglamentų. Užklijuokite juosta arba padenkite atvirus kontaktus ir supakuokite akumuliatorių taip, kad ji pakuotėje nejudėtų.
11. Vadovaukitės vietos įstatymais dėl akumuliatorių išmetimo.
12. Baterijas naudokite tik su „Makita“ nurodytais gaminiais. Baterijas įdėjus į netinkamus gaminius gali kilti gaisras, gaminyje pernelyg kaisti, kilti sprogdimas arba pratekėti elektrolitas.

SAUGOKITE ŠIAS INSTRUKCIJAS.

⚠ PERSPĖJIMAS: Naudokite tik originalų „Makita“ akumuliatorių. Neoriginalaus „Makita“ arba pakeisto akumuliatoriaus naudojimas gali nulemti gaisrą, asmens sužalojimą ir pažeidimą. Tai taip pat panaikina „Makita“ suteikiamą „Makita“ įrankio ir įkroviklio garantiją.

Patarimai, ką daryti, kad akumuliatorius veiktų kuo ilgiau

1. Pakraukite akumuliatoriaus kasetę prieš ją visiškai išsikraunant. Visuomet nustokite naudoti įrankį ir pakraukite akumuliatoriaus kasetę, kai pastebite, kad įrankio galia sumažėjo.
2. Niekada nekraukite iki galo įkrautos akumuliatoriaus kasėtės. Perkraunant trumpėja akumuliatoriaus eksploatacijos laikas.
3. Akumuliatoriaus kasetę kraukite esant kambario temperatūrai 10 - 40 °C. Prieš pradėdami krauti, leiskite įkaitusiai akumuliatoriaus kasetei atvėsti.

VEIKIMO APRAŠYMAS

⚠ PERSPĖJIMAS: Prieš pradėdami reguliuoti arba tikrinti įrankio veikimą, visuomet būtinai išjunkite įrankį ir išimkite akumuliatoriaus kasetę.

⚠ PERSPĖJIMAS: Įkraudami akumuliatorių, būkite atsargūs, kad jūsų pirštas (-ai) neužstrigtų tarp siurblio ir akumuliatoriaus. Įstrigus pirštui (-ams), galite susižeisti.

Akumuliatoriaus kasėtės uždėjimas ir nuėmimas

⚠ PERSPĖJIMAS: Prieš įdėdami arba išimdami akumuliatoriaus kasetę, visada išjunkite įrankį.

⚠ PERSPĖJIMAS: Įdėdami arba išimdami akumuliatoriaus kasetę, tvirtai laikykite įrankį ir akumuliatoriaus kasetę. Jeigu įrankį ir akumuliatoriaus kasetę laikysite netvirtai, jie gali išslysti iš jūsų rankų, todėl įrankis ir akumuliatoriaus kasetė gali būti sugadinti, o naudotojas sužalotas.

► **Pav.1:** 1. Raudonas indikatorius 2. Mygtukas 3. Akumuliatoriaus kasetė

Jei norite išimti akumuliatoriaus kasetę, ištraukite ją iš įrankio, stumdami mygtuką, esantį kasėtės priekyje.

Jei norite įdėti akumuliatoriaus kasetę, sulygiuokite liežuvelį ant akumuliatoriaus kasėtės su grioveliu korpuse ir įstumkite į jai skirtą vietą. Įdėkite iki galo, kol spragtelėdama užsifiksuos. Jeigu matote raudoną indikatorius viršutinėje mygtuko pusėje, ji nėra visiškai užfiksuota.

⚠ PERSPĖJIMAS: Akumuliatoriaus kasetę visada įkiškite iki galo, kol nebematysite raudono indikatorius. Priešingu atveju ji gali atsitiktinai iškristi iš įrankio, sužeistį jus arba aplinkinius.

⚠ PERSPĖJIMAS: Nekiškite akumuliatoriaus kasėtės jėga. Jeigu kasetė sunkiai lenda, ją kišate netinkamai.

Įrankio / akumuliatoriaus apsaugos sistema

Įrankyje įrengta įrankio / akumuliatoriaus apsaugos sistema. Ši sistema automatiškai atjungia variklio maitinimą, kad įrankis ir akumuliatorius ilgiau tarnautų. Įrankis automatiškai išsijungs darbo metu esant vienai iš toliau nurodytų įrankio arba akumuliatoriaus darbo sąlygų. Esant tam tikroms sąlygoms užsidega indikacinė lemputė.

► **Pav.2:** 1. Indikacinė lemputė

Apsauga nuo perkrovos

Kai įrankis naudojamas taip, kad neįprastai padidėja elektros srovė, įrankis automatiškai išsijungia ir maždaug 60 sekundžių žybuoja indikatorius. Tokiu atveju išjunkite įrankį ir nutraukite darbą, dėl kurio kilo įrankio perkrova. Tada vėl įjunkite įrankį.

Apsauga nuo perkaitimo

Jeigu įrankis / akumulatorius perkaista, įrankis automatiškai išsijungia ir maždaug 60 sekundžių šviečia akumulatoriaus indikatorius. Bandant įjungti įrankį, jis neįsijungia. Tokiu atveju palaukite, kol akumulatorius atvės, paskui vėl galite įjungti įrankį.

Apsauga nuo visiško išsikrovimo

Kai likusi akumulatoriaus galia pradeda sekti, pradeda žybcuoti indikatorius. Toliau naudojant įrankį, įrankis išsijungia ir maždaug 60 sekundžių šviečia indikatorius. Įjungus įrankį, variklis pradeda veikti, bet netrukus vėl išsijungia. Tokiu atveju įkraukite akumulatoriaus kasetę.









PASTABA: Laikas, kuriam praėjus lemputė dega pastoviai, priklauso nuo darbo vietoje esančios temperatūros ir akumulatoriaus kasetės būklės.

Likusios akumulatoriaus galios rodymas

Tik akumulatoriaus kasetėms su indikatoriumi

► **Pav.3:** 1. Indikatorius lemputės 2. Tikrinimo mygtukas

Paspauskite akumulatoriaus kasetės tikrinimo mygtuką, kad būtų rodoma likusi akumulatoriaus energija. Maždaug trims sekundėms užsidegs indikatorius lemputės.

Indikatorius lemputės		Likusi galia
Šviečia	Nešviečia	
		75% - 100%
		50% - 75%
		25% - 50%
		0% - 25%

PASTABA: Rodmuo gali šiek tiek skirtis nuo faktinės energijos lygio – tai priklauso nuo naudojimo sąlygų ir aplinkos temperatūros.

Jungiklio veikimas

► **Pav.4:** 1. „ON“ (įjungti) / greičio keitimo mygtukas 2. Mygtukas „OFF“ (išjungti)

Norėdami įjungti siurbį, tiesiog paspauskite „ON“ (įjungti) / greičio keitimo mygtuką. Norėdami išjungti, paspauskite mygtuką „OFF“ (išjungti). Siurblio veikimo greitį galite keisti trimis pakopomis, paspausdami „ON“ (įjungti) / greičio keitimo mygtuką. Pirmasis šio mygtuko paspaudimas atitinka didelio greičio režimą, antrasis – maksimalaus greičio režimą, o trečiasis – įprasto greičio. Kiekvieną kartą paspaudus šį mygtuką, pakaitomis įjungiamas didelis / maksimalus / įprastas veikimo greitis.

SURINKIMAS

⚠ PERSPĖJIMAS: Prieš darydami ką nors įrankiui visada patikrinkite, ar įrenginys išjungtas, o akumulatorių kasetė – nuimta.

Dulkių maišelis ir popierinis filtras

Prieš naudodamiesi siurbliu įtaisykite dulkių maišelį ar popierinį filtrą. Įtaisydami dulkių maišelį ar popierinį filtrą naudokite ir dulkių stabdiklį. Pakartotinai išvalę dulkių maišelį, galite jį naudoti daug kartų. Popierinis filtras yra vienkartinis. Popieriniam filteriui prisipildžius, išmeskite jį neištuštinę.

PASTABA: Kad į variklį nepatektų dulkių:

- įsitikinkite, kad prieš naudojimą buvo įdėtas dulkių maišelis arba popierinis filtras.
- Tvirtindami, į angas iki pat galo įdėkite dulkių stabdiklį kartu su dulkių maišeliu ar popieriniu filteriu.
- Nenaudokite sugadinto ar suplėšyto maišelio.

Priešingu atveju variklis gali būti pažeistas.

PASTABA: Įdėdami popierinį filtrą, neuženkite kartono ties jo angą.

PASTABA: Neišmeskite dulkių stabdiklio, nes jis turi būti pakartotinai naudojamas kartu su dulkių maišeliu ar dulkių filteriu.

PASTABA: Popierinis siurblio filtras yra svarbi, įrankio veikimą palaikanti sudedamoji dalis. Naudojant ne originalų popierinį filtrą, gali kilti dūmai arba liepsna.

Dulkių maišelio uždėjimas

Įtaisydami dulkių maišelį naudokite ir dulkių stabdiklį. Būkite atidūs, nepaimkite už viršutinio krašto vietoje apatinio, nes jie skiriasi.

► **Pav.5:** 1. Dulkių stabdiklio viršutinis kraštas 2. Dulkių stabdiklio apatinis kraštas

1. Įdėkite dulkių maišelio išsikišimą į dulkių stabdiklio griovelį, kaip parodyta paveikslėlyje.

Dulkių maišelio viršutinis ir apatinis kraštai nesiskiria. Į dulkių stabdiklio griovelį galite įdėti bet kurio krašto išsikišimą.

► **Pav.6:** 1. Dulkių stabdiklis 2. Griovelis 3. Dulkių maišelis

2. Perdenkite dulkių stabdiklio rėmelį dulkių maišelio rėmeliu.

► **Pav.7**

3. Įstatykite dulkių stabdiklį ir dulkių maišelį kartu į siurblio ertmę ta pačia ant dulkių stabdiklio esančios rodyklės kryptimi. Įstatykite juos iki galo į angas, siurblio ertmėje.

► **Pav.8:** 1. Anga

4. Įdėkite visą dulkių maišelio audeklą į siurbli.

► **Pav.9**

5. Visiškai uždarykite dulkių rinktuvo dangtį.

► **Pav.10:** 1. Dulkių rinktuvo dangtis

PASTABA: Kai dulkių maišelis nėra įdėtas į siurbį, dulkių rinktuvo dangtis užsidaro nevisiškai.

Popierinio filtro įdėjimas

Įdėdami popierinį filtrą naudokite dulkių stabdiklį. Būkite atidūs, nepaimkite už viršutinio krašto vietoje apatinio, nes jie skiriasi.

► **Pav.11:** 1. Dulkių stabdiklio viršutinis kraštas
2. Dulkių stabdiklio apatinis kraštas

1. Prieš dėdami popierinį filtrą ant dulkių stabdiklio, atlenkite popierinio filtro priekį.

► **Pav.12**

2. Įdėkite popierinio filtro išsikišimą į dulkių stabdiklio griovelį, kaip parodyta paveikslėlyje.

Popierinio filtro viršutinis ir apatinis kraštai nesiskiria. Į dulkių stabdiklio griovelį galite įdėti bet kurio krašto išsikišimą.

► **Pav.13:** 1. Dulkių stabdiklis 2. Griovelis 3. Popierinis filtras

3. Perdenkite dulkių stabdiklio rėmelį popierinio filtro rėmeliu.

► **Pav.14**

4. Įstatykite dulkių stabdiklį ir popierinį filtrą į siurblio ertmę ta pačia ant dulkių stabdiklio esančios rodyklės kryptimi. Įstatykite juos iki galo į angas, siurblio ertmėje.

► **Pav.15:** 1. Anga

5. Įdėkite popierinio filtro konteinerio dalį į siurbį.

► **Pav.16**

6. Visiškai uždarykite dulkių rinktuvo dangtį.

► **Pav.17:** 1. Dulkių rinktuvo dangtis

PASTABA: Kai popierinis filtras nėra įdėtas į siurbį, dulkių rinktuvo dangtis užsidaro nevisiškai.

Perpetės diržo pritvirtinimas

▲PERSPĖJIMAS: Būkite atsargūs, kad perpetės diržas neužsikabintų už aplinkinių daiktų.

▲PERSPĖJIMAS: Būkite atsargūs, kad naudojant siurbį perpetės diržas nenuslystų nuo peties. Norint, kad siurblys būtų stabilus, rekomenduojama perpetės diržą nešioti sukryžiuotą ant krūtinės.

Kaip vaizduojama paveiksle, prie valymo įrenginio fiksatorių prikabinkite perpetės diržo kablius.

► **Pav.18:** 1. Perpetės diržas 2. Kablys 3. Fiksatorius

PASTABA: Perpetės diržą taip pat galite pritvirtinti prie minkšto maišelio (pasirenkamasis priedas), kaip parodyta.

► **Pav.19**

NAUDOJIMAS

▲PERSPĖJIMAS: Nešdami siurbį, visada jį laikykite už rankenos. Jei nešdami laikysite už prijungiamos dalies, ji gali nusimauti nuo siurblio ir sužaloti.

▲PERSPĖJIMAS: Neimkite už žarnos jungties, kaip parodyta paveiksle. Laikant už žarnos jungties galima prispausti pirštą.

► **Pav.20:** 1. Žarnos jungtis

Kai įrenginys naudojamas kaip vakuuminis valymo įrenginys

PASTABA: Prieš vakuuminį valymą nuimkite pūstuvo priedą. Jei pūstuvo priedas yra pritvirtintas prie siurblio, siurbimo galia bus prastesnė.

Siurblio priedo montavimas ir nuėmimas

Norėdami prijungti priedą, pvz., antgalį, sukite ir tvirtai įkiškite jį į žarną. Norėdami atjungti, pasukite ir jį ištraukite.

Montavimo būdas skiriasi, priklausomai nuo antgalių, kaip parodyta.

► **Pav.21:** 1. Žarna 2. Guminis antgalis 3. Minkštas šepetėlis 4. Antgalis sėdynėms 5. Antgalis kilimėliams

Vakuuminis valymas

Guminis antgalis

Šiuo antgaliu galima patogiai valyti apatinius kampus, pvz., kišenę drelėse. Guminis antgalis švelniai valo valomą paviršių.

► **Pav.22:** 1. Guminis antgalis

Minkštas šepetėlis

Šiuo antgaliu galima patogiai išvalyti oro kondicionieriaus vėdinimo angas, prietaisų skydelį ir pan. Minkšto šepetėlio galvutę galima pasukti reikiamu kampu.

► **Pav.23:** 1. Minkštas šepetėlis

Antgalis sėdynėms

Šiame antgalyje yra pūkelių šepetėlis, skirtas sėdynės paviršiui valyti. Prie antgalio pritvirtintas šoninis šepetėlis yra naudingas dulkešms iš siūlių valyti.

► **Pav.24:** 1. Antgalis sėdynėms 2. Šoninis šepetėlis

Antgalis kilimėliams

Šis antgalis yra naudojamas grindų kilimėliams ir kilimams valyti. Ant antgalio įtaisyti dantukai padeda pašalinti smėlio grūdėlius.

► **Pav.25:** 1. Antgalis kilimėliams

Valymas nenaudojant antgalio

Vakuuminį valymą galite atlikti be antgalio.

► **Pav.26**

Dulkių išmetimas

▲PERSPĖJIMAS: Ištuštinkite dulkių maišelį arba pakeiskite popierinį filtrą dar jam neužsipildžius. To nepadarius, susilpnėja siurbimo galia.

▲PERSPĖJIMAS: Uždarydami dulkių rinktuvo dangtį, būkite atsargūs, kad neprisispaustumėte pirštų.

PASTABA: Niekada neišmeskite dulkių stabdiklio, nes jis turi būti naudojamas kartu su dulkių maišeliu ar popieriniu filtru.

PASTABA: Kai dulkių maišelis / popierinis filtras nėra įdėtas į siurbį, dulkių rinktuvo dangtis užsidaro nevisiškai. Nebandykite uždaryti dulkių rinktuvo dangčio per jėgą. Galite deformuoti arba sulaužyti įrankį.

PASTABA: Kai išmetate dulkes, taip pat išvalykite dulkių maišelio / popierinio filtro įdėjimo vietą. Jei liks dulkių arba nešvarumų, kempininis filtras gali užsikimšti arba gali sugesti variklis.

- Atidarykite dulkių rinktuvo dangtį.
► **Pav.27:** 1. Dulkių rinktuvo dangtis
- Vienu metu patraukite už oranžinės spalvos dulkių stabdiklio ir dulkių maišelio / popierinio filtro.
► **Pav.28:** 1. Dulkių stabdiklis
- Kai naudojate dulkių maišelį**
Išimkite dulkių stabdiklį ir ištuštinkite dulkių maišelį.
► **Pav.29:** 1. Dulkių stabdiklis 2. Dulkių maišelis

Kai naudojate popierinį filtrą
Išimkite dulkių stabdiklį ir išmeskite popierinį filtrą.
► **Pav.30:** 1. Dulkių stabdiklis 2. Popierinis filtras

- Tuo pačiu metu įdėkite dulkių maišelį / naują popierinį filtrą ir dulkių stabdiklį į siurbį ir uždarykite dulkių rinktuvo dangtį.

Kai įrenginys naudojamas kaip pūstuvus

▲PERSPĖJIMAS: Niekada nenukreipkite antgalio į jokių netoliese esančių žmonių.

▲PERSPĖJIMAS: Nenaudokite siurblio orui į daiktus pūsti, pvz., į guminį plaustą, kamuolius ar kitus pripučiamus gaminius. Padidėjusios variklio apsukos gali sukelti pavojingą ventilatoriaus gedimą.

Pūstuvo priedo montavimas ir nuėmimas

Norėdami pritvirtinti pūstuvo priedą, sutapdinkite pūstuvo priedo jungties iškyšą su vėdinimo angos grioveliu ir stumkite, kol spragtelės.

► **Pav.31:** 1. Pūstuvo priedas

Norėdami nuimti pūstuvo priedą, traukite jungtį žemyn, tuo pačiu metu spausdami jos viršutinę dalį, kaip parodyta.

► **Pav.32**

Pūtimas

Nukreipkite pūstuvo priedo galą į norimą nupūsti objektą ir įjunkite įrankį.

► **Pav.33**

TECHNINĖ PRIEŽIŪRA

▲PERSPĖJIMAS: Visuomet įsitikinkite, ar įrankis yra išjungtas ir akumulatoriaus kasetė yra nuimta prieš atlikdami apžiūrą ir priežiūrą.

PASTABA: Niekada nenaudokite gazolino, benzino, tirpiklio, spirito arba panašių medžiagų. Gali atsirasti išblukimų, deformacijų arba įtrūkimų.

Kad gaminys būtų SAUGUS ir PATIKIMAS, jį taisyti, apžiūrėti ar vykdyti bet kokią kitą priežiūrą ar derinimą turi įgaliotasis kompanijos „Makita“ techninės priežiūros centras; reikia naudoti tik kompanijos „Makita“ pagamintas atsargines dalis.

Valymas

Retkarčiais nuvalykite siurblio išorę (siurblio korpusą), naudodami muilname vandenyje sudrėkintą šluostę. Taip pat išvalykite įsiurbimo angą, dulkių maišelio / popierinio filtro tvirtinimo vietą ir dulkių stabdiklį.
► **Pav.34**

Jei dulkių maišelis užsikimšęs nuo dulkių ir siurblio galingumas sumažėja, išplaukite maišelį muiluotu vandeniu. Prieš naudodami, visiškai jį išdžiovinkite. Jei filtras bus nepakankamai sausas, gali sumažėti įsiurbimo galia ir sutrumpėti variklio naudojimo laikas.
► **Pav.35**

PASTABA: Popierinis filtras yra vienkartinis.

Jei kempininis filtras užsikimšęs nuo dulkių, išimkite jį iš siurblio ir išvalykite arba išplaukite vandeniu.

Kempininio filtro išėmimas ir įdėjimas

▲PERSPĖJIMAS: Išvalę kempininį filtrą, būtinai įtaisykite jį į siurbį. Jei plovėte jį vandeniu, prieš įtaisydami išdžiovinkite jį. Dėl nepakankamai išdžiūvusio filtro gali sutrumpėti variklio eksploataavimo laikas.

Norėdami išimti kempininį filtrą, išimkite dulkių maišelį arba popierinį filtrą, tada suspauskite filtrą ir išimkite.

► **Pav.36:** 1. Kempininis filtras

Prispauskite visą kempininio filtro kraštą prie įtaisytos dulkių maišelio / popierinio filtro tvirtinimo vietos sienelės.

► **Pav.37:** 1. Tvirtinimo vietos sienelė

Sandėliavimas

▲JSPĖJIMAS: Niekada nepalikite akumulatoriaus kasetės ir įkroviklio automobilyje. Saulėje stovinčio automobilio temperatūra gali būti didesnė kaip 50 °C (122 °F). Todėl akumulatoriaus kasetės savybės gali suprastėti, gali išsiskirti skystis, pasirodyti dūmai ar kilti gaisras.

► **Pav.38**

▲JSPĖJIMAS: Niekada nenaudokite į laikymo krepšį įdėto įkroviklio. Užblokavus oro vėdinimo angą gali imti rūkti dūmai arba kilti gaisras.

► **Pav.39**

⚠JSPĒJIMAS: Niekada nekraukite akumulatoriaus kasetēs, naudodami transporto priemonēs inverterj. Jis gali neįprastai įkaisti ir sukelti gaisrą.

⚠JSPĒJIMAS: Niekada nekraukite akumulatoriaus kasetēs automobilyje. Jei akumulatoriaus kasetē bus veikiamą j 10–40 °C (50–104 °F) temperatūros diapazoną nepatenkančios temperatūros, ji gali imti kaisti ir (arba) gali kilti gaisras, taip pat ji gali sprogti.

⚠PERSPĒJIMAS: Žarną visada laikykite taip, kaip parodyta, kad, kai siurblio nenaudojate, už jos neužkliūtumėte.

Jūsų pėdos gali užkliūti už nesulankstytos žarnos, todėl galite susižaloti.

► **Pav.40:** 1. Kablys 2. Žarna

Trikčių šalinimas

Prieš kreipdamiesi dėl remonto, patikrinkite šiuos punktus.

Požymis	Tikrintina sritis	Ištaisymo būdas
Silpna įsiurbimo galia	Ar dulkių maišelis arba popierinis filtras pilnas dulkių?	Ištuštinkite dulkių maišelį ir popierinį filtrą.
	Ar užsikimšęs dulkių maišelis?	Pašalinkite dulkes arba išplaukite dulkių maišelį.
	Ar užsikimšęs popierinis filtras?	Pakeiskite popierinį filtrą.
	Ar išsikrovė akumulatoriaus kasetė?	Įkraukite akumulatoriaus kasetę.
Neveikia	Ar išsikrovė akumulatoriaus kasetė?	Įkraukite akumulatoriaus kasetę.
Neužsidaro dulkių rinktuvo dangtis	Ar dulkių maišelis arba popierinis filtras yra įdėtas?	Įdėkite dulkių maišelį arba popierinį filtrą.

PASTABA: Nebandykite taisyti siurblio patys.

PASIRENKAMI PRIEDAI

⚠PERSPĒJIMAS: Šiuos papildomus priedus arba įtaisus rekomenduojama naudoti su šioje instrukcijoje nurodytu „Makita“ bendrovės įrankiu. Naudojant bet kokius kitus papildomus priedus arba įtaisus, gali kilti pavojus sužeisti žmones. Naudokite tik nurodytam tikslui skirtus papildomus priedus arba įtaisus.

Jeigu norite daugiau sužinoti apie tuos priedus, kreipkitės į artimiausią „Makita“ techninės priežiūros centrą.

- Ilginamasis vamzdis (tiesus vamzdis)
- Antgalis
- Antgalis kilimams valyti
- Šepetėlis lentynoms valyti
- Kampinis antgalis
- Apvalus šepetėlis
- Lanksti žarna
- Popierinis filtras
- Laisvas antgalis
- Antgalis sėdynėms
- Plyšių antgalis
- Ciklono priedas
- Dulkių maišelis
- Ilin našus dulkių maišelis
- Minkštas maišelis
- Originalus „Makita“ akumulatorius ir įkroviklis

PASTABA: Kai kurie sąrašė esantys priedai gali būti pateikti įrankio pakuotėje kaip standartiniai priedai. Jie įvairiose šalyse gali skirtis.

HOIATUS

Seda seadet võivad kasutada 8-aastased ja vanemad lapsed ning füüsiliste, sensorsete või vaimsete puuetega või puudulike kogemuste ja teadmistega isikud, juhul kui nad töötavad järelevalve all või kui neid on õpetatud seadet ohutult kasutama ja nad mõistavad seadme kasutamiseiga kaasnevaid ohtusid. Lapsed ei tohi seadmega mängida. Lapsed ei tohi seadet puhastada ega hooldada ilma järelevalveta.

TEHNILISED ANDMED

Mudel:		CL121D
Mahutavus	tolmukotiga	500 ml
	paberfiltriga	330 ml
Pidev kasutamine (akuga BL1016)	1 (tavalise kiiruse režiim)	Ligik. 25 min
	2 (suure kiiruse režiim)	Ligik. 12 min
	3 (max kiiruse režiim)	Ligik. 10 min
Üldpikkus (akuga BL1016)		345 mm
Nimipinge		Alalisvool 10,8 V - 12 V max
Netokaal		1,7 - 1,8 kg

- Meie pideva uuringu- ja arendusprogrammi tõttu võidakse tehnilisi andmeid muuta ilma sellest ette teatamata.
- Tehnilised andmed võivad riigiti erineda.
- Kaal ei sisalda lisatarvikuid peale akukasseti. Seadme ja akukasseti kõige kergem ja raskem kombineeritud kaal on näidatud tabelis.

Sobiv akukasset ja laadija

Akukasset	BL1015 / BL1016 / BL1020B / BL1021B / BL1040B / BL1041B
Laadija	DC10SA / DC10SB / DC10WC / DC10WD / DC18RE

- Mõned eespool loetletud akukassetid ja -laadijad ei pruugi olla teie riigis saadaval.

⚠ HOIATUS: Kasutage ainult ülalpool loetletud akukasseid ja laadijaid. Muude akukassetide ja laadijate kasutamine võib tekitada vigastusi ja/või tulekahju.

Sümbolid

Alljärgnevalt kirjeldatakse seadmetel kasutatavaid tingimärke. Veenduge, et olete nende tähendusest aru saanud enne seadme kasutamist.



Lugege juhendit.



Ainult Euroopa riigid
Ärge visake elektriseadmeid ja akusid ära koos majapidamisprügiga! Kooskõlas Euroopa Parlamendi ja nõukogu direktiividega elektri- ja elektroonikaseadmete jäätmete, patareide ja akude, patarei- ja akujäätmete kohta ning liikmesriikide seadustega tuleb kasutuskõlbmatuks muutunud elektriseadmed ja akud koguda eraldi ning keskkonnasäästlikult ringlusse võtta.

Kavandatud kasutus

Tööriist on ette nähtud tolmu kogumiseks.

OHUTUSHOIATUSED

Juhtmeta tolmuimeja ohutusnõuded

⚠ HOIATUS: ÄÄRMISELT OLULINE ON ENNE KASUTAMIST lugeda tähelepanelikult läbi kõik ohutushoiatused ja juhised. Hoiatuste ja juhtnõu-ride mittejärgmine võib põhjustada elektrišokki, tulekahju ja/või tõsiseid vigastusi.

1. Ärge jätke vihma kätte. Hoidke siseruumides.
2. Ärge lubage kasutada mänguasjana. Olge tähelepanelik, kui seadet kasutavad lapsed või kasutatakse laste lähedal.
3. Kasutage ainult vastavalt antud kasutusjuhendis toodud juhistele. Kasutage ainult tootja soovitatud lisatarvikuid.
4. Ärge kasutage seadet kahjustatud akuga. Kui seade ei tööta korralikult, on maha kukkunud, kahjustatud, välistingimustes jätud või vette kukkunud, viige see remondikeskusse.
5. Ärge käsitsege seadet märgade kätega.
6. Ärge asetage esemeid avadesse. Blokeeritud avade korral ei tohi tolmuimejat kasutada; hoidke puhas tolmust, kiududest, karvadest ja muust, mis võiks blokeerida õhuvoolu.
7. Hoidke juuksed, lahtised riideesemed, sõrmed ja kõik kehaosad avadest ning liikuvatest osadest eemal.
8. Enne aku eemaldamist lülitage kõik juhtseadised väljalülitatud asendisse.
9. Treppide puhastamisel olge eriti ettevaatlik.
10. Ärge imege seadmesse kergestisüttivaid vedelikke (nt bensiin) ega töötage nende läheduses.
11. Kasutage laadimiseks ainult komplektis olevat laadijat.
12. Ärge imege seadmesse põlevaid ega suitsevaid esemeid, nt sigarette, tikke või kuuma tuhka.
13. Ärge kasutage tolmutukotita ega filtriteta.
14. Ärge laadige akut välistingimustes.
15. Kasutage laadimiseks ainult tootja heaks kiidetud laadijat. Üht tüüpi akuga kasutamiseks sobiv laadija võib mõnda teist tüüpi akuga kasutamisel tuua kaasa süttimisohu.
16. Kasutage elektritööriistu üksnes spetsiaalselt neile toodetud akudega. Muude akude kasutamine võib tekitada tervisekahjustusi või tulekahju.
17. Kui akut ei kasutata, ärge hoidke seda koos muude metallesemetega, nagu kirjaklambrid, mündid, võtmed, naelad, kruvid jm väiksed metallesemed, mis võivad tekitada ühenduse klemmide vahel.
18. Väärkasutamise tagajärjel võib akut valguda välja vedelikku; ärge seda puudutage. Kui olete selle vedelikuga siiski kogemata kokku puutunud, uhtke kohta veega.
19. Ärge kasutage akupaketti ega tööriista, mis on kahjustatud või muudetud. Kahjustatud või muudetud akud võivad käituda etteaimamatult, põhjustades süttimis-, plahvatus- või vigastusohu.

20. Kaitske akupaketti ja tööriista tule ja kõrge temperatuuri eest. Tule või kõrgema kui 130 °C temperatuuriga kokkupuutumine võib tuua kaasa plahvatuse.
21. Pidage kinni kõigist laadimisjuhistest ja ärge laadige akupaketti ega tööriista väljaspool juhendis märgitud temperatuurivahemikku. Valesiti või väljaspool märgitud temperatuurivahemikku laadimine võib kahjustada akupaketti ja suurendada süttimisohu.

HOIDKE JUHEND ALLES.

OHUTUSE LISAEESKIRJAD

Seade on mõeldud kasutamiseks majapidamistöodes.

1. Lugege enne kasutamist hoolikalt seda kasutusjuhendit ja laadija kasutusjuhendit.
2. Ärge korjake üles järgmisi asju:
 - kuuma asjad, nagu põlevad sigaretid või metalli lihvimise/lõikamise käigus tekkinud kuuma osakesed/metallipuru;
 - tuleohtlikud materjalid, nagu bensiin, lahusti, petrooleum või värv;
 - plahvatusohtlikud materjalid, nagu nitroglütseriin;
 - süttimisohtlikud materjalid, nagu alumiinium, tsink, magneesium, titaan, fosfor või tselluloid;
 - märg praht, vesi, õli vms;
 - teravate servadega kõvad tükid, nagu puulaastud, metallid, kivid, klaas, naelad, klambrid või löiketerad;
 - kivistuv pulber, nagu tsement või savimuda;
 - elektrit juhtiv tolmu, nagu metall või süsinik;
 - peenosakesed, nagu betoonitolmu; selline tegevus võib põhjustada tulekahju, vigastusi ja/või varalist kahju.
3. Kui märkate midagi ebaharilikku, peatage töö viivitamatult.
4. Kui tolmuimeja kukub või saab löögi, kontrollige enne kasutamist hoolikalt, et sellel ei oleks mõrasid ega vigastusi.
5. Hoidke tööriist eemal ahjustest jm kuumusallikatest.
6. Ärge blokeeri sisselaskeava ega ventilatsiooniasasid.

HOIDKE JUHEND ALLES.

Akupassetiga seotud olulised ohutusjuhised

1. Enne akupasseti kasutamist lugege (1) akulaadidajal, (2) akul ja (3) seadmel olevad juhtnõu-rid ja hoiatused läbi.
2. Ärge võtke akupasseti lahti.
3. Kui tööaeg järsult lüheneb, siis lõpetage kohe kasutamine. Edasise kasutamise tulemuseks võib olla ülekuumenemisoht, võimalikud põle-tused või isegi plahvatus.

4. Kui elektrolüüti satub silma, siis loputage silma puhta veega ja pöörduge koheselt arsti poole. Selline õnnetus võib põhjustada pimedaksjäämist.
5. Ärge tekitage akukassetis lühist:
 - (1) Ärge puutuge klemme elektrijuhtidega.
 - (2) Ärge hoidke akukasseti tööriistakastis koos metallesemetega, nagu naelad, mündid jne.
 - (3) Ärge tehke akukasseti märjaks ega jätke seda vihma kätte.

Aku lühis võib põhjustada tugevat elektri-voolu, ülekuumenemist, põletusi ning ka sea-
det tõsiselt kahjustada.

6. Ärge hoidke tööriista ja akukasseti kohtades, kus temperatuur võib tõusta üle 50 °C.
 7. Ärge põletage akukasseti isegi siis, kui see on saanud tõsiselt vigastada või on täiesti kulu-
nud. Akukasset võib tules plahvatada.
 8. Olge ettevaatlik, ärge laske akul maha kukkuda ja vältige lööke.
 9. Ärge kasutage kahjustatud akut.
 10. Sisalduvatele liitium-ioonakudele võivad kohalduda ohtlike kaupade õigusaktide nõu-
ded.
- Kaubandusliikl transportimisel, näiteks kolman-
date poole või transportiettevõtete poolt, tuleb
järgida pakendil ja siltidel toodud erinõudeid.
Transportimiseks ettevalmistamisel on vajalik
pidada nõu ohtliku materjali eksperdiga. Samuti
tuleb järgida võimalike riiklike regulatsioonide
üksikasjalikumaid nõudeid.
- Katke teibiga või varjake avatud kontaktid ja
pakendage aku sellisel, et see ei saaks pakendis
liikuda.
11. Järgige kasutusõlbumatuks muutunud aku
käitlemisel kohalike eeskirju.
 12. Kasutage akusid ainult Makita heaks kiidetud
toodetega. Akude paigaldamine selleks mitte
ettenähtud toodetele võib põhjustada süttimist,
ülemäärast kuumust, plahvatamist või elektrolüüdi
lekkimist.

HOIDKE JUHEND ALLES.

⚠ETTEVAATUST: Kasutage ainult Makita
originaalakusid. Mitte Makita originaalakude või
muudetud akude kasutamine võib põhjustada akude
süttimise, kehavigastuse ja kahjustuse. Samuti muu-
dab see kehtetuks Makita tööriista ja laadija Makita
garantii.

Vihjeid aku maksimaalse kasu- tusaja tagamise kohta

1. Laadige akukasseti enne selle täielikku
tühenemist. Kui märkate, et tööriist töötab
väiksema võimsusega, peatage töö ja laadige
akukasseti.
2. Ärge laadige täielikult laetud akukasseti.
Ülelaadimine lühendab akude kasutusiga.
3. Laadige akukasseti toatemperatuuril 10 °C -
40 °C. Enne laadimist laske kuumenenud aku-
kassetil maha jahtuda.

FUNKTSIONAALNE KIRJELDUS

⚠ETTEVAATUST: Kandke alati hoolt selle eest,
et tööriist oleks enne reguleerimist ja kontrolli-
mist välja lülitatud ja akukasset eemaldatud.

⚠ETTEVAATUST: Olge ettevaatlik ja ärge jätke
aku paigaldamise ajal sõrme/sõrmi tolmuieme ja
aku vahele. Sõrmede vigastamise oht.

Akukasseti paigaldamine või eemaldamine

⚠ETTEVAATUST: Lülitage tööriist alati enne
akukasseti paigaldamist või eemaldamist välja.

⚠ETTEVAATUST: Akukasseti paigaldamisel
või eemaldamisel tuleb tööriista ja akukasseti
kindlalt paigal hoida. Kui tööriista ja akukasseti ei
hoita kindlalt paigal, võivad need käest libiseda ning
kahjustada tööriista ja akukasseti või põhjustada
kehavigastusi.

► **Joon.1:** 1. Punane näidik 2. Nupp 3. Akukasset

Akukasseti eemaldamiseks libistage see tööriista kül-
jest lahti, vajutades kasseti esiküljel paiknevat nuppu
alla.

Akukasseti paigaldamiseks joondage akukasseti keel
korpuse soonega ja libistage kasset oma kohale.
Paigaldage akuadapter alati nii kaugele, et see lukus-
tuks klõpsatusega oma kohale. Kui näete nupu ülaosas
punast osa, pole kasset täielikult lukustunud.

⚠ETTEVAATUST: Paigaldage akukasset alati
täies ulatuses nii, et punast osa ei jääks näha.

Muidu võib adapter juhusegalt tööriistast välja kuk-
kuda ning põhjustada teile või läheduses viibivatele
isikutele vigastusi.

⚠ETTEVAATUST: Ärge rakendage akukasseti
paigaldamisel jõudu. Kui kasset ei lähe kergesti
sisse, pole see õigesti paigaldatud.

Tööriista/aku kaitsesüsteem

Tööriist on varustatud tööriista/aku kaitsesüsteemiga.
Süsteem lülitab mootori automaatselt välja, et piken-
dada tööriista ja aku eluiga.

Tööriist seiskub käitamise ajal automaatselt, kui töö-
riista ja/või aku kohta kehtib üks järgmistest tingimus-
test. Mõnedes tingimustes hakkab märgutuli põlema.

► **Joon.2:** 1. Märgutuli

Ülekoormuskaitse

Kui tööriista kasutatakse viisil, mis põhjustab ebanor-
maalselt kõrge voolutaseme, seiskub tööriist auto-
maatselt ja näidik vilgub umbes 60 sekundit. Sel juhul
lülitage tööriist välja ja lõpetage tööriista ülekoormuse
põhjustanud töö. Pärast seda käivitage tööriist uuesti.

Ülekuumenemiskaitse

Kui tööriist/aku on ülekuumenenud, seiskub tööriist automaatselt, aku indikaator hakkab põlema ja põleb umbes 60 sekundit. Tööriist ei käivitu isegi sisselülitamisel. Sellises olukorras laske akul maha jahtuda, enne kui tööriista uuesti sisse lülitate.

Ülelaadimiskaitse

Aku jääkmahtuvuse vähenemisel hakkab indikaatorlamp vilkuma. Edasisel kasutamisel tööriist seiskub, indikaatorlamp hakkab põlema ja põleb umbes 60 sekundit. Tööriista sisse lülitades hakkab mootor tööle, kuid seiskub peatselt. Sellisel juhul laadige akukassetti.









MÄRKUS: Aeg, millal lamp süttib, onelab töökoha temperatuurist ja akukasseti seisundist.

Aku jääkmahutavuse näit

Ainult näidikuga akukassettidele

► **Joon.3:** 1. Märgulambid 2. Kontrollimise nupp

Akukasseti järelejäänud mahutavuse kontrollimiseks vajutage kontrollimise nuppu. Märgulambid süttivad mõneks sekundiks.

Märgulambid		Jääkmahutavus
Põleb	Ei põle	
		75–100%
		50–75%
		25–50%
		0–25%

MÄRKUS: Näidatud mahutavus võib veidi erineda tegelikust mahutavusest olenevalt kasutustingimustest ja ümbritseva keskkonna temperatuurist.

Lüliti funktsioneerimine

► **Joon.4:** 1. Nupp SEES / kiiruse valimine 2. Nupp VÄLJAS

Tolmuimeja sisselülitamiseks vajutage lihtsalt nuppu SEES / kiiruse valimine. Väljalülitamiseks vajutage nuppu VÄLJAS.

Nuppu SEES / kiiruse valimine vajutades saate valida tolmuimeja kolme kiiruse vahel.

Esimest korda seda nuppu vajutades lülitub sisse suure kiiruse režiim, teine vajutus aktiveerib max kiiruse režiimi ja kolmas vajutus tavalise kiiruse. Uuesti sama nuppu vajutades kordub suure/max/tavalise kiiruse tsükkel.

KOKKUPANEK

ÄRTEVAATUST: Kandke alati hoolt selle eest, et tööriist oleks enne igasuguseid hooldustöid välja lülitatud ja akukassett eemaldatud.

Tolmukott ja paberfilter

Enne tolmuimeja kasutamist paigaldage tolmukott või paberfilter.

Kasutage tolmukotti või paberfiltrit paigaldades tolmustopperit.

Tolmukotti saab tühjendada ja korduvalt kasutada. Paberfilter on mõeldud ühekordseks kasutamiseks. Kui paberfilter saab täis, visake see ilma eelnevalt tühjendamata välja.

TÄHELEPANU: Mootori kaitsmine tolmu sissetungimise eest.

- Veenduge, et enne kasutamist oleksid paigaldatud tolmukott ja paberfilter.
- Paigaldamisel sisestage tolmustopper tolmu koti või paberfiltriga lõpuni piludesse.
- Ärge kasutage purunenud ega rebenenud filtrikotti.

Muidu võib mootor puruneda.

TÄHELEPANU: Ärge voltige paberfiltrit paigaldamise ajal kartongi selle avas kokku.

TÄHELEPANU: Ärge tolmustopperit minema visake, seda peab alati kasutama koos tolmu koti või paberfiltriga.

TÄHELEPANU: Nõuetekohane paberfilter on tähtis komponent tolmuimeja jõudluse tagamise seisukohast. Mitteoriginaalse paberfiltrit kasutamine võib põhjustada suitsemist või süttimist.

Tolmukoti paigaldamine

Kasutage tolmu koti paigaldamisel tolmustopperit. Jälgige, et ei ajaks kogemata segamini tolmustopperi alumist ja ülemist poolt – need on erinevad.

► **Joon.5:** 1. Tolmustopperi ülemine pool
2. Tolmustopperi alumine pool

1. Lükake tolmu koti väljaulatuv serv tolmustopperi soonde nii, nagu on joonisel kujutatud.

Tolmu koti ülemise ja alumise poole vahel pole erinevusi. Koti väljaulatava serva võib tolmustopperi soonde lükata mõlemalt poolt.

► **Joon.6:** 1. Tolmustopper 2. Soon 3. Tolmukott

2. Tolmu koti raam peab katma tolmustopperi raami.
► **Joon.7**

3. Asetage tolmustopper ja tolmu koti üheskoos tolmuimeja tühimikku tolmustopperil oleva noole suunas. Lükake mõlemad tolmuimeja tühimiku piludesse lõpuni välja.

► **Joon.8:** 1. Pesa

4. Paigutage tolmu koti kogu riidest osa tolmuimeja sisse.

► **Joon.9**

5. Sulgege korralikult tolmukarbi kate.

► **Joon.10:** 1. Tolmukarbi kate

MÄRKUS: Kui tolmukott pole tolmumejasse paigaldatud, ei sulgu tolmukarbi kate lõpuni.

Paberfiltri paigaldamine

Kasutage paberfiltri paigaldamisel tolmustopperit. Jälgige, et ei ajaks kogemata segamini tolmustopperi alumist ja ülemist poolt – need on erinevad.

► **Joon.11:** 1. Tolmstopperi ülemine pool
2. Tolmstopperi alumine pool

1. Enne tolmustopperisse paigutamist voltige paberfiltri suu lahti.

► **Joon.12**

2. Lükake paberfiltri väljaulatuv serv tolmustopperi soonde nii, nagu on joonisel kujutatud.

Paberfiltri ülemise ja alumise poole vahel pole erinevusi. Koti väljaulatava serva võib tolmustopperi soonde lükata mõlemalt poolt.

► **Joon.13:** 1. Tolmstopper 2. Soon 3. Paberfilter

3. Paberfiltri raam peab katma tolmustopperi raami.

► **Joon.14**

4. Asetage tolmustopper ja paberfilter üheskoos tolmumeja tühimikku tolmustopperil oleva noole suunas. Lükake mõlemad tolmumeja tühimiku piludesse lõpuni välja.

► **Joon.15:** 1. Pesa

5. Paigutage paberfiltri kogumisosa täielikult tööriista sisse.

► **Joon.16**

6. Sulgege korralikult tolmukarbi kate.

► **Joon.17:** 1. Tolmukarbi kate

MÄRKUS: Kui paberfilter pole tolmumejasse paigaldatud, ei sulgu tolmukarbi kate lõpuni.

Ölarihma paigaldamine

⚠ETTEVAATUST: Jälgige tähelepanelikult, et ölarihm ei jääks ümbritsevate esemete taha kinni.

⚠ETTEVAATUST: Olge tolmumeja kasutamisel ettevaatlik, et ölarihm öla pealt maha ei libiseks. Tolmumeja stabiilse kasutamise jaoks on soovitatav kanda ölarihma risti üle rinna.

Kinnitage ölarihma konksud joonisel näidatud viisil õhupuhasti kinnituste külge.

► **Joon.18:** 1. Ölarihm 2. Konks 3. Kinnitus

MÄRKUS: Ölarihma saate kinnitada ka pehme kotti (valikuline tarvik) külge, nagu on pildil näidatud.

► **Joon.19**

TÖÖRIISTA KASUTAMINE

⚠ETTEVAATUST: Tolmumeja kandmisel hoidke alati käepidemest. Kui hoiate kandmisel kinni seadme mõnest tarvikust, võib see tolmumejalt lahti tulla ja põhjustada kehavigastuse.

⚠ETTEVAATUST: Ärge hoidke kinni voolikuühendusest, nagu on näidatud joonisel. Voolikuühendusest kinnihoidmisel võivad sõrmed muljuda saada.

► **Joon.20:** 1. Voolikuühendus

Tolmumeja kasutamine

MÄRKUS: Eemaldage enne tolmu imemist seadmelt puhuritarvik. Kui puhuritarvik on tolmumejale kinnitatud, on imemisvõimsus väiksem.

Puhastustarviku paigaldamine või eemaldamine

Tarviku, näiteks otsaku ühendamiseks või eemaldamiseks keerake ja sisestage see kindlalt voolikule. Eemaldamiseks keerake seda ja eemaldage. Nagu on joonisel näidatud, on paigaldamise viis otsakuti erinev.

► **Joon.21:** 1. Voolik 2. Kummiotsak 3. Pehme hari
4. Istmeotsak 5. Matiotsak

Tolmu imemine

Kummiotsak

Otsak on mugav lahendus all asuvate nurkade, näiteks põrandataaskute puhastamiseks. Kummiotsak on puhastatava pinna suhtes õrn.

► **Joon.22:** 1. Kummiotsak

Pehme hari

Otsak on mugav õhukonditsioneeride, armatuurlaudade jms puhastamiseks. Pehme harja pead on võimalik pöörata täisnurga alla.

► **Joon.23:** 1. Pehme hari

Istmeotsak

Sellel otsakul on kiudhari istmepindade puhastamiseks. Otsaku külghari on kasulik õmblustest tolmu kättesaamiseks.

► **Joon.24:** 1. Istmeotsak 2. Külghari

Matiotsak

Seda otsakut kasutatakse põrandamattide ja vaipade puhastamiseks. Otsakul asuvad hambad aitavad liivate-rasid eemaldada.

► **Joon.25:** 1. Matiotsak

Puhastamine ilma otsakuta

Tolmu on võimalik imeda ka ilma otsakuta.

► **Joon.26**

Tolmu eemaldamine

⚠ETTEVAATUST: Tühjendage tolmu­kott või vahetage paberfilter enne täis saamist. Muidu muutub imivõimsus nõrgemaks.

⚠ETTEVAATUST: Olge tolmu­karbi kate sulgemisel ettevaatlik, et sõrmed ei jääks kate ja seadme vahele.

TÄHELEPANU: Ärge tolmu­stopperit minema visake. Seda peab kasutama alati koos tolmu­koti või paberfiltriga.

TÄHELEPANU: Kui tolmu­kott/paberfilter pole tolmu­imeja sees, ei sulgu tolmu­karbi kate lõpuni. Ärge kasutage tolmu­karbi kate sulgemiseks jõudu. See võib tööriista de­formeeri­da või purustada.

TÄHELEPANU: Tolmu ära­viskamisel puhastage ka tolmu­koti/paber­filtri asukoht. Asukohta alles jäänud tolmu võib ummistada vah­tiltri või kahjustada mootorit.

1. Avage tolmu­karbi kate.
▶ **Joon.27:** 1. Tolmu­karbi kate
 2. Tõmmake nii oranž tolmu­koti sulgur kui ka tolmu­kott/paberfilter ühel ajal korraga välja.
▶ **Joon.28:** 1. Tolmu­stopper
 3. **Tolmu­koti kasutamisel**
Eemaldage tolmu­stopper ja tühjendage tolmu­kott.
▶ **Joon.29:** 1. Tolmu­stopper 2. Tolmu­kott
- Paber­filtri kasutamisel**
Eemaldage tolmu­stopper ja visake paberfilter ära.
▶ **Joon.30:** 1. Tolmu­stopper 2. Paberfilter
4. Pange tolmu­kott / uus paberfilter ja tolmu­stopper korraga tagasi tolmu­imejasse ning sulgege tolmu­karbi kate.

Kasutamine puhurina

⚠ETTEVAATUST: Ärge suunake otsakut lähedal viibivate isikute poole.

⚠ETTEVAATUST: Ärge kasutage tolmu­imejat esemetesse, näiteks kummipa­atidesse, pallidesse või teistesse täispuhutavatesse toodetes­se, õhu sisse puhumiseks. Mootori suurenenud pöörte arv võib põhjustada ventilaatori ohtliku purunemise.

Puhuritarviku paigaldamine või eemaldamine

Puhuritarviku kinnitamiseks viige puhuritarviku pordi eend kohakuti õhu­vaal oleva soonega ja suruge see­järel kuni klõpsatuseni.

▶ **Joon.31:** 1. Puhuritarvik

Puhuritarviku eemaldamiseks tõmmake ava allapoole ja vajutage samas joonisel näidatud moel selle ülaosale.

▶ **Joon.32**

Puhumine

Suunake puhuritarviku ots eseme poole, mis tuleb ära puhuda, ja lülitage seade sisse.

▶ **Joon.33**

HOOLDUS

⚠ETTEVAATUST: Enne kontrolli- või hooldus­toimingute tegemist kandke alati hoolt selle eest, et tööriist oleks välja lülitatud ja akukas­sett kor­puse küljest eemaldatud.

TÄHELEPANU: Ärge kunagi kasutage bensiini, vedeldit, alkoholi ega midagi muud sarnast. Selle tulemuseks võib olla luitumine, deformatsioon või pragunemine.

Toote OHUTUSE ja TÖÖKINDLUSE tagamiseks tuleb vajalikud remonttööd ning muud hooldus- ja reguleerimistööd lasta teha Makita volitatud teeninduskeskustes või tehase teeninduskeskustes. Alati tuleb kasutada Makita varuosid.

Puhastamine

Puhastage tolmu­imeja korpuse välispinda aeg-ajalt seebivees niisutatud lapiga.

Puhastage ka imiava, tolmu­koti/paber­filtri paigaldamisala ja tolmu­stopperit.

▶ **Joon.34**

Kui tolmu­kott on tolmu­st ummistunud ja tolmu­imeja ime­mis­võimsus on vähenenud, peske tolmu­kotti seebivees. Enne kasutamist laske korralikult kuivada. Halvasti kuivatatud filter vähendab imemis­võimsust ja lühendab mootori tööiga.

▶ **Joon.35**

MÄRKUS: Paberfilter on mõeldud ühekordseks kasutamiseks.

Kui tolmu­filter on tolmu­st ummistunud, eemaldage see aparaadist ja puhastage või peske seda.

Tolmu­filtri paigaldamine ja eemaldamine

⚠ETTEVAATUST: Ärge unustage tolmu­filtrit pärast puhastamist tolmu­imejasse paigaldada. Kui te filtrit pesite, laske sel enne tagasipanekut ära kuivada. Korralikult kuivamata tolmu­filter võib lühendada mootori kasutusiga.

Tolmu­filtri eemaldamiseks eemaldage tolmu­kott või paberfilter, seejärel pitsitage kokku ja tõmmake välja.

▶ **Joon.36:** 1. Tolmu­filter

Vajutage kogu tolmu­filtri serv tolmu­koti/paber­filtri paigaldusala süvistatud siseseina vastu.

▶ **Joon.37:** 1. Süvistatud sein

Hoiundamine

⚠HOIATUS: Ärge jätke akukas­setti ega laadijat sõidukisse. Temperatuur päikese käes olevas sõidukis võib tõusta üle 50 °C (122 °F). Akukas­sett võib selle tulemusel rikki minna, vedelik võib akukas­setist välja tungida, võib suitsu eralduda ja akukas­sett võib süttida.

▶ **Joon.38**

⚠HOIATUS: Ärge kasutage hoiukotis olevat laadijat. Õhuava ummistumine võib põhjustada suitsu või süttimist.

► **Joon.39**

⚠HOIATUS: Ärge laadige akukassetti sõiduki inverteriga. Tulemus võib olla tavatu kuumus ja süttimine.

⚠HOIATUS: Ärge laadige akukassetti sõidukis. Kui akukassett puutub kokku vahemikust 10°C (50°F) – 40°C (104°F) välja jääva temperatuuriga, võib see tekitada kuumust, süttida või plahvatada.

⚠ETTEVAATUST: Kui tolmuimejat ei kasutata, hoidke voolikut komistamise vältimiseks alati näidatud viisil.

Kokkupanemata vooliku taha võib kergesti komistada ja saada seetõttu viga.

► **Joon.40:** 1. Konks 2. Voolik

Törkeotsing

Enne seadme remonti viimist kontrollige järgmisi punkte.

Probleemi kirjeldus	Mida tuleks uurida?	Kuidas parandada?
Nõrk imemisjõud	Kas tolmuks või paberfilter on tolmu täis?	Tühjendage tolmuks või paberfilter.
	Kas tolmuks on ummistunud?	Tühjendage või peske tolmuks.
	Kas paberfilter on ummistunud?	Vahetage paberfilter.
	Kas akukassett on tühi?	Laadige akukassett.
Ei tööta.	Kas akukassett on tühi?	Laadige akukassett.
Tolmukarbi kate ei sulgu	Kas tolmuks või paberfilter on kohale asetatud?	Pange tolmuks või paberfilter oma kohale.

MÄRKUS: Ärge püüdke tolmuimejat ise parandada.

VALIKULISED TARVIKUD

⚠ETTEVAATUST: Neid tarvikuid ja lisaseadiseid on soovitatav kasutada koos Makita tööriistaga, mille kasutamist selles kasutusjuhendis kirjeldatakse. Muude tarvikute ja lisaseadiste kasutamisega kaasneb vigastada saamise oht. Kasutage tarvikuid ja lisaseadiseid ainult otstarbekohaselt.

Saate vajaduse korral kohalikust Makita teeninduskeskusest lisateavet nende tarvikute kohta.

- Teleskoopтору (sirge toru)
- Otsak
- Vaibaotsak
- Riivilhari
- Nurgaotsak
- Ümmargune hari
- Elastne voolik
- Paberfilter
- Eraldi otsak
- Istme otsak
- Praootsak
- Tsüklontarvik
- Tolmuks
- Suure jõudlusega tolmuks
- Pehme kott
- Makita algupärane aku ja laadija

MÄRKUS: Mõned nimekirjas loetletud tarvikud võivad kuuluda standardvarustusse ning need on lisatud tööriista pakendisse. Need võivad riigiti erineda.

ОСТОРОЖНО

Данный инструмент могут использовать дети с 8 лет и лица с ограниченными физическими, сенсорными или умственными способностями, а также не имеющие надлежащего опыта и знаний, только в случаях, когда они действуют под руководством или после надлежащего инструктажа по безопасному использованию инструмента и осознают возможные опасности. Не разрешайте детям играть с инструментом. Детям запрещается проводить чистку и обслуживание без контроля со стороны взрослых.

ТЕХНИЧЕСКИЕ ХАРАКТЕРИСТИКИ

Модель:		CL121D
Производительность	с пылесборным мешком	500 мл
	с бумажным фильтром	330 мл
Продолжительное использование (с аккумулятором BL1016)	1 (Режим нормальной скорости)	Приблизительно 25 мин
	2 (Режим высокой скорости)	Приблизительно 12 мин
	3 (Режим максимальной скорости)	Приблизительно 10 мин
Общая длина (с аккумулятором BL1016)		345 мм
Номинальное напряжение		10,8 - 12 В пост. тока, макс.
Масса нетто		1,7 - 1,8 кг

- Благодаря нашей постоянно действующей программе исследований и разработок указанные здесь технические характеристики могут быть изменены без предварительного уведомления.
- Технические характеристики могут различаться в зависимости от страны.
- В значение массы не входит масса принадлежностей, только масса блок(ов) аккумулятора. Наименьшая и наибольшая совокупная масса инструмента и блок(ов) аккумулятора указана в таблице.

Подходящий блок аккумулятора и зарядное устройство

Блок аккумулятора	BL1015 / BL1016 / BL1020B / BL1021B / BL1040B / BL1041B
Зарядное устройство	DC10SA / DC10SB / DC10WC / DC10WD / DC18RE

- В зависимости от региона проживания некоторые блоки аккумуляторов и зарядные устройства, перечисленные выше, могут быть недоступны.

⚠ ОСТОРОЖНО: Используйте только перечисленные выше блоки аккумуляторов и зарядные устройства. Использование других блоков аккумуляторов и зарядных устройств может привести к травме и/или пожару.

Символы

Ниже приведены символы, используемые для оборудования. Перед использованием убедитесь, что вы понимаете их значение.



Прочитайте руководство по эксплуатации.



Только для стран ЕС
Не выбрасывайте электрооборудование или аккумуляторы вместе с бытовым мусором! В соответствии с европейскими директивами об утилизации электрического и электронного оборудования, о батареях и аккумуляторах, а также использованных батареях и аккумуляторах и их применении в соответствии с местными законами электрооборудование, батареи и аккумуляторы, срок эксплуатации которых истек, должны утилизироваться отдельно и передаваться для утилизации на предприятие, соответствующее применяемым правилам охраны окружающей среды.

Назначение

Данный инструмент предназначен для сбора сухой пыли.

МЕРЫ БЕЗОПАСНОСТИ

Правила техники безопасности при эксплуатации аккумуляторного пылесоса

⚠ ОСТОРОЖНО: ВАЖНО! ВНИМАТЕЛЬНО ОЗНАКОМЬТЕСЬ со всеми инструкциями и рекомендациями по технике безопасности **ДО НАЧАЛА РАБОТЫ**. Невыполнение инструкций и рекомендаций может привести к поражению электротоком, пожару и/или тяжелым травмам.

1. Берегите от дождя. Храните в помещении.
2. Не позволяйте использовать в качестве игрушки. Если инструмент используют дети или инструмент используется рядом с детьми, соблюдайте особую осторожность.
3. Используйте только так, как описано в руководстве. Используйте только принадлежности, рекомендованные производителем.
4. Не используйте с поврежденным аккумулятором. Если инструмент не работает должным образом, был уронен, поврежден, забыт на улице или попал в воду, отнесите его в сервисный центр.
5. Не берите инструмент мокрыми руками.
6. Не помещайте какие-либо предметы в отверстие. Не используйте, если какое-либо отверстие заблокировано. Предотвращайте попадание пыли, пуха, волос и других материалов, способных уменьшить поток воздуха.
7. Держите волосы, свободную одежду, пальцы и другие части тела подальше от отверстий и движущихся деталей.
8. Перед снятием аккумулятора выключите все регуляторы.
9. Проявляйте особую осторожность при чистке на лестницах.
10. Не используйте для сбора огнеопасных или воспламеняющихся жидкостей, например бензина, и не используйте там, где они могут присутствовать.
11. Для зарядки используйте только зарядное устройство, поставляемое производителем.
12. Не собирайте ничего, что горит или дымится, например, окурки, спички или горячий пепел.
13. Не используйте без установленных фильтров и/или пылесборного мешка.
14. Не заряжайте аккумулятор на улице.
15. Заряжайте аккумулятор только зарядным устройством, указанным изготовителем. Зарядное устройство, подходящее для одного типа аккумуляторных блоков, может привести к пожару при его использовании с другим аккумуляторным блоком.

16. Используйте электроинструмент только с указанными аккумуляторными блоками. Использование других аккумуляторных блоков может привести к травме или пожару.
17. Когда аккумуляторный блок не используется, храните его отдельно от металлических предметов, таких как скрепки, монеты, ключи, гвозди, шурупы или другие небольшие металлические предметы, которые могут привести к короткому замыканию контактов аккумуляторного блока.
18. При неправильном обращении из аккумуляторного блока может потечь жидкость. Избегайте контакта с ней. В случае контакта с кожей промойте место контакта обильным количеством воды.
19. Не используйте поврежденные или модифицированные инструменты и аккумуляторные блоки. Поврежденные или модифицированные аккумуляторы могут работать некорректно, что может привести к пожару, взрыву или травмированию.
20. Не подвергайте аккумуляторный блок или инструмент воздействию огня или высокой температуры. Воздействие огня или температуры выше 130 °C может привести к взрыву.
21. Следуйте всем инструкциям по зарядке и не заряжайте аккумуляторный блок или инструмент при температурных условиях, выходящих за пределы диапазона, указанного в инструкции. Зарядка ненадлежащим образом или при температурных условиях, выходящих за пределы указанного диапазона, может привести к повреждению батареи и повысить риск пожара.

СОХРАНИТЕ ДАННЫЕ ИНСТРУКЦИИ.

ДОПОЛНИТЕЛЬНЫЕ ПРАВИЛА ТЕХНИКИ БЕЗОПАСНОСТИ

Этот инструмент предназначен для домашнего использования.

1. Перед использованием внимательно прочитайте это руководство по эксплуатации и руководство по эксплуатации зарядного устройства.
2. Запрещается собирать следующие материалы:
 - горячие материалы (напр., зажженные сигареты) или искры/стружку при шлифовке/резании металла
 - горючие материалы (например, бензин, растворитель, бензол, керосин или краска)
 - взрывоопасные материалы (например, нитроглицерин)
 - воспламеняющиеся материалы (например, алюминий, цинк, магний, титан, фосфор или целлулоид)
 - жидкую грязь, воду, масло и подобные материалы

- твердые частицы с острыми краями (например, древесные стружки, металлы, камни, стекла, гвозди, штифты или бритвы)
- пыль от цемента или тонера
- электропроводящую пыль (например, металлов или угля)
- тонкодисперсные частицы (например, пыль от бетона)

Подобные действия могут привести к пожару, травмам и/или повреждению имущества.

3. Немедленно прекратите работу, если вы заметили какие-либо отклонения.
4. Тщательно проверьте пылесос перед началом эксплуатации на предмет наличия трещин и повреждений, если вы уронили или ударили его.
5. Не подносите близко к печам и источникам тепла.
6. Не блокируйте входные и вентиляционные отверстия.

СОХРАНИТЕ ДАННЫЕ ИНСТРУКЦИИ.

Важные правила техники безопасности для работы с аккумуляторным блоком

1. Перед использованием аккумуляторного блока прочитайте все инструкции и предупреждающие надписи на (1) зарядном устройстве, (2) аккумуляторном блоке и (3) инструменте, работающем от аккумуляторного блока.
2. Не разбирайте аккумуляторный блок.
3. Если время работы аккумуляторного блока значительно сократилось, немедленно прекратите работу. В противном случае, может возникнуть перегрев блока, что приведет к ожогам и даже к взрыву.
4. В случае попадания электролита в глаза промойте их обильным количеством чистой воды и немедленно обратитесь к врачу. Это может привести к потере зрения.
5. Не замыкайте контакты аккумуляторного блока между собой:
 - (1) Не прикасайтесь к контактам какими-либо токопроводящими предметами.
 - (2) Не храните аккумуляторный блок в контейнере вместе с другими металлическими предметами, такими как гвозди, монеты и т. п.
 - (3) Не допускайте попадания на аккумуляторный блок воды или дождя.
 Замыкание контактов аккумуляторного блока между собой может привести к возникновению большого тока, перегреву, возможным ожогам и даже поломке блока.
6. Не храните инструмент и аккумуляторный блок в местах, где температура может достигать или превышать 50 °C (122 °F).

7. Не бросайте аккумуляторный блок в огонь, даже если он сильно поврежден или полностью вышел из строя. Аккумуляторный блок может взорваться под действием огня.
8. Не роняйте и не ударяйте аккумуляторный блок.
9. Не используйте поврежденный аккумуляторный блок.
10. Входящие в комплект литий-ионные аккумуляторы должны эксплуатироваться в соответствии с требованиями законодательства об опасных товарах.

При коммерческой транспортировке, например, третьей стороной или экспедитором, необходимо нанести на упаковку специальные предупреждения и маркировку.

В процессе подготовки устройства к отправке обязательно проконсультируйтесь со специалистом по опасным материалам. Также соблюдайте местные требования и нормы. Они могут быть строже.

Закройте или закрепите разомкнутые контакты и упакуйте аккумулятор так, чтобы он не перемещался по упаковке.
11. Выполняйте требования местного законодательства относительно утилизации аккумуляторного блока.
12. Используйте аккумуляторы только с продукцией, указанной Makita. Установка аккумуляторов на продукцию, не соответствующую требованиям, может привести к пожару, перегреву, взрыву или утечке электролита.

СОХРАНИТЕ ДАННЫЕ ИНСТРУКЦИИ.

⚠ВНИМАНИЕ: Используйте только фирменные аккумуляторные батареи Makita. Использование аккумуляторных батарей, не произведенных Makita, или батарей, которые были подвергнуты модификациям, может привести к взрыву аккумулятора, пожару, травмам и повреждению имущества. Это также автоматически аннулирует гарантию Makita на инструмент и зарядное устройство Makita.

Советы по обеспечению максимального срока службы аккумулятора

1. Заряжайте блок аккумуляторов перед его полной разрядкой. Обязательно прекратите работу с инструментом и зарядите блок аккумуляторов, если вы заметили снижение мощности инструмента.
2. Никогда не подзаряжайте полностью заряженный блок аккумуляторов. Перезарядка сокращает срок службы аккумулятора.
3. Заряжайте блок аккумуляторов при комнатной температуре в 10 - 40 °C (50 - 104 °F). Перед зарядкой горячего блока аккумуляторов дайте ему остыть.

ОПИСАНИЕ РАБОТЫ

ВНИМАНИЕ: Перед регулировкой или проверкой функций инструмента обязательно убедитесь, что он выключен и его аккумуляторный блок снят.

ВНИМАНИЕ: Соблюдайте осторожность, чтобы при установке аккумулятора не защемить пальцы между пылесосом и аккумулятором. Защемление пальцев может привести к травме.

Установка или снятие блока аккумулятора

ВНИМАНИЕ: Обязательно выключайте инструмент перед установкой и извлечением аккумуляторного блока.

ВНИМАНИЕ: При установке и извлечении аккумуляторного блока крепко удерживайте инструмент и аккумуляторный блок. Если не соблюдать это требование, они могут выскользнуть из рук, что приведет к повреждению инструмента, аккумуляторного блока и травмированию оператора.

► **Рис. 1:** 1. Красный индикатор 2. Кнопка 3. Блок аккумулятора

Для снятия аккумуляторного блока нажмите кнопку на лицевой стороне и извлеките блок.

Для установки аккумуляторного блока совместите выступ аккумуляторного блока с пазом в корпусе и задвиньте его на место. Устанавливайте блок до упора так, чтобы он зафиксировался на месте с небольшим щелчком. Если вы можете видеть красный индикатор на верхней части клавиши, адаптер аккумулятора не полностью установлен на месте.

ВНИМАНИЕ: Обязательно устанавливайте аккумуляторный блок до конца, чтобы красный индикатор не был виден. В противном случае аккумуляторный блок может выпасть из инструмента и нанести травму вам или другим людям.

ВНИМАНИЕ: Не прилагайте чрезмерных усилий при установке аккумуляторного блока. Если блок не двигается свободно, значит он вставлен неправильно.

Система защиты инструмента/аккумулятора

На инструменте предусмотрена система защиты инструмента/аккумулятора. Она автоматически отключает питание двигателя для продления срока службы инструмента и аккумулятора. Инструмент автоматически остановится во время работы при возникновении указанных ниже ситуаций, влияющих на работу самого инструмента или аккумулятора. В некоторых ситуациях загорается индикаторная лампа.

► **Рис.2:** 1. Индикаторная лампа

Защита от перегрузки

При работе в режиме, чрезмерно повышающем потребление тока, инструмент автоматически остановится, а индикаторы начнут мигать (приблизительно в течение 60 секунд). В этом случае выключите инструмент и прекратите работу, из-за которой произошла перегрузка инструмента. Затем включите инструмент для перезапуска.

Защита от перегрева

При перегреве инструмента/аккумулятора инструмент останавливается автоматически, а индикатор аккумулятора загорается и продолжает гореть приблизительно 60 секунд. Инструмент не запустится даже при выключении и повторном включении. В этом случае дайте аккумулятору остыть перед повторным включением инструмента.

Защита от переразрядки

При низком заряде аккумулятора индикатор начинает мигать. При дальнейшем использовании инструмент останавливается, а индикатор загорается примерно на 60 секунд. При включении инструмента электродвигатель запускается, но вскоре останавливается. В этом случае следует зарядить блок аккумулятора.

ПРИМЕЧАНИЕ: Время, через которое загорается индикатор, зависит от температуры на рабочем месте и состояния блока аккумулятора.

Индикация оставшегося заряда аккумулятора

Только для блоков аккумулятора с индикатором

► **Рис.3:** 1. Индикаторы 2. Кнопка проверки

Нажмите кнопку проверки на аккумуляторном блоке для проверки заряда. Индикаторы загорятся на несколько секунд.

Индикаторы		Уровень заряда
Горит	Выкл.	
■	□	от 75 до 100%
■ ■ ■ ■	□	от 50 до 75%
■ ■ □ □	□ □	от 25 до 50%
■ □ □ □	□ □ □ □	от 0 до 25%

ПРИМЕЧАНИЕ: В зависимости от условий эксплуатации и температуры окружающего воздуха индикация может незначительно отличаться от фактического значения.

Действие выключателя

- **Рис.4:** 1. Кнопка "Вкл."/изменения скорости
2. Кнопка "Выкл."

Для включения пылесоса просто нажмите кнопку "Вкл."/изменения скорости. Чтобы выключить инструмент, нажмите кнопку "Выкл.". Вы можете изменить скорость пылесоса за три шага путем нажатия кнопки "Вкл."/изменения скорости. Первое нажатие на эту кнопку включает режим высокой скорости, второе — режим максимальной скорости, а третье — нормально. Каждое последующее нажатие попеременно повторяет цикл высокой//максимальной/нормальной скорости.

СБОРКА

▲ВНИМАНИЕ: Перед проведением каких-либо работ с инструментом обязательно убедитесь, что инструмент отключен, а блок аккумулятора снят.

Пылесборный мешок и бумажный фильтр

Перед использованием пылесоса установите либо пылесборный мешок, либо бумажный фильтр. При установке пылесборного мешка или бумажного фильтра используйте заглушку для пыли. Пылесборный мешок можно использовать повторно много раз, очищая его. Бумажный фильтр необходимо выбрасывать после использования. Выбросите бумажный фильтр, когда он заполнится, не опорожня его.

ПРИМЕЧАНИЕ: Во избежание попадания пыли в мотор:

- Перед использованием инструмента убедитесь в наличии установленного пылесборного мешка или бумажного фильтра.
- При установке пылесборного мешка или бумажного фильтра также установите заглушку для пыли в слоты до фиксации.
- Не используйте поврежденный или разорванный мешок.

Несоблюдение данной инструкции может привести к повреждению двигателя.

ПРИМЕЧАНИЕ: При установке бумажного фильтра не сгибайте картонные части на его отверстиях.

ПРИМЕЧАНИЕ: Никогда не выбрасывайте заглушку для пыли, потому что она предназначена для повторного использования с пылесборным мешком и с бумажным фильтром.

ПРИМЕЧАНИЕ: Бумажный фильтр пылесоса — это важный компонент для сохранения работоспособности инструмента. Использование бумажных фильтров других производителей может привести к появлению дыма или возгоранию.

Установка пылесборного мешка

При установке пылесборного мешка используйте заглушку для пыли. Будьте внимательны, чтобы не перепутать верхнюю и нижнюю части, потому что они отличаются друг от друга.

- **Рис.5:** 1. Верхняя часть заглушки для пыли
2. Нижняя часть заглушки для пыли

1. Вставьте пылесборный мешок выступом в паз на заглушке для пыли, как показано на рисунке.

Нижняя и верхняя стороны пылесборного мешка одинаковы. Вы можете вставить его выступ любой стороной в паз на заглушке для пыли.

- **Рис.6:** 1. Заглушка для пыли 2. Паз
3. Пылесборный мешок

2. Перекройте рамку заглушки для пыли рамкой пылесборного мешка.

► **Рис.7**

3. Поместите одновременно заглушку для пыли и пылесборный мешок в углубление в пылесосе в направлении стрелки на заглушке для пыли. Вставьте их до упора в слоты углубления в пылесосе.

- **Рис.8:** 1. Канавка

4. Поместите всю тканевую часть пылесборного мешка внутрь самого устройства.

► **Рис.9**

5. Полностью закройте крышку пылезащитного кожуха.

- **Рис.10:** 1. Крышка пылезащитного кожуха

ПРИМЕЧАНИЕ: Если пылесборный мешок не установлен в пылесос, крышка пылезащитного кожуха не закроется полностью.

Установка бумажного фильтра

При установке бумажного фильтра используйте также заглушку для пыли. Будьте внимательны, чтобы не перепутать верхнюю и нижнюю части, потому что они отличаются друг от друга.

- **Рис.11:** 1. Верхняя часть заглушки для пыли
2. Нижняя часть заглушки для пыли

1. Разверните входную часть бумажного фильтра перед тем, как устанавливать его на заглушку для пыли.

► **Рис.12**

2. Вставьте выступ на бумажном фильтре в паз на заглушке для пыли, как показано на рисунке.

Нижняя и верхняя стороны бумажного фильтра одинаковы. Вы можете вставить его выступ любой стороной в паз на заглушке для пыли.

- **Рис.13:** 1. Заглушка для пыли 2. Паз
3. Бумажный фильтр

3. Перекройте рамку заглушки для пыли рамкой бумажного фильтра.

► **Рис.14**

4. Поместите одновременно заглушку для пыли и бумажный фильтр в углубление в пылесосе в направлении стрелки на заглушке для пыли. Вставьте их до упора в слоты углубления в пылесосе.

- **Рис.15:** 1. Канавка

5. Поместите всю тканевую часть бумажного мешка внутрь самого устройства.

► **Рис.16**

6. Полностью закройте крышку пылезащитного кожуха.

► **Рис.17:** 1. Крышка пылезащитного кожуха

ПРИМЕЧАНИЕ: Если бумажный фильтр не установлен в пылесос, крышка пылезащитного кожуха не закроется полностью.

Присоединение плечевого ремня

ВНИМАНИЕ: Следите за тем, чтобы плечевой ремень не зацепился за окружающие предметы.

ВНИМАНИЕ: Следите за тем, чтобы плечевой ремень не соскочил с плеча при использовании пылесоса. Для надежной фиксации пылесоса рекомендуется надевать плечевой ремень через плечо.

Закрепите крючки плечевого ремня на креплениях пылесоса, как показано на рисунке.

► **Рис.18:** 1. Плечевой ремень 2. Крючок 3. Крепление

ПРИМЕЧАНИЕ: Вы можете также пристегнуть плечевой ремень к мягкой сумке (дополнительная принадлежность), как показано на рисунке.

► **Рис.19**

ЭКСПЛУАТАЦИЯ

ВНИМАНИЕ: При перемещении пылесоса держитесь за ручку. Если при перемещении держаться за насадку, она может соскочить с пылесоса и привести к травме.

ВНИМАНИЕ: Не беритесь за соединение шланга, как показано на рисунке. Это может привести к защемлению пальцев.

► **Рис.20:** 1. Соединение шланга

Использование в качестве пылесоса

ПРИМЕЧАНИЕ: Удалите воздуходушку перед началом уборки пылесосом. Если воздуходушка установлена на пылесос, мощность всасывания может снизиться.

Установка или удаление насадки пылесоса

Для подсоединения дополнительной принадлежности, например насадки, поверните ее и вставьте в шланг до полной фиксации. Для отсоединения поверните ее и снимите.

Способ установки зависит от насадок (показано на рисунке).

► **Рис.21:** 1. Шланг 2. Резиновая насадка 3. Мягкая щетка 4. Насадка для очистки сиденья 5. Насадка для ковриков

Очистка пылесосом

Резиновая насадка

Этой насадкой удобно очищать углы внизу, например в дверной раме. Резиновая насадка предназначена для деликатной очистки поверхности.

► **Рис.22:** 1. Резиновая насадка

Мягкая щетка

Этой насадкой удобно очищать вентиляционные отверстия кондиционеров, панель приборов и т. д. Головку мягкой щетки можно поворачивать под прямым углом.

► **Рис.23:** 1. Мягкая щетка

Насадка для очистки сиденья

У этой насадки есть щетка для ворса, предназначенная для очистки сидений. Боковой щеткой на насадке удобно удалять пыль из швов.

► **Рис.24:** 1. Насадка для очистки сиденья 2. Боковая щетка

Насадка для ковриков

Эта насадка предназначена для очистки ковриков для пола и ковров. Зубчики на насадке помогают собирать песчинки.

► **Рис.25:** 1. Насадка для ковриков

Чистка без насадки

Очистку пылесосом можно выполнять без использования насадки.

► **Рис.26**

Удаление пыли

ВНИМАНИЕ: Опорожняйте пылесборный мешок или заменяйте бумажный фильтр до того, как он полностью заполнится. В противном случае мощность всасывания снизится.

ВНИМАНИЕ: Закрывая крышку пылезащитного кожуха, следите за тем, чтобы не защемить пальцы.

ПРИМЕЧАНИЕ: Не выбрасывайте заглушку для пыли, поскольку она должна использоваться как с пылесборным мешком, так и с бумажным фильтром.

ПРИМЕЧАНИЕ: Если пылесборный мешок/бумажный фильтр не установлен в пылесос, крышка пылезащитного кожуха не закроется полностью. Не прилагайте чрезмерных усилий при закрытии крышки пылезащитного кожуха. Это может привести к деформации или поломке инструмента.

ПРИМЕЧАНИЕ: При очистке от пыли не забудьте очистить отсек для пылесборного мешка / бумажного фильтра. Оставшаяся пыль и грязь в отсеке может привести к засорению губчатого фильтра или повреждению двигателя.

1. Откройте крышку пылезащитного кожуха.
► **Рис.27:** 1. Крышка пылезащитного кожуха
2. Вытяните одновременно оранжевую крышку и пылесборный мешок / бумажный фильтр.
► **Рис.28:** 1. Заглушка для пыли
3. При использовании пылесборного мешка Удалите заглушку для пыли и опорожните пылесборный мешок.
► **Рис.29:** 1. Заглушка для пыли 2. Пылесборный мешок

При использовании бумажного фильтра
Удалите заглушку для пыли и опорожните бумажный фильтр.
► **Рис.30:** 1. Заглушка для пыли 2. Бумажный фильтр

4. Установите пылесборный мешок / новый бумажный фильтр и заглушку для пыли в пылесос и закройте крышку пылезащитного кожуха.

Использование в качестве воздуходувки

⚠ВНИМАНИЕ: Не направляйте выходное отверстие инструмента на близко стоящих людей.

⚠ВНИМАНИЕ: Не используйте пылесос для накачивания предметов, например надувных плотов, мячей или других надувных изделий. Повышение частоты вращения двигателя может привести к опасной поломке вентилятора.

Установка или удаление насадки воздуходувки

Для установки насадки воздуходувки совместите выступ в гнезде насадки с пазом на вентиляционном отверстии и нажмите до щелчка.

- **Рис.31:** 1. Насадка воздуходувки

Для удаления насадки воздуходувки надавите в месте соединения вниз, вставляя верхнюю часть, как показано на рисунке.

- **Рис.32**

Обдувание

Направьте конец насадки воздуходувки на объект, который необходимо обдуть, и включите инструмент.

- **Рис.33**

ОБСЛУЖИВАНИЕ

⚠ВНИМАНИЕ: Перед проведением проверки или работ по техобслуживанию всегда проверяйте, что инструмент выключен, а блок аккумуляторов снят.

ПРИМЕЧАНИЕ: Запрещается использовать бензин, растворители, спирт и другие подобные жидкости. Это может привести к обесцвечиванию, деформации и трещинам.

Для обеспечения БЕЗОПАСНОСТИ и НАДЕЖНОСТИ оборудования ремонт, любое другое техобслуживание или регулировку необходимо производить в уполномоченных сервис-центрах Makita или сервис-центрах предприятия с использованием только сменных частей производства Makita.

Очистка

Время от времени протирайте внешнюю часть (корпус) пылесоса с помощью тряпки, смоченной мыльной водой. Также очищайте всасывающее отверстие, область крепления пылесборного мешка/бумажного фильтра и заглушку для пыли.

- **Рис.34**

Когда в фильтре скопится пыль и мощность всасывания пылесоса снизится, промойте пылесборный мешок в мыльной воде. Тщательно высушите его перед использованием. Не полностью высушенный фильтр может привести к плохому всасыванию и уменьшить срок службы мотора.

- **Рис.35**

ПРИМЕЧАНИЕ: Бумажный фильтр необходимо выбрасывать после использования.

Когда губчатый фильтр загрязнится пылью, извлеките его из пылесоса, а затем вытряхните его или промойте водой.

Снятие и установка губчатого фильтра

⚠ВНИМАНИЕ: После очистки губчатого фильтра обязательно установите его в пылесос. Если вы промывали его водой, перед установкой высушите его. Неполностью высушенный губчатый фильтр может сократить срок службы мотора.

Для удаления губчатого фильтра извлеките пылесборный мешок или бумажный фильтр, а затем зажмите и вытащите его.

- **Рис.36:** 1. Губчатый фильтр

Нажмите по всей кромке губчатого фильтра вдоль утопленной панели внутри области установки пылесборного мешка/бумажного фильтра.

- **Рис.37:** 1. Стенка с углублением

Хранение

⚠ОСТОРОЖНО: Не оставляйте блок аккумулятора и зарядное устройство в автомобиле. Температура внутри находящегося на солнце автомобиля может превысить 50 °C (122 °F). Это может привести к повреждению блока аккумулятора и выбросу жидкости, выделению дыма или возгоранию.

- **Рис.38**

⚠ОСТОРОЖНО: Не используйте зарядное устройство, не вынув его из мешка для хранения. Закупорка вентиляционного отверстия может привести к выделению дыма или возгоранию.

- **Рис.39**

⚠ОСТОРОЖНО: Не заряжайте блок аккумулятора инвертором, имеющемся в автомобиле. Это может привести к перегреву и возгоранию.

⚠ОСТОРОЖНО: Не заряжайте блок аккумулятора в автомобиле. Если блок аккумулятора подвергается воздействию температуры в диапазоне от 10 °C (50 °F) до 40 °C (104 °F), это может привести к выделению тепла, возгоранию и/или взрыву.

⚠ВНИМАНИЕ: Чтобы не споткнуться о шланг, храните его таким образом, как показано на рисунке, когда пылесос не используется.

Вы можете зацепиться ногой за несложенный шланг, что приведет к травме.

► **Рис.40:** 1. Крючок 2. Шланг

Устранение неполадок

Перед ремонтом проверьте следующее:

Признак	Что проверить	Способ крепления
Недостаточная сила всасывания	Пылесборный мешок или бумажный фильтр заполнены пылью?	Опорожните пылесборный мешок или бумажный фильтр.
	Пылесборный мешок засорен?	Вытряхните или промойте пылесборный мешок.
	Бумажный фильтр засорен?	Замените бумажный фильтр.
	Недостаточный заряд блока аккумулятора?	Зарядите блок аккумулятора.
Не работает	Недостаточный заряд блока аккумулятора?	Зарядите блок аккумулятора.
Крышка пылезащитного кожуха не закрывается	Убедитесь в том, что пылесборный мешок или бумажный фильтр установлен.	Установите пылесборный мешок или бумажный фильтр.

ПРИМЕЧАНИЕ: Не пытайтесь чинить пылесос самостоятельно.

ДОПОЛНИТЕЛЬНЫЕ ПРИНАДЛЕЖНОСТИ

⚠ВНИМАНИЕ: Данные принадлежности или приспособления рекомендуются для использования с инструментом Makita, указанным в настоящем руководстве. Использование других принадлежностей или приспособлений может привести к получению травмы. Используйте принадлежность или приспособление только по указанному назначению.

- Пылесборный мешок повышенной вместимости
- Мягкая сумка
- Оригинальный аккумулятор и зарядное устройство Makita

ПРИМЕЧАНИЕ: Некоторые элементы списка могут входить в комплект инструмента в качестве стандартных приспособлений. Они могут отличаться в зависимости от страны.

Если вам необходимо содействие в получении дополнительной информации по этим принадлежностям, свяжитесь с вашим сервис-центром Makita.

- Удлиняющая труба (прямая труба)
- Насадка
- Насадка для чистки ковра
- Щетка для чистки полок
- Угловая насадка
- Круглая щетка
- Гибкий шланг
- Бумажный фильтр
- Насадка
- Насадка для очистки сиденья
- Сопло для чистки щелей
- Циклонный уловитель
- Пылесборный мешок

Makita Europe N.V. Jan-Baptist Vinkstraat 2,
3070 Kortenberg, Belgium

Makita Corporation 3-11-8, Sumiyoshi-cho,
Anjo, Aichi 446-8502 Japan

www.makita.com

885692-989 EN, SV, NO, FI, LV, LT, ET, RU 20181115
