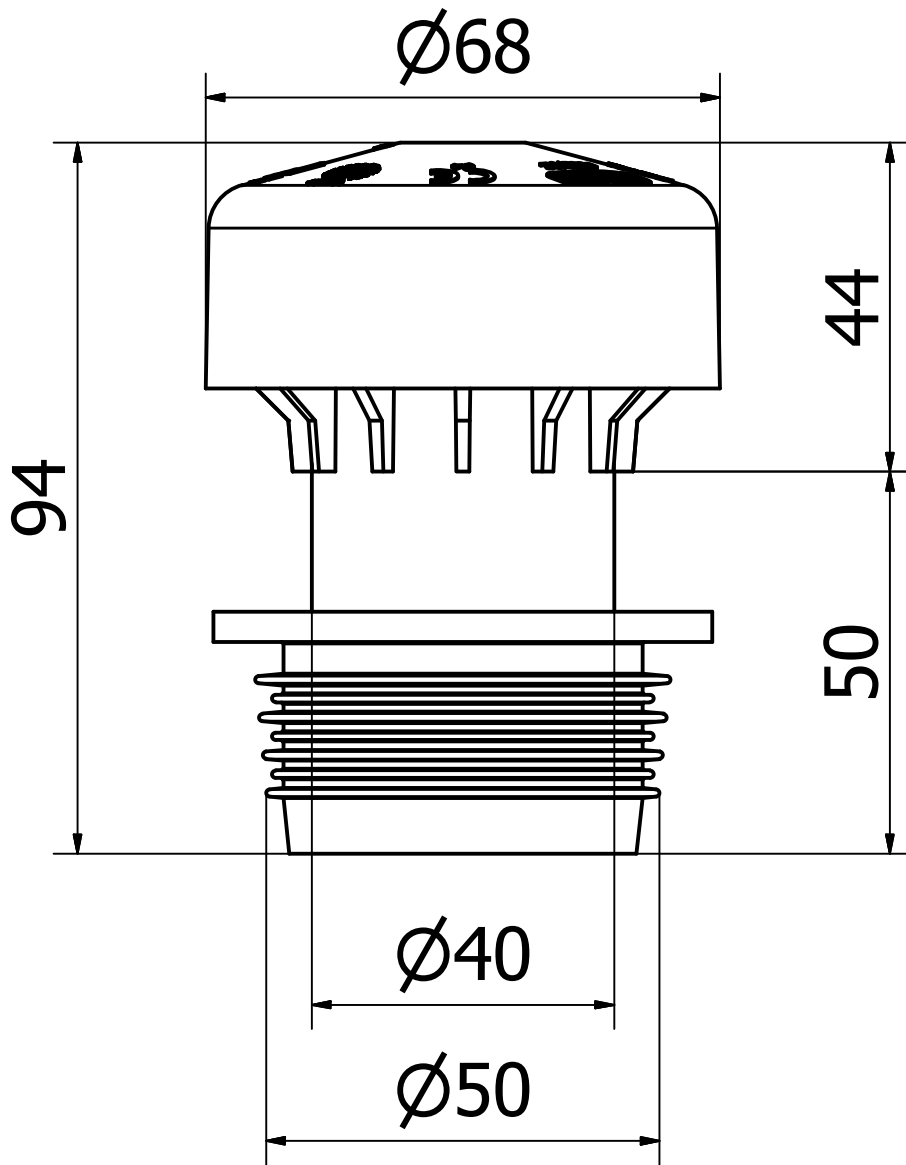


This document must not be copied without our written permission, and the contents thereof must not be imported to a third party nor be used for any unauthorized purpose. Contravention will be prosecuted. Purus AB



Den här handling får ej utan vårt medgivande kopieras. Den får ej heller delgivas annan eller eljest obehörigen användas. Överträdelse härav beivras med stöd av gällande lag. Purus AB

A4	Annotation	This drawing replace	Replaced by	Date		Page 1/(1)	Scale 1:1
 Purus AB Södra Dragongantan 15 SE-27139 YSTAD SWEDEN Ph +46 104144900 Fax +46 104144996 www.purus.se		General tolerance. ISO 2768-1	Weight (gram)	Volume (mm <sup>3</sup> )	Approved by	Date	
			N/A	N/A			
		Material	Surface treatment	Designer	Created date		
Name		Article no		Edition			
		3131162		A			