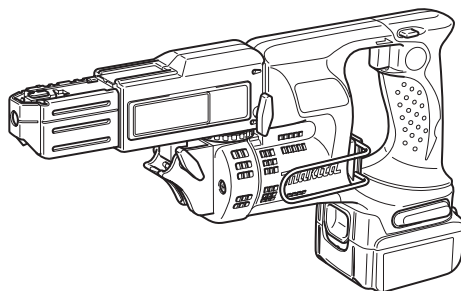




EN	Cordless Auto Feed Screwdriver	INSTRUCTION MANUAL	5
SV	Batteridrivnen skruvdragare med automatisk matning	BRUKSANVISNING	10
NO	Batteridrevet skrutrekker med automatisk mating	BRUKSANVISNING	15
FI	Akkukäyttöinen autosyöttöruuvinväännin	KÄYTTÖOHJE	20
DA	Ledningsfri skruetrækker med automatisk fremføring	BRUGSANVISNING	25
LV	Bezvada skrūvgriezis ar automātisku padevi	LIETOŠANAS INSTRUKCIJA	30
LT	Belaidis atsuktuvvas su automatinIU tiektuvvu	NAUDOJIMO INSTRUKCIJA	35
ET	Automaatse etteandega juhtmeta kruvikeeraja	KASUTUSJUHEND	40
RU	Аккумуляторный магазинный шурупoверт	РУКОВОДСТВО ПО ЭКСПЛУАТАЦИИ	45

DFR450X



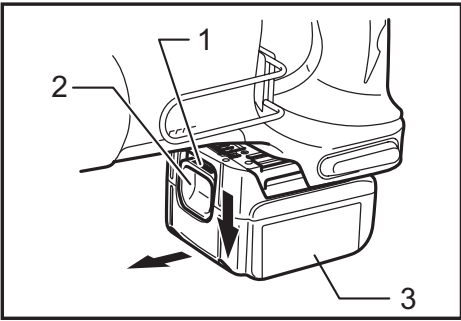


Fig.1

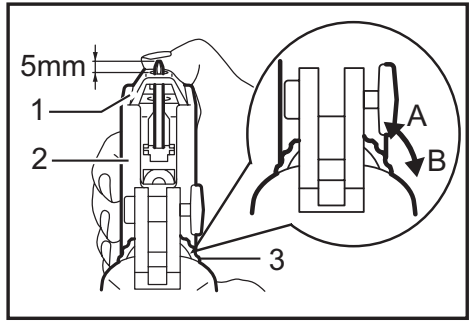


Fig.5

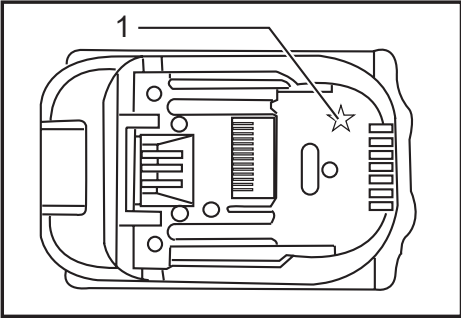


Fig.2

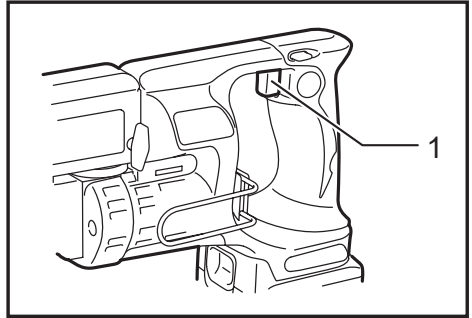


Fig.6

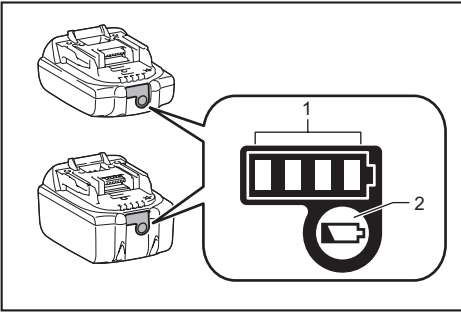


Fig.3

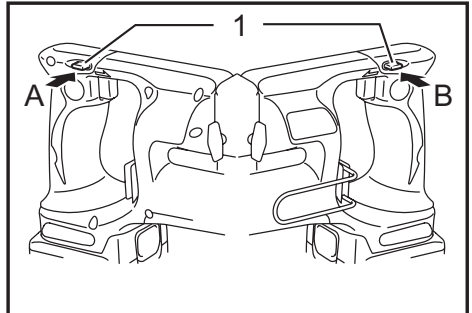


Fig.7

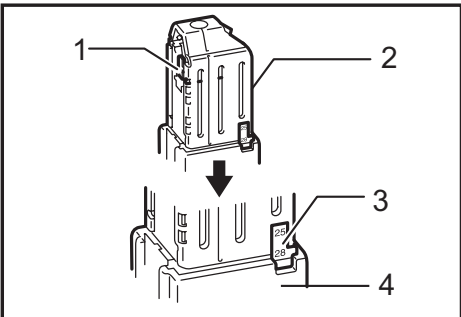


Fig.4

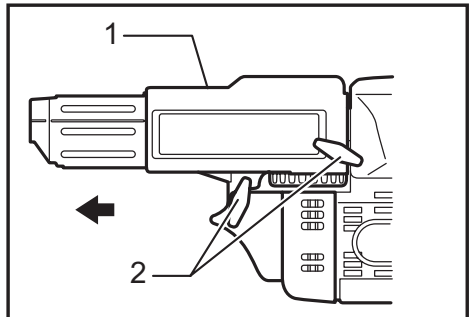


Fig.8

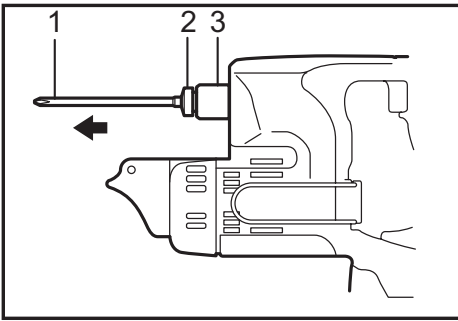


Fig.9

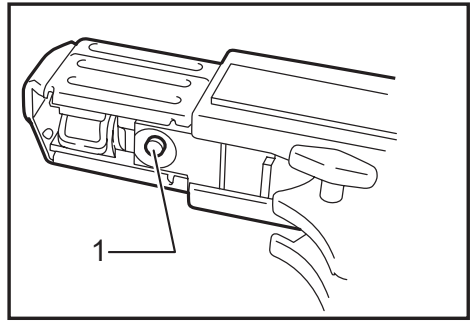


Fig.13

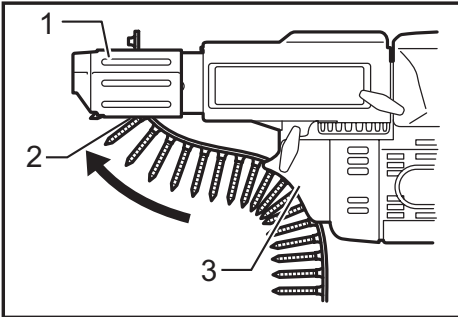


Fig.10

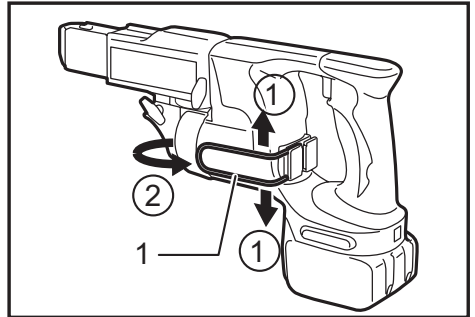


Fig.14

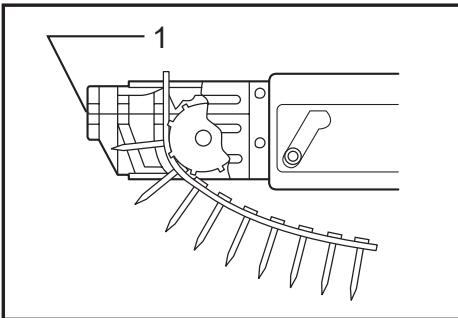


Fig.11

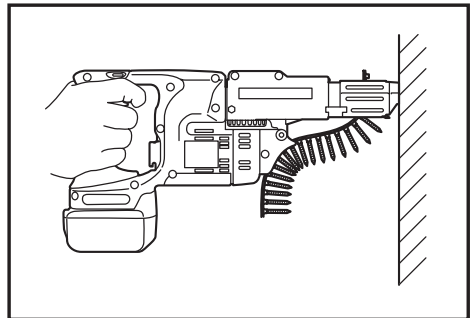


Fig.15

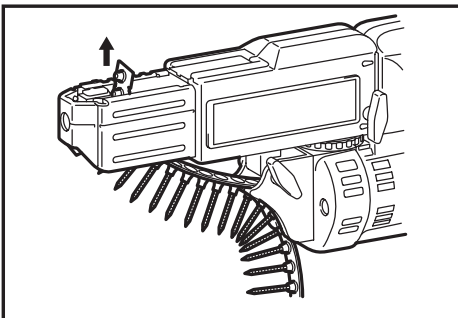


Fig.12

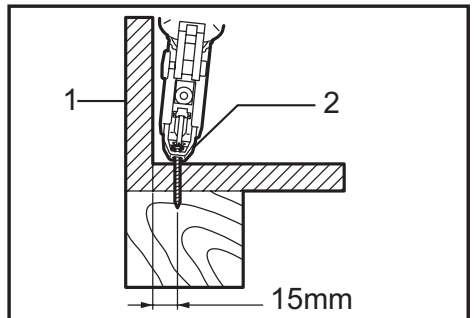


Fig.16

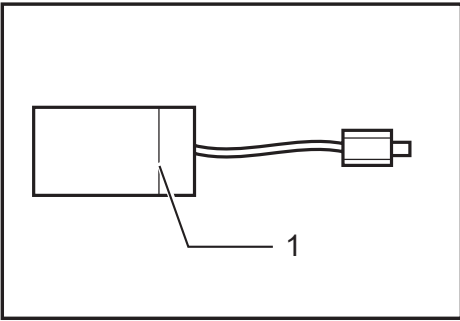


Fig.17

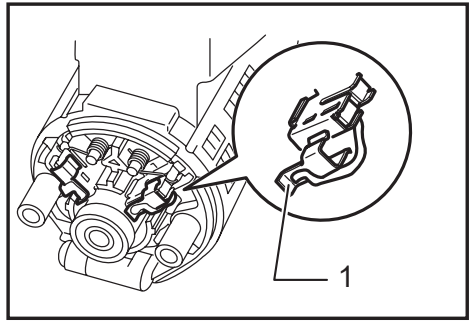


Fig.21

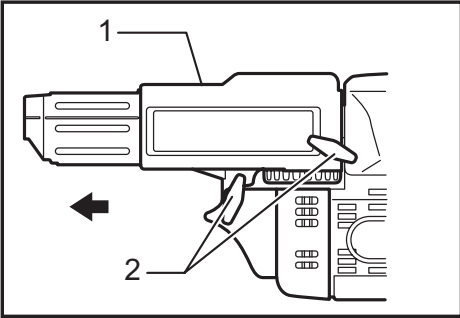


Fig.18

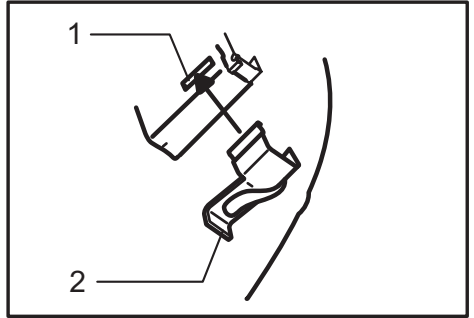


Fig.22

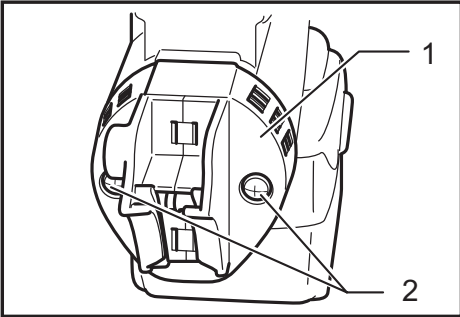


Fig.19

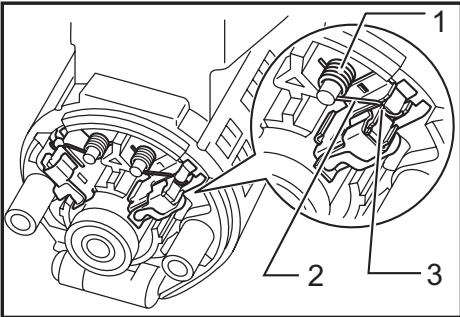


Fig.20

SPECIFICATIONS

Model	DFR450X
Screw strip	4 mm x 25 mm - 41 mm
No load speed (min ⁻¹)	4,000
Overall length	369 mm
Net weight	1.9 - 2.9 kg
Rated voltage	D.C. 18 V

- Due to our continuing program of research and development, the specifications herein are subject to change without notice.
- Specifications may differ from country to country.
- The weight may differ depending on the attachment(s), including the battery cartridge. The lightest and heaviest combination, according to EPTA-Procedure 01/2014, are shown in the table.

Applicable battery cartridge and charger

Battery cartridge	BL1815N / BL1820 / BL1820B / BL1830 / BL1830B / BL1840 / BL1840B / BL1850 / BL1850B / BL1860B
Charger	DC18RC / DC18RD / DC18RE / DC18SD / DC18SE / DC18SF / DC18SH

- Some of the battery cartridges and chargers listed above may not be available depending on your region of residence.

⚠WARNING: Only use the battery cartridges and chargers listed above. Use of any other battery cartridges and chargers may cause injury and/or fire.

Intended use

The tool is intended for screw driving in wood, metal and plastic.

Noise

The typical A-weighted noise level determined according to EN62841:

Sound pressure level ($L_{p(A)}$) : 78 dB (A)

Uncertainty (K) : 3 dB (A)

The noise level under working may exceed 80 dB (A).

NOTE: The declared noise emission value(s) has been measured in accordance with a standard test method and may be used for comparing one tool with another.

NOTE: The declared noise emission value(s) may also be used in a preliminary assessment of exposure.

⚠WARNING: Wear ear protection.

⚠WARNING: The noise emission during actual use of the power tool can differ from the declared value(s) depending on the ways in which the tool is used especially what kind of workpiece is processed.

⚠WARNING: Be sure to identify safety measures to protect the operator that are based on an estimation of exposure in the actual conditions of use (taking account of all parts of the operating cycle such as the times when the tool is switched off and when it is running idle in addition to the trigger time).

Vibration

The vibration total value (tri-axial vector sum) determined according to EN62841:

Work mode: screwdriving without impact

Vibration emission (a_h) : 2.5 m/s² or less

Uncertainty (K) : 1.5 m/s²

NOTE: The declared vibration total value(s) has been measured in accordance with a standard test method and may be used for comparing one tool with another.

NOTE: The declared vibration total value(s) may also be used in a preliminary assessment of exposure.

⚠WARNING: The vibration emission during actual use of the power tool can differ from the declared value(s) depending on the ways in which the tool is used especially what kind of workpiece is processed.

⚠WARNING: Be sure to identify safety measures to protect the operator that are based on an estimation of exposure in the actual conditions of use (taking account of all parts of the operating cycle such as the times when the tool is switched off and when it is running idle in addition to the trigger time).

EC Declaration of Conformity

For European countries only

The EC declaration of conformity is included as Annex A to this instruction manual.

General power tool safety warnings

⚠ WARNING: Read all safety warnings, instructions, illustrations and specifications provided with this power tool. Failure to follow all instructions listed below may result in electric shock, fire and/or serious injury.

Save all warnings and instructions for future reference.

The term "power tool" in the warnings refers to your mains-operated (corded) power tool or battery-operated (cordless) power tool.

Cordless screwdriver safety warnings

1. **Hold the power tool by insulated gripping surfaces, when performing an operation where the fastener may contact hidden wiring.** Fasteners contacting a "live" wire may make exposed metal parts of the power tool "live" and could give the operator an electric shock.
2. **Always be sure you have a firm footing.** Be sure no one is below when using the tool in high locations.
3. **Hold the tool firmly.**
4. **Keep hands away from rotating parts.**
5. **Do not touch the bit or the workpiece immediately after operation; they may be extremely hot and could burn your skin.**
6. **Always secure workpiece in a vise or similar hold-down device.**

SAVE THESE INSTRUCTIONS.

⚠ WARNING: DO NOT let comfort or familiarity with product (gained from repeated use) replace strict adherence to safety rules for the subject product.

MISUSE or failure to follow the safety rules stated in this instruction manual may cause serious personal injury.

Important safety instructions for battery cartridge

1. **Before using battery cartridge, read all instructions and cautionary markings on (1) battery charger, (2) battery, and (3) product using battery.**
2. **Do not disassemble battery cartridge.**
3. **If operating time has become excessively shorter, stop operating immediately.** It may result in a risk of overheating, possible burns and even an explosion.
4. **If electrolyte gets into your eyes, rinse them out with clear water and seek medical attention right away.** It may result in loss of your eyesight.
5. **Do not short the battery cartridge:**
 - (1) **Do not touch the terminals with any conductive material.**

- (2) **Avoid storing battery cartridge in a container with other metal objects such as nails, coins, etc.**
- (3) **Do not expose battery cartridge to water or rain.**

A battery short can cause a large current flow, overheating, possible burns and even a breakdown.

6. **Do not store the tool and battery cartridge in locations where the temperature may reach or exceed 50 °C (122 °F).**
7. **Do not incinerate the battery cartridge even if it is severely damaged or is completely worn out.** The battery cartridge can explode in a fire.
8. **Be careful not to drop or strike battery.**
9. **Do not use a damaged battery.**
10. **The contained lithium-ion batteries are subject to the Dangerous Goods Legislation requirements.**

For commercial transports e.g. by third parties, forwarding agents, special requirement on packaging and labeling must be observed.

For preparation of the item being shipped, consulting an expert for hazardous material is required. Please also observe possibly more detailed national regulations.

Tape or mask off open contacts and pack up the battery in such a manner that it cannot move around in the packaging.

11. **When disposing the battery cartridge, remove it from the tool and dispose of it in a safe place.** Follow your local regulations relating to disposal of battery.
12. **Use the batteries only with the products specified by Makita.** Installing the batteries to non-compliant products may result in a fire, excessive heat, explosion, or leak of electrolyte.
13. **If the tool is not used for a long period of time, the battery must be removed from the tool.**

SAVE THESE INSTRUCTIONS.

⚠ CAUTION: Only use genuine Makita batteries. Use of non-genuine Makita batteries, or batteries that have been altered, may result in the battery bursting causing fires, personal injury and damage. It will also void the Makita warranty for the Makita tool and charger.

Tips for maintaining maximum battery life

1. **Charge the battery cartridge before completely discharged.** Always stop tool operation and charge the battery cartridge when you notice less tool power.
2. **Never recharge a fully charged battery cartridge.** Overcharging shortens the battery service life.
3. **Charge the battery cartridge with room temperature at 10 °C - 40 °C (50 °F - 104 °F).** Let a hot battery cartridge cool down before charging it.
4. **Charge the battery cartridge if you do not use it for a long period (more than six months).**

FUNCTIONAL DESCRIPTION

⚠ CAUTION:

- Always be sure that the tool is switched off and the battery cartridge is removed before adjusting or checking function on the tool.

Installing or removing battery cartridge

► Fig.1: 1. Red indicator 2. Button 3. Battery cartridge

⚠ CAUTION:

- Always switch off the tool before installing or removing of the battery cartridge.
- Hold the tool and the battery cartridge firmly when installing or removing battery cartridge. Failure to hold the tool and the battery cartridge firmly may cause them to slip off your hands and result in damage to the tool and battery cartridge and a personal injury.

To remove the battery cartridge, slide it from the tool while sliding the button on the front of the cartridge. To install the battery cartridge, align the tongue on the battery cartridge with the groove in the housing and slip it into place. Insert it all the way until it locks in place with a little click. If you can see the red indicator on the upper side of the button, it is not locked completely.

⚠ CAUTION:

- Always install the battery cartridge fully until the red indicator cannot be seen. If not, it may accidentally fall out of the tool, causing injury to you or someone around you.
- Do not install the battery cartridge forcibly. If the cartridge does not slide in easily, it is not being inserted correctly.

Battery protection system (Lithium-ion battery with star marking)

► Fig.2: 1. Star marking

Lithium-ion batteries with a star marking are equipped with a protection system. This system automatically cuts off power to the tool to extend battery life. The tool will automatically stop during operation if the tool and/or battery are placed under one of the following conditions:

- Overloaded:

The tool is operated in a manner that causes it to draw an abnormally high current. In this situation, release the trigger switch on the tool and stop the application that caused the tool to become overloaded. Then pull the trigger switch again to restart.

If the tool does not start, the battery is overheated. In this situation, let the battery cool before pulling the trigger switch again.
- Low battery voltage:






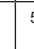

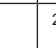






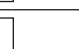



The remaining battery capacity is too low and the tool will not operate. In this situation, remove and recharge the battery.

Indicating the remaining battery capacity

Only for battery cartridges with the indicator

► Fig.3: 1. Indicator lamps 2. Check button

Press the check button on the battery cartridge to indicate the remaining battery capacity. The indicator lamps light up for a few seconds.

Indicator lamps			Remaining capacity
 Lighted	 Off	 Blinking	
			75% to 100%
			50% to 75%
			25% to 50%
			0% to 25%
			Charge the battery.
			The battery may have malfunctioned.
			

NOTE: Depending on the conditions of use and the ambient temperature, the indication may differ slightly from the actual capacity.

Setting for desired screw length

► Fig.4: 1. Lever 2. Stopper base 3. Plate 4. Casing

There are 3 positive-lock screw length settings. To obtain the desired setting, pull out the stopper base while depressing the lever until you see the number of the desired screw length (indicated on the plate) appear to rest on the very top edge of the casing. See the table below for the relation between the number indicated on the plate and the respective screw length ranges.

Number indicated on the plate	Screw length range (mm)
25/28	25 - 28
32	28 - 35
40	35 - 41

Adjusting the driving depth

Depress the stopper base as far as it will go. While keeping it in this position, turn the adjusting knob until the bit tip projects approx. 5 mm from the stopper base. Drive a trial screw. If the screw head projects above the driving surface, turn the adjusting knob in the A direction; if the screw head is countersunk, turn the adjusting knob in the B direction.

► Fig.5: 1. Stopper base 2. Casing 3. Adjusting knob

Switch action

► **Fig.6:** 1. Switch trigger

⚠ CAUTION:

- Before inserting the battery cartridge into the tool, always check to see that the switch trigger actuates properly and returns to the "OFF" position when released.

To start the tool, simply pull the switch trigger. Release the switch trigger to stop.

Reversing switch action

► **Fig.7:** 1. Reversing switch lever

This tool has a reversing switch to change the direction of rotation. Depress the reversing switch lever from the A side for clockwise rotation or from the B side for counterclockwise rotation.

When the reversing switch lever is in the neutral position, the switch trigger cannot be pulled.

⚠ CAUTION:

- Always check the direction of rotation before operation.
- Use the reversing switch only after the tool comes to a complete stop. Changing the direction of rotation before the tool stops may damage the tool.
- When not operating the tool, always set the reversing switch lever to the neutral position.

ASSEMBLY

⚠ CAUTION:

- Always be sure that the tool is switched off and the battery cartridge is removed before carrying out any work on the tool.

Installing or removing the bit

Loosen the thumb screws which secure the casing. Pull out the casing in the direction of the arrow.

► **Fig.8:** 1. Casing 2. Thumb screws

Press the dust cover toward the plane bearing and pull out the bit. If the dust cover cannot be moved as far as the plane bearing, try it again after turning the bit slightly.

To install the bit, insert it into the socket while turning it slightly. After installing, always make sure that the bit is securely held in place by trying to pull it out.

► **Fig.9:** 1. Bit 2. Dust cover 3. Plane bearing

Installing screw strip

► **Fig.10:** 1. Feeder box 2. Screw strip 3. Screw guide

► **Fig.11:** 1. Driving position

Insert the screw strip through the screw guide. Then insert it through the feeder box until the first screw reaches the position next to the driving position.

Removing screw strip

To remove the screw strip, just pull it out in the direction of the arrow.

► **Fig.12**

If you depress the reverse button, you can pull out the screw strip in the reverse direction of the arrow.

► **Fig.13:** 1. Reverse button

Carry hook

The carry hook is convenient for temporarily hooking the tool. It can be installed on either side of the tool. When removing the carry hook, widen it by pressing its right ends ON BOTH SIDES in the directions of arrow (1) and raise it in the direction of the arrow (2).

► **Fig.14:** 1. Hook

OPERATION

Driving operation

► **Fig.15**

Switch on the tool by pulling the switch trigger. Hold the tool squarely and firmly up against the driving surface. A screw will be automatically carried to the driving position and fastened.

⚠ CAUTION:

- Always check the bit carefully for wear before driving operations. Replace a worn bit or poor fastening may result.
- Always hold the tool squarely against the driving surface. Holding it at an angle may damage the screw heads and cause wear on the bit. This may also lead to poor fastening.
- Always keep the tool firmly against the driving surface until the driving is over. Failure to do so may cause insufficient fastening of screws.
- Be careful not to drive a screw onto another screw already fastened.
- Do not operate the tool without screws. It will damage the driving surface.
- If the feeder box does not work smoothly when driving screws, spray car wax (spray type) on the sliding surfaces. Never lubricate it.

Driving in corner

► **Fig.16:** 1. Wall 2. Stopper base

This tool can be used to drive at a position 15 mm away from the wall as shown in the figure.

⚠ CAUTION:

- Driving at a position closer than 15 mm to the wall or driving with the stopper base in contact with the wall may damage the screw heads and cause wear on the bit. This may also lead to poor fastening of screws and malfunction of the tool.

MAINTENANCE

⚠ CAUTION:

- Always be sure that the tool is switched off and the battery cartridge is removed before attempting to perform inspection or maintenance.
- Never use gasoline, benzine, thinner, alcohol or the like. Discoloration, deformation or cracks may result.

NOTE:

- Some items in the list may be included in the tool package as standard accessories. They may differ from country to country.

Replacing carbon brushes

► Fig.17: 1. Limit mark

Replace when they wear down to the limit mark. Keep the carbon brushes clean and free to slip in the holders. Both carbon brushes should be replaced at the same time. Use only identical carbon brushes.

Loosen the thumb screws which secure the casing. Pull out the casing in the direction of the arrow.

► Fig.18: 1. Casing 2. Thumb screws

Use a screwdriver to remove two screws then remove the front cover.

► Fig.19: 1. Front cover 2. Screws

Raise the arm part of the spring and then place it in the recessed part of the housing with a slotted bit screwdriver of slender shaft or the like.

► Fig.20: 1. Spring 2. Arm 3. Recessed part

Use pliers to remove the carbon brush caps of the carbon brushes. Take out the worn carbon brushes, insert the new ones and replace the carbon brush caps in reverse.

► Fig.21: 1. Carbon brush cap

Make sure that the carbon brush caps have fit into the holes in brush holders securely.

► Fig.22: 1. Hole 2. Carbon brush cap

Reinstall the front cover and tighten two screws securely. To maintain product SAFETY and RELIABILITY, repairs, any other maintenance or adjustment should be performed by Makita Authorized Service Centers, always using Makita replacement parts.

OPTIONAL ACCESSORIES

⚠ CAUTION:

- These accessories or attachments are recommended for use with your Makita tool specified in this manual. The use of any other accessories or attachments might present a risk of injury to persons. Only use accessory or attachment for its stated purpose.

If you need any assistance for more details regarding these accessories, ask your local Makita Service Center.

- Drywall screw strip
- Phillips bit
- Various type of Makita genuine batteries and chargers
- Plastic carrying case

SPECIFIKATIONER

Modell	DFR450X
Skrubband	4 mm x 25 mm - 41 mm
Obelastat varvtal (min ⁻¹)	4 000
Längd	369 mm
Vikt	1,9 - 2,9 kg
Märkspänning	18 V likström

- På grund av vårt pågående program för forskning och utveckling kan dessa specifikationer ändras utan föregående meddelande.
- Specifikationer kan variera mellan olika länder.
- Vikten kan variera beroende på tillbehören, inklusive batterikassett. Den lättaste och den tyngsta kombinationen enligt EPTA-procedur 01/2014 visas i tabellen.

Tillgänglig batterikassett och laddare

Batterikassett	BL1815N / BL1820 / BL1820B / BL1830 / BL1830B / BL1840 / BL1840B / BL1850 / BL1850B / BL1860B
Laddare	DC18RC / DC18RD / DC18RE / DC18SD / DC18SE / DC18SF / DC18SH

- Vissa av batterikassetterna och laddarna på listan ovan kanske inte finns tillgängliga i din region.

⚠ VARNING: Använd endast batterikassetter och laddare från listan ovan. Användning av andra batterikassetter och laddare kan orsaka personskada och/eller brand.

Användningsområde

Verktøget är avsett för skruvdragning i trä, metall och plast.

Buller

Typiska A-vägda bullernivå är mätt enligt EN62841:

Ljudtrycksnivå (L_{pA}): 78 dB (A)

Måttolerans (K): 3 dB (A)

Bullernivån vid arbete kan överstiga 80 dB (A).

OBS: Det deklarerade bullervärdet har uppmätts i enlighet med standardtestmetoden och kan användas för jämförandet av en maskin med en annan.

OBS: Det deklarerade bulleremissionsvärdet kan också användas i en preliminär bedömning av exponering för vibration.

⚠ VARNING: Använd hörselskydd.

⚠ VARNING: Bulleremissionen under faktisk användning av maskinen kan skilja sig från det deklarerade värdet, beroende på hur maskinen används och särskilt vilken typ av arbetsstycke som behandlas.

⚠ VARNING: Var noga med att identifiera säkerhetsåtgärder för att skydda användaren, vilka är grundade på en uppskattning av graden av exponering för vibrationer under de faktiska användningsförhållandena, (ta, förutom avtryckartiden, med alla delar av användarcykeln i beräkningen, som till exempel tiden då maskinen är avstängd och när den går på tomgång).

Vibration

Vibrationens totalvärde (tre-axlars vektorsumma) mätt enligt EN62841:

Arbetsläge: skruvdragning utan slag

Vibrationsemission (a_n): 2,5 m/s² eller lägre

Måttolerans (K): 1,5 m/s²

OBS: Det deklarerade totala vibrationsvärdet har uppmätts i enlighet med standardtestmetoden och kan användas för jämförandet av en maskin med en annan.

OBS: Det deklarerade totala vibrationsvärdet kan också användas i en preliminär bedömning av exponering för vibration.

⚠ VARNING: Vibrationsemissionen under faktisk användning av maskinen kan skilja sig från det deklarerade värdet, beroende på hur maskinen används och särskilt vilken typ av arbetsstycke som behandlas.

⚠ VARNING: Var noga med att identifiera säkerhetsåtgärder för att skydda användaren, vilka är grundade på en uppskattning av graden av exponering för vibrationer under de faktiska användningsförhållandena, (ta, förutom avtryckartiden, med alla delar av användarcykeln i beräkningen, som till exempel tiden då maskinen är avstängd och när den går på tomgång).

EG-försäkran om överensstämmelse

Gäller endast inom EU

EG-försäkran om överensstämmelse inkluderar som bilaga A till denna bruksanvisning.

Allmänna säkerhetsvarningar för maskiner

⚠ VARNING: Läs alla säkerhetsvarningar, anvisningar, illustrationer och specifikationer som medföljer det här maskinen. Underlåtenhet att följa instruktionerna kan leda till elstötar, brand och/eller allvarliga personskador.

Spara alla varningar och instruktioner för framtida referens.

Termen "maskin" som anges i varningarna hänvisar till din eldrivna maskin (sladdanslut) eller batteridriven maskin (sladdlös).

Säkerhetsvarningar för batteridriven skruvdragare

1. Håll maskinen i de isolerade ytorna om det finns risk för att skruvdragaren kan komma i kontakt med en dold elkabel. Om skruvdragaren kommer i kontakt med en strömförande ledning blir maskinens metalldelar strömförande och kan ge operatören en elektrisk stöt.
2. Se till att alltid ha ordentligt fotfäste. Se till att ingen står under dig när verktyget används på hög höjd.
3. Håll verktyget i ett fast grepp.
4. Håll händerna på behörigt avstånd från roterande delar.
5. Rör inte vid borr eller arbetsstycke omedelbart efter användning eftersom de kan vara extremt varma och orsaka brännskador.
6. Fäst alltid arbetsstycken i ett stöd eller liknande fasthållningsanordningar.

SPARA DESSA ANVISNINGAR.

⚠ VARNING: GLÖM INTE att också fortsättningsvis strikt följa säkerhetsanvisningarna för maskinen även efter att du blivit van att använda den.

Vid FELAKTIG HANTERING av maskinen eller om inte säkerhetsanvisningarna i denna bruksanvisning följs kan följden bli allvarliga personskador.

Viktiga säkerhetsanvisningar för batterikassetten

1. Innan batterikassetten används ska alla instruktioner och varningsmärken på (1) batteriladdaren, (2) batteriet och (3) produkten läsas.
2. Montera inte isär batterikassetten.
3. Om drifttiden blivit avsevärt kortare ska användningen avbrytas omedelbart. Det kan uppstå överhettning, brännskador och t o m en explosion.
4. Om du får elektrolyt i ögonen ska de sköljas med rent vatten och läkare uppsöks omedelbart. Det finns risk för att synen förloras.
5. Kortslut inte batterikassetten.
 - (1) Rör inte vid polerna med något strömförande material.

(2) Undvik att förvara batterikassetten tillsammans med andra metallobjekt som t.ex. spikar, mynt o.s.v.

(3) Skydda batteriet mot vatten och regn. En batterikortslutning kan orsaka ett stort strömflöde, överhettning, brand och maskinhaveri.

6. Förvara inte maskinen och batterikassetten på platser där temperaturen kan nå eller överstiga 50 °C.
7. Bränn inte upp batterikassetten även om den är svårt skadad eller helt utsliten. Batterikassetten kan explodera i öppen eld.
8. Var försiktig så att du inte råkar tappa batteriet och utsätt det inte för stötar.
9. Använd inte ett skadat batteri.
10. De medföljande litiumjonbatterierna är föremål för kraven i gällande lagstiftning för farligt gods. För kommersiella transporter (av t.ex. tredje parter som speditorsfirmor) måste de särskilda transportkrav som anges på emballaget och etiketter iakttagas. För att förbereda den produkt som ska avsändas krävs att du konsulterar en expert på riskmaterial. Var också uppmärksam på att det i ditt land kan finnas ytterligare föreskrifter att följa. Tejpa över eller maskera blottade kontakter och packa batteriet på sådant sätt att det inte kan röra sig fritt i förpackningen.
11. När batterikassetten ska kasseras måste den tas bort från maskinen och kasseras på ett säkert sätt. Följ lokala föreskrifter beträffande avfallshandtering av batteriet.
12. Använd endast batterierna med de produkter som specificerats av Makita. Att använda batterierna med ej godkända produkter kan leda till brand, överdriven värme, explosion eller utläckande elektrolyt.
13. Om maskinen inte används under en lång tid måste batteriet tas bort från maskinen.

SPARA DESSA ANVISNINGAR.

⚠ FÖRSIKTIGT: Använda endast äkta Makita-batterier. Användning av oäkta Makita-batterier eller batterier som har manipulerats kan leda till person- och utrustningsskador eller till batteriet fattar eld. Det upphäver också Makitas garanti för verktyget och laddaren.

Tips för att uppnå batteriets maximala livslängd

1. Ladda batterikassetten innan den är helt urladdad. Stanna alltid maskinen och ladda batterikassetten när du märker att maskinen blir svagare.
2. Ladda aldrig en fulladdad batterikasset. Överladdning förkortar batteriets livslängd.
3. Ladda batterikassetten vid en rumstemperatur på 10 °C - 40 °C. Låt en varm batterikasset svalna innan den laddas.
4. Ladda batterikassetten om du inte har använt den på länge (mer än sex månader).

FUNKTIONSBESKRIVNING

⚠ FÖRSIKTIGT:

- Se alltid till att maskinen är avstängd och batterikassetten borttagen innan du justerar eller kontrollerar maskinens funktioner.

Montera eller demontera batterikassetten

► Fig.1: 1. Röd indikator 2. Knapp 3. Batterikassett

⚠ FÖRSIKTIGT:

- Stäng alltid av maskinen innan du monterar eller tar bort batterikassetten.
- **Håll stadigt i maskinen och batterikassetten när du installerar eller tar bort batterikassetten.** Om du inte håller stadigt i maskinen och batterikassetten kan de halka ur dina händer och skadas samt orsaka personskada.

Ta bort batterikassetten genom att skjuta ner knappen på kassetten framsida samtidigt som du drar ut batterikassetten.

Sätt i batterikassetten genom att rikta in tungan på batterikassetten mot spåret i höljet och skjut den på plats. Tryck in batterikassetten ordentligt tills den låser fast med ett klick. Om du kan se den röda indikatorn på knappens ovansida är batterikassetten inte låst ordentligt.

⚠ FÖRSIKTIGT:

- Sätt alltid i batterikassetten helt tills den röda indikatorn inte längre syns. I annat fall kan den oväntat falla ur maskinen och skada dig eller någon annan.
- Montera inte batterikassetten med våld. Om kassetten inte lätt glider på plats är den felisatt.

Batteriskyddssystem (litium-ion-batteri med stjärnmarkering)

► Fig.2: 1. Stjärnmarkering

Litium-ion-batterier med en stjärnmarkering är utrustade med ett skyddssystem. Detta system bryter automatiskt strömmen till maskinen för att förlänga batteriets livslängd.

Maskinen stannar automatiskt under användningen om maskinen och/eller batteriet hamnar i en av följande situationer:

- **Överbelastad:**
Maskinen används på ett sätt som orsakar att den förbrukar onormalt mycket ström. I detta läge ska du släppa avtryckaren på maskinen och stoppa handlingen som orsakar maskinen att bli överbelastad. Tryck sedan in avtryckaren igen för att starta om. Om maskinen inte startar är batteriet överhettat. I detta läge ska du låta batteriet svalna innan du trycker in avtryckaren igen.
- **Batterispänningen faller:**
Den kvarvarande batterikapaciteten är för låg och maskinen fungerar inte. I detta läge tar du bort batteriet och laddar det.

Indikerar kvarvarande batterikapacitet

Endast för batterikassetter med indikator

► Fig.3: 1. Indikatorlampor 2. Kontrollknapp

Tryck på kontrollknappen på batterikassetten för att se kvarvarande batterikapacitet. Indikatorlamporna lyser i ett par sekunder.

Indikatorlampor			Kvarvarande kapacitet
■ Upplyst	□ Av	◐ Blinkar	
■ ■ ■ ■			75% till 100%
■ ■ ■ □			50% till 75%
■ ■ □ □			25% till 50%
■ □ □ □			0% till 25%
◐ □ □ □			Ladda batteriet.
■ ■ □ □		↑ ↓	Batteriet kan ha skadats.
□ □ ■ ■			

OBS: Beroende på användningsförhållanden och den omgivande temperaturen kan indikationen skilja sig lätt från den faktiska batterikapaciteten.

Inställning för önskad skruvlängd

► Fig.4: 1. Spak 2. Djupanslag 3. Platta 4. Kåpa

Det finns 3 fasta inställningslägen för skruvlängden. Välj önskad inställning genom att dra ut djupanslaget medan du trycker in reglaget tills du ser rätt skruvlängd (siffran på plattan) mot kåpens övre kant.

Nedanstående tabell visar sambandet mellan siffrorna på plattan och respektive skruvlängdsintervall.

Siffra på plattan	Skruvlängdsintervall (mm)
25/28	25 - 28
32	28 - 35
40	35 - 41

Inställning av borr djup

Tryck in djupanslaget så långt det går. Medan du håller kvar detta läge vrids du inställningsratten tills spetsen på bitset sticker ut ca 5 mm från djupanslaget. Skruva i en provskruv. Om skruvhuvudet sticker ut från ytan vrids du inställningsratten i riktning A eller om skruven är för djupt idragen vrids du inställningsratten i riktning B.

► Fig.5: 1. Djupanslag 2. Kåpa 3. Inställningsknapp

Avtryckarens funktion

► **Fig.6:** 1. Avtryckarknapp

⚠ FÖRSIKTIGT:

- Innan du sätter i batterikassetten i maskinen ska du kontrollera att avtryckaren fungerar och återgår till läget "OFF" när du släpper den.

Tryck in avtryckaren för att starta maskinen. Släpp avtryckaren för att stoppa maskinen.

Reverseringsknappens funktion

► **Fig.7:** 1. Reverseringsknapp

Denna maskin har en reverseringsknapp för att byta rotationsriktning. Tryck in reverseringsknappen från sidan A för medurs rotation och från sidan B för moturs rotation.

När reverseringsknappen är i neutralt läge fungerar inte avtryckaren.

⚠ FÖRSIKTIGT:

- Kontrollera alltid rotationsriktningen före användning.
- Använd endast reverseringsknappen när maskinen stannat helt. Maskinen kan skadas om du byter rotationsriktning medan den fortfarande roterar.
- Placera alltid reverseringsknappen i neutralt läge när du inte använder maskinen.

MONTERING

⚠ FÖRSIKTIGT:

- Se alltid till att maskinen är avstängd och batterikassetten borttagen innan du underhåller maskinen.

Montering eller demontering av bitar

Lossa vingskruvarna som fäster kåpan. Dra ut kåpan i pilens riktning.

► **Fig.8:** 1. Kåpa 2. Tumskruvar

Tryck dammskyddet mot lagret och dra ut bitset. Vrid bitset en aning om dammskyddet inte kan flyttas ända till lagret och försök sedan igen.

Bitset monteras genom att föra in det i hylsan medan den vrids runt en aning. Kontrollera alltid efter monteringen att bitset är ordentligt fäst genom att försöka dra ut det.

► **Fig.9:** 1. Bits 2. Dammkåpa 3. Lager

Montering av bandad skruv

► **Fig.10:** 1. Matarhus 2. Skruvband 3. Skruvguide

► **Fig.11:** 1. Skruvläget

Sätt in skruvbandet genom skruvguiden. Dra sedan bandet genom matarhuset tills första skruven når läget närmast skruvläget.

Demontering av skruvband

Ta bort skruvbandet genom att helt enkelt dra det i pilens riktning.

► **Fig.12**

Tryck in reverseringsknappen om du vill dra ut bandet i pilens motsatta riktning.

► **Fig.13:** 1. Backknapp

Bärkrok

Kroken är praktisk att använda när du vill hänga upp verktyget temporärt. Kroken kan monteras på endera sidan av verktyget.

När du vill ta bort kroken vidgar du den genom att trycka ner högerändarna PÅ BÅDA SIDORNA i pilens riktning (1) och sedan lyfta upp den i pilens riktning (2).

► **Fig.14:** 1. Krok

ANVÄNDNING

Användning

► **Fig.15**

Tryck in avtryckaren för att starta maskinen. Håll maskinen vinkelrätt och stadigt upp mot arbetsytan. Skruven matas automatiskt fram till skruvläget och dras fast.

⚠ FÖRSIKTIGT:

- Kontrollera alltid noga om det finns tecken på slitage på bitset innan du använder maskinen. Slitna bits ska bytas ut. I annat fall kan du få ett dåligt åtdragningsresultat.
- Håll alltid maskinen vinkelrätt mot arbetsstyckets yta. Att vinkla maskinen kan skada skruvhuvudet och orsaka slitage på bitset. Det kan också leda till dålig åtdragningsresultat.
- Håll alltid maskinen stadigt mot underlaget tills iskruvningen är klar. Infästningen kan i annat fall bli dålig.
- Var försiktig så att du inte skruvar på en plats där det redan sitter en skruv.
- Använd inte verktyget utan skruvar. Det skadar arbetsytan.
- Spreja på bilvax (sprej) på glidytorna om matarhuset inte fungerar friktionsfritt under skruvdragningen. Smörj aldrig matarhuset.

Skruvning i hörn

► **Fig.16:** 1. Vägg 2. Djupanslag

Det här verktyget kan användas för skruvdragning så nära som 15 mm från en vägg, se figuren.

⚠ FÖRSIKTIGT:

- Skruvdragning på ett mindre avstånd än 15 mm eller skruvdragning med djupanslaget i kontakt med väggen, kan orsaka skador på skruvhuvudet och slitage på bitset. Det kan också leda till att skruven får sämre hållfasthet eller att maskinen fungerar sämre.

UNDERHÅLL

FÖRSIKTIGT:

- Se alltid till att maskinen är avstängd och batterikassetten borttagen innan inspektion eller underhåll utförs.
- Använd inte bensin, thinner, alkohol eller liknande. Missfärgning, deformation eller sprickor kan uppstå.

OBS:

- Några av tillbehören i listan kan vara inkluderade i maskinpaketet som standardtillbehör. De kan variera mellan olika länder.

Byte av kolborstar

► Fig.17: 1. Slitmarkering

Byt dem när de är nedslitna till slitagemarkeringen. Håll kolborstarna rena så att de lätt kan glida in i hållarna. Båda kolborstarna ska bytas ut samtidigt. Använd endast identiska kolborstar.

Lossa vingskruvarna som fäster kåpan. Dra ut kåpan i pilens riktning.

► Fig.18: 1. Kåpa 2. Tumskrubar

Skruva ur de två skruvarna med en skruvmejsel och ta sedan av den främre kåpan.

► Fig.19: 1. Frontkåpa 2. Skruvar

Lyft armdelen på fjädern och placera den i den ned-sänkta delen av huset med en spårskruvmejsel med smalt skaft eller liknande.

► Fig.20: 1. Fjäder 2. Arm 3. Försänkt del

Använd en tång för att ta bort locken till kolborstarna. Ta ur de utslitna kolborstarna, montera nya och sätt tillbaka kolborstarnas lock.

► Fig.21: 1. Kolborstelock

Se till att kolborstarnas lock passas in ordentligt i hålen i hållarna.

► Fig.22: 1. Hål 2. Kolborstelock

Sätt tillbaka den främre kåpan och dra åt de två skruvarna ordentligt.

För att upprätthålla produktens SÄKERHET och TILLFÖRLITLIGHET bör allt underhålls- och justeringsarbete utföras av ett auktoriserat Makita servicecenter och med reservdelar från Makita.

VALFRIA TILLBEHÖR

FÖRSIKTIGT:

- Dessa tillbehör och tillsatser rekommenderas för användning tillsammans med den Makita-maskin som denna bruksanvisning avser. Om andra tillbehör eller tillsatser används kan det uppstå risk för personskador. Använd endast tillbehören eller tillsatserna för de syften de är avsedda för.

Kontakta ditt lokala Makita servicecenter om du behöver ytterligare information om dessa tillbehör.

- Bandad gipsskruv
- Phillipsbits
- Olika typer av originalbatterier och -laddare från Makita
- Förvaringsväska av plast

TEKNISKE DATA

Modell	DFR450X
Skruebånd	4 mm x 25 mm - 41 mm
Hastighet uten belastning (min ⁻¹)	4 000
Total lengde	369 mm
Nettovekt	1,9 - 2,9 kg
Merkespenning	DC 18 V

- På grunn av vårt kontinuerlige forsknings- og utviklingsprogram kan spesifikasjonene som oppgis i dette dokumentet endres uten varsel.
- Spesifikasjonene kan variere fra land til land.
- Vekten kan variere avhengig av tilbehøret/tilbehørene, inkludert batteriet. Den letteste og tyngste kombinasjonen, i henhold til EPTA-prosedyre 01/2014, vises i tabellen.

Passende batteri og lader

Batteriinnsett	BL1815N / BL1820 / BL1820B / BL1830 / BL1830B / BL1840 / BL1840B / BL1850 / BL1850B / BL1860B
Lader	DC18RC / DC18RD / DC18RE / DC18SD / DC18SE / DC18SF / DC18SH

- Noen av batteriene og laderne som er opplistet ovenfor er kanskje ikke tilgjengelige, avhengig av hvor du bor.

⚠ ADVARSEL: Bruk kun de batteriene og laderne som er opplistet ovenfor. Bruk av andre batterier og ladere kan føre til personskader og/eller brann.

Beregnet bruk

Maskinen er beregnet til skruing i tre, metall og plast.

Støy

Typisk A-vektet lydtryknivå er bestemt i henhold til EN62841:

Lydtryknivå (L_{pA}): 78 dB (A)

Usikkerhet (K): 3 dB (A)

Støynivået under arbeid kan overskride 80 dB (A).

MERK: Den/de oppgitte verdien(e) for genererte vibrasjoner har blitt målt i henhold til standard testmetoder, og kan bli brukt til å sammenligne ett verktøy med et annet.

MERK: Den/de angitte verdien(e) for de genererte vibrasjonene kan også brukes til en foreløpig vurdering av eksponeringen.

⚠ ADVARSEL: Bruk hørselsvern.

⚠ ADVARSEL: De genererte vibrasjonene ved faktisk bruk av elektroverktøyet kan avvike fra den/de angitte vibrasjonsverdien(e), avhengig av hvordan verktøyet brukes.

⚠ ADVARSEL: Sørg for å identifisere vernetiltak for å beskytte operatøren, som er basert på et estimat av eksponeringen under de faktiske bruksforholdene (idet det tas hensyn til alle deler av driftssyklusen, dvs. hvor lenge verktøyet er slått av, hvor lenge det går på tomgang og hvor lenge startbryteren faktisk holdes trykket).

Vibrasjon

Den totale vibrasjonsverdien (triaksial vektorsum) bestemt i henhold til EN62841:

Arbeidsmodus: skrutrekking uten slag

Genererte vibrasjoner (a_w): 2,5 m/s² eller mindre

Usikkerhet (K): 1,5 m/s²

MERK: Den/de oppgitte verdien(e) for totalt genererte vibrasjoner har blitt målt i henhold til standard testmetoder, og kan bli brukt til å sammenligne ett verktøy med et annet.

MERK: Den/de angitte verdien(e) for totalt genererte vibrasjoner kan også brukes til en foreløpig vurdering av eksponeringen.

⚠ ADVARSEL: De genererte vibrasjonene ved faktisk bruk av elektroverktøyet kan avvike fra den/de angitte vibrasjonsverdien(e), avhengig av hvordan verktøyet brukes og spesielt i forhold til arbeidsstykket som blir behandlet.

⚠ ADVARSEL: Sørg for å identifisere vernetiltak for å beskytte operatøren, som er basert på et estimat av eksponeringen under de faktiske bruksforholdene (idet det tas hensyn til alle deler av driftssyklusen, dvs. hvor lenge verktøyet er slått av, hvor lenge det går på tomgang og hvor lenge startbryteren faktisk holdes trykket).

EFs samsvarserklæring

Gjelder kun for land i Europa

EFs samsvarserklæring er lagt til som vedlegg A i denne bruksanvisningen.

Generelle advarsler angående sikkerhet for elektroverktøy

⚠ ADVARSEL: Les alle sikkerhetsadvarsler, instruksjoner, illustrasjoner og spesifikasjoner som følger med dette elektroverktøyet. Hvis ikke alle instruksjonene nedenfor følges, kan det forekomme elektrisk støt, brann og/eller alvorlig skade.

Oppbevar alle advarsler og instruksjoner for senere bruk.

Uttrykket «elektrisk verktøy» i advarslene refererer både til elektriske verktøy (med ledning) tilkoblet strømmenettet, og batteridrevne verktøy (uten ledning).

Sikkerhetsanvisninger for trådløse skrutrekker

1. Hold maskinen i de isolerte gripeflatene der festemidlet kan komme i kontakt med skjulte ledninger under arbeidet. Hvis skruer eller bolter kommer i kontakt med en strømførende ledning, kan metalldelene på det elektriske verktøyet bli strømførende og føre til at brukeren får støt.
2. Pass på at du alltid har godt fotfeste. Forviss deg om at ingen står under deg når du jobber høyt over bakken.
3. Hold godt fast i verktøyet.
4. Hold hendene unna roterende deler.
5. Ikke berør bitset eller arbeidsstykket umiddelbart etter bruk. Disse vil da være ekstremt varme, og du kan få brannskår.
6. Arbeidsstykker må alltid festes med en skruestikke eller lignende.

TA VARE PÅ DISSE INSTRUKSENE.

⚠ ADVARSEL: IKKE LA hensynet til hva som er "behagelig" eller det faktum at du kjenner produktet godt (etter mange gangers bruk) gjøre deg mindre oppmerksom på sikkerhetsreglene for bruken av det aktuelle produktet.

Ved MISBRUK eller hvis ikke sikkerhetsreglene i denne bruksanvisningen følges, kan det oppstå alvorlig personskade.

Viktige sikkerhetsanvisninger for batteriinnsetning

1. Før du begynner å bruke batteriet, må du lese alle anvisninger og forsiktighetsregler på (1) batteriladeren, (2) batteriet og (3) det produktet batteriet skal brukes i.
2. Ikke ta fra hverandre batteriet.
3. Hvis driftstiden er blitt vesentlig kortere, må du omgående slutte å bruke maskinen. Hvis ikke kan resultatet bli overoppheting, mulige forbrenninger eller til og med en eksplosjon.
4. Hvis du får elektrolytt i øynene, må du skylle dem med store mengder rennende vann og oppsøke lege med én gang. Denne typen uhell kan føre til varig blindhet.

5. Ikke kortslutt batteriet:
 - (1) De kan være ekstremt varme og du kan brenne deg.
 - (2) Ikke lagre batteriet i samme beholder som andre metallgjenstander, som for eksempel spiker, mynter osv.
 - (3) Ikke la batteriet komme i kontakt med vann eller regn.En kortslutning av batteriet kan føre til et kraftig strømstøt, overoppheting, mulige forbrenninger og til og med til at batteriet går i stykker.
6. Ikke lagre maskinen og batteriet på steder hvor temperaturen kan komme opp i eller overskride 50 °C.
7. Ikke sett fyr på batteriet, ikke engang om det er sterkt skadet eller helt utslitt. Batteriet kan eksplodere hvis det begynner å brenne.
8. Vær forsiktig så du ikke mister batteriet eller utsetter det for slag.
9. Ikke bruk batterier som er skadet.
10. Lithium-ion-batteriene som medfølger er gjenstand for krav om spesialavfall. For kommersiell transport, f.eks av tredjeparter eller speditorer, må spesielle krav om pakking og merking følges. Før varen blir sendt, må du forhøre deg med en ekspert på färlig materiale. Ta også hensyn til muligheten for mer detaljerte nasjonale bestemmelser. Bruk teip eller maskeringsteip for å skjule åpne kontakter og pakk inn batteriet på en slik måte at den ikke kan bevege seg rundt i emballasjen.
11. Når du kasserer batteriinnsetningen, må du ta den ut av verktøyet og avhende den på et sikkert sted. Følg lokale bestemmelser for avhending av batterier.
12. Bruk batteriene kun med produkter spesifisert av Makita. Montere batteriene i produkter som ikke er konforme kan føre til brann, overoppheting eller elektrolyttlekkasje.
13. Hvis verktøyet ikke skal brukes over en lengre periode, må batteriet tas ut av verktøyet.

TA VARE PÅ DISSE INSTRUKSENE.

⚠ FORSIKTIG: Bruk kun originale Makita-batterier. Bruk av batterier som har endret seg, eller som ikke er originale Makita-batterier, kan føre til at batteriet sprekker og forårsaker brann, personskader og andre skader. Det vil også ugyldiggjøre garantien for Makita-verktøyet og -laderen.

Tips for å opprettholde maksimal batterilevetid

1. Lad batteriinnsetningen før den er helt utladet. Stopp alltid driften av verktøyet og lad batteriinnsetningen når du merker at effekten reduseres.
2. Lad aldri en batteriinnsetning som er fulladet. Overopplading forkorter batteriets levetid.
3. Lad batteriet i romtemperatur ved 10 °C - 40 °C. Et varmt batteri må kjøles ned før lading.
4. Lad batteriet hvis det ikke har vært brukt på en lang stund (over seks måneder).

FUNKSJONS BESKRIVELSE

⚠ FORSIKTIG:

- Forviss deg alltid om at maskinen er slått av og batteriet tatt ut før du justerer maskinen eller kontrollerer dens mekaniske funksjoner.

Sette inn eller ta ut batteri

► **Fig.1:** 1. Rød indikator 2. Knapp 3. Batteri

⚠ FORSIKTIG:

- Slå alltid av verktøyet før du setter inn eller fjerner batteriet.
- **Hold godt rundt maskinen og batteriet når du setter inn eller tar ut batteriet.** Hvis du mister ned maskinen eller batteriet, kan dette forårsake personskader eller skader på maskinen/batteriet.

For å ta ut batteriet må du skyve på knappen foran på batteriet og trekke det ut.

Når du skal sette inn batteriet, må du plassere tungen på batteriet på linje med sporet i huset og skyve batteriet på plass. Skyv det helt inn til det går i inngrep med et lite klikk. Hvis du kan se den røde anviseren på oversiden av knappen, er det ikke gått skikkelig i lås.

⚠ FORSIKTIG:

- Batteriet må alltid settes helt inn, så langt at den røde anviseren ikke lenger er synlig. Hvis du ikke gjør dette, kan batteriet falle ut av maskinen og skade deg eller andre som oppholder seg i nærheten.
- Ikke bruk makt når du setter i batteriet. Hvis batteriet ikke glir lett inn, er det fordi det ikke settes inn på riktig måte.

Beskyttelsessystem for batteri (litiumionbatteri med stjernemerking)

► **Fig.2:** 1. Stjernemerking

Litiumionbatterier med stjernemerking er utstyrt med et beskyttelsessystem. Dette systemet slår automatisk av strømmen til verktøyet for å forlenge batteriets levetid. Verktøyet stopper automatisk ved drift hvis det og/eller batteriet utsettes for en av følgende tilstander:

- **Overbelastning:**
Verktøyet brukes på en måte som gjør at det trekker uvanlig mye strøm.
I dette tilfellet, slipp verktøyets startbryter og stopp arbeidet som forårsaket at verktøyet ble overbelastet. Dra deretter i startbryteren igjen for å starte på nytt.
Hvis verktøyet ikke starter, er batteriet overbelastet. I dette tilfellet, la batteriet kjøle seg ned før du drar i startbryteren igjen.
- **Lav batterispenning:**
Gjenværende batterikapasitet er for lav, og verktøyet vil ikke fungere. I dette tilfellet, fjern og lad batteriet opp igjen.

Indikere gjenværende batterikapasitet

Kun for batterier med indikatoren

► **Fig.3:** 1. Indikatorlamper 2. Kontrollknapp

Trykk på sjekk-knappen på batteriet for vise gjenværende batterikapasitet. Indikatorlampene lyser i et par sekunder.

Indikatorlamper			Gjenværende batterinivå
Tent	Av	Bliker	
			75 % til 100 %
			50 % til 75 %
			25 % til 50 %
			0 % til 25 %
			Lad batteriet.
			Batteriet kan ha en feil.

MERK: Det angitte nivået kan avvike noe fra den faktiske kapasiteten alt etter bruksforholdene og den omgivende temperaturen.

Innstilling for ønsket skruelengde

► **Fig.4:** 1. Spak 2. Stopperfot 3. Plate 4. Hus

Det er 3 skruelengdeinnstillinger med klikklås. For å oppnå ønsket innstilling, må du trekke ut stopperfoten mens du trykker inn spaken helt til tallet for ønsket skruelengde (avmerket på platen) ser ut til å hvile på overkanten av huset.

Tabellen under viser forholdet mellom det tallet som er angitt på platen og de ulike skruelengdeintervallene.

Tall på platen	Skruelengdeintervall (mm)
25/28	25 - 28
32	28 - 35
40	35 - 41

Justere skruedyden

Trykk inn stopperfoten så langt den går. Mens du holder den i denne stillingen, dreier du justeringsknotten til bitspissen stikker ca. 5 mm ut fra stopperfoten. Skru inn en prøveskrue. Hvis skruhodet stikker opp over overflaten, må du dreie justeringsknappen i A-retningen; hvis skruhodet blir liggende lavere enn overflaten, må du dreie justeringsknappen i B-retningen.

► **Fig.5:** 1. Stopperfot 2. Hus 3. Justeringsknott

Bryterfunksjon

► **Fig.6:** 1. Startbryter

⚠FORSIKTIG:

- Før du setter batteriet inn i maskinen, må du alltid kontrollere at startbryteren aktiverer maskinen på riktig måte og går tilbake til "AV"-stilling når den slippes.

Trykk på startbryteren for å starte verktøyet. Slipp startbryteren for å stoppe verktøyet.

Reverseringsfunksjon

► **Fig.7:** 1. Revershendel

Dette verktøyet har en reversbryter som kan brukes til å endre rotasjonsretningen. Trykk inn reversbryteren fra "A"-siden for å velge rotasjon med klokken, eller fra "B"-siden for å velge rotasjon mot klokken.

Når reversbryteren er i nøytral stilling, kan ikke startbryteren trykkes inn.

⚠FORSIKTIG:

- Før arbeidet begynner, må du alltid kontrollere rotasjonsretningen.
- Bruk reversbryteren bare etter at verktøyet har stoppet helt. Hvis du endrer rotasjonsretningen før verktøyet har stoppet, kan det bli ødelagt.
- Når du ikke skal bruke maskinen lenger, må du alltid sette reversbryteren i nøytral stilling.

MONTERING

⚠FORSIKTIG:

- Forviss deg alltid om at maskinen er slått av og batteriet tatt ut før du utfører noe arbeid på maskinen.

Montere eller demontere bits

Løse fingerskruene som holder huset. Trekk huset ut i pilretningen.

► **Fig.8:** 1. Hus 2. Fingerskruer

Trykk støvdekslet mot glidelageret og trekk ut bitset. Hvis støvdekslet ikke kan flyttes så langt som glidelageret, må du prøve igjen etter at du har dreiet bitset litt.

For å montere bitset, må du sette inn i pipen mens du dreier den lett. Etter montering må du alltid forvise deg om at det sitter godt ved å prøve å trekke det ut.

► **Fig.9:** 1. Bits 2. Støvdeksel 3. Glidelager

Montere skrubånd

► **Fig.10:** 1. Materhus 2. Skrubånd 3. Skruføring

► **Fig.11:** 1. Innskruingsposisjon

Før skrubåndet inn gjennom skrueføringen. Før det deretter inn gjennom matemekanismen til den første skruen er ved siden av innskruingsposisjonen.

Fjerne skrubånd

Fjern skrubåndet ved å trekke det ut i pilretningen.

► **Fig.12**

Hvis du trykker på reversknappen, kan du trekke ut skrubåndet i motsatt retning av den pilen peker i.

► **Fig.13:** 1. Reversknapp

Bærekrok

Bærekroken er praktisk for å henge opp maskinen midlertidig. Den kan monteres på begge sider av verktøyet. Når du skal fjerne bærekroken, må du vide den ut ved å trykke inn de høyre endene PÅ BEGGE SIDER i pilretning (1) og løfte den i pilretning (2).

► **Fig.14:** 1. Bøyle

BRUK

Skrutrekkerfunksjon

► **Fig.15**

Slå på maskinen ved å trykke på startbryteren. Hold maskinen vinkelrett og fast mot arbeidsoverflaten. Skruen føres automatisk frem til innskruingsposisjonen og skrur inn i emnet.

⚠FORSIKTIG:

- Før innskruing må du alltid kontrollere grundig om bitset er slitt. Bytt slitte bits, da det ellers kan forekomme at skruene ikke festes godt nok.
- Hold alltid verktøyet vinkelrett mot arbeidsoverflaten. Hvis du holder maskinen i en spissere vinkel, kan skruhodene bli ødelagt og bitset bli slitt. Dette kan også føre til at skruene ikke festes skikkelig.
- Hold alltid maskinen godt mot overflaten av arbeidsemnet til skruoperasjonen er ferdig. Hvis dette ikke gjøres, kan skruene bli dårlig festet.
- Vær forsiktig så du ikke forsøker å skru en ny skruer inn i en som allerede er skrudd inn.
- Ikke bruk maskinen uten skruer. Dette vil ødelegge emnet.
- Hvis matemekanismen begynner å bli treg, kan bilvoaks (av spraytypen) brukes på glideflatene. Bruk aldri smøremidler.

Skrutrekkerfunksjon i hjørner

► **Fig.16:** 1. Vegg 2. Stopperfot

Denne maskinen kan brukes til innskruing i en posisjon som befinner seg 15 mm vekk fra veggen, som vist på figuren.

⚠FORSIKTIG:

- Innskruing i en posisjon nærmere enn 15 mm fra veggen eller innskruing med stopperfoten på veggen kan ødelegge skruhodene og forårsake slitasje på bitset. Dette kan også føre til dårlig skruefeste og skader på maskinen.

VEDLIKEHOLD

⚠FORSIKTIG:

- Forviss deg alltid om at maskinen er slått av og batteriet tatt ut før du foretar inspeksjon eller vedlikehold.
- Aldri bruk gasolin, bensin, tynner alkohol eller lignende. Det kan føre til misfarging, deformering eller sprekkdannelse.

Skifte kullbørster

► Fig.17: 1. Utskiftingsmerke

Bytt dem når de er slitt ned til utskiftingsmerket. Hold kullbørstene rene og fri til å bevege seg i holderne. Begge kullbørstene må skiftes samtidig. Bruk bare identiske kullbørster.

Løsne fingerskruene som holder huset. Trekk huset ut i pilretningen.

► Fig.18: 1. Hus 2. Fingerskruer

Bruk en skrutrekker for å fjerne de to skruene, og ta deretter av frontdekselet.

► Fig.19: 1. Frontdeksel 2. Skruer

Løft fjærarmen og bruk en flat skrutrekker med smalt skaft til å plassere den i sporet i huset.

► Fig.20: 1. Fjær 2. Arm 3. Fordypning

Bruk en tang til å fjerne hettene fra kullbørstene. Ta ut de slitte kullbørstene, sett inn nye og fest kullbørstehettene igjen i motsatt rekkefølge.

► Fig.21: 1. Kullbørstehette

Pass på at kullbørstehettene har kommet ordentlig inn i hullene i børsteholderne.

► Fig.22: 1. Hull 2. Kullbørstehette

Sett på plass frontdekselet og stram de to skruene godt. For å opprettholde produktets SIKKERHET og PÅLITELIGHET, må reparasjoner, vedlikehold og justeringer utføres av Makitas autoriserte servicesentre, og det må alltid brukes reservedeler fra Makita.

VALGFRITT TILBEHØR

⚠FORSIKTIG:

- Det anbefales at du bruker dette tilbehøret eller verktøyet sammen med den Makita-maskinen som er spesifisert i denne håndboken. Bruk av annet tilbehør eller verktøy kan forårsake helseskader. Tilbehør og verktøy må kun brukes til det formålet det er beregnet på.

Ta kontakt med ditt lokale Makita-servicesenter hvis du trenger mer informasjon om dette tilbehøret.

- Skruebånd for tørrvegg
- Phillips-bits
- Ulike typer ekte batterier og ladere fra Makita
- Verktøykoffert av plast

MERK:

- Enkelte elementer i listen kan være inkludert som standardtilbehør i verktøypakken. Elementene kan variere fra land til land.

TEKNISET TIEDOT

Malli	DFR450X
Ruuvivyo	4 mm x 25 mm - 41 mm
Nopeus kuormittamattomana (min ⁻¹)	4 000
Kokonaispituus	369 mm
Nettopaino	1,9 - 2,9 kg
Nimellisjännite	DC 18 V

- Jatkvasta tutkimus- ja kehitystyöstämme johtuen esitetyt tekniset tiedot saattavat muuttua ilman erillistä ilmoitusta.
- Tekniset tiedot voivat vaihdella maittain.
- Paino voi olla erilainen lisävarusteista sekä akusta johtuen. EPTA-menettelytavan 01/2014 mukaisesti, taulukossa on kuvattu kevyin ja painavin laiteyhdistelmä.

Käytettävä akkupaketti ja laturi

Akkupaketti	BL1815N / BL1820 / BL1820B / BL1830 / BL1830B / BL1840 / BL1840B / BL1850 / BL1850B / BL1860B
Laturi	DC18RC / DC18RD / DC18RE / DC18SD / DC18SE / DC18SF / DC18SH

- Tiettyjä yläpuolella kuvattuja akkuja ja latureita ei ehkä ole saatavana asuinalueestasi johtuen.

VAROITUS: Käytä vain edellä eriteltyjä akkupaketteja ja latureita. Muiden akkupakettien ja laturien käyttäminen voi aiheuttaa loukkaantumisen ja/tai tulipalon.

Käyttötarkoitus

Työkalu on tarkoitettu ruuvien kiinnittämiseen puuhun, metalliin ja muoviin.

Melutaso

Tyypillinen A-painotettu melutaso määräytyy EN62841-standardin mukaan:

Äänenpainetaso (L_{PA}): 78 dB (A)

Virhemarginaali (K): 3 dB (A)

Työskentelyn aikana melutaso voi ylittää 80 dB (A).

HUOMAA: Ilmoitetut melutasoarvot on mitattu standarditestausmenetelmän mukaisesti ja niiden avulla voidaan vertailla työkaluja keskenään.

HUOMAA: Ilmoitettuja melutasoarvoja voidaan käyttää myös altistumisen alustavaan arviointiin.

VAROITUS: Käytä kuulosuojaimia.

VAROITUS: Sähkötyökalun käytön aikana mitattu melutasoarvo voi poiketa ilmoitetuista arvoista laitteen käyttötavan ja erityisesti käsiteltävän työkappaleen mukaan.

VAROITUS: Selvitä käyttäjän suojaamiseksi tarvittavat varoimet todellisissa käyttöolosuhteissa tapahtuvan arvioidun altistumisen mukaisesti (ottaen huomioon käyttöjaksot kokonaisuudessaan, myös jaksot, joiden aikana laite on sammutettuna tai käy tyhjäkäynnillä).

Tärinä

Värähtelyn kokonaisarvo (kolmiakselivektorin summa) on määritelty EN62841 mukaan:

Työtila: ruuvaus ilman vasarointia

Tärinäpäästö (a_n): 2,5 m/s² tai vähemmän

Virhemarginaali (K): 1,5 m/s²

HUOMAA: Ilmoitetut kokonaistärinäarvot on mitattu standarditestausmenetelmän mukaisesti ja niiden avulla voidaan vertailla työkaluja keskenään.

HUOMAA: Ilmoitettuja kokonaistärinäarvoja voidaan käyttää myös altistumisen alustavaan arviointiin.

VAROITUS: Sähkötyökalun käytön aikana mitattu todellinen tärinäpäästöarvo voi poiketa ilmoitetuista arvoista laitteen käyttötavan ja erityisesti käsiteltävän työkappaleen mukaan.

VAROITUS: Selvitä käyttäjän suojaamiseksi tarvittavat varoimet todellisissa käyttöolosuhteissa tapahtuvan arvioidun altistumisen mukaisesti (ottaen huomioon käyttöjaksot kokonaisuudessaan, myös jaksot, joiden aikana laite on sammutettuna tai käy tyhjäkäynnillä).

EY-vaatimustenmukaisuusvakuutus

Koskee vain Euroopan maita

EY-vaatimustenmukaisuusvakuutus on liitetty tähän käyttöoppaaseen.

Sähkötyökalujen käyttöä koskevat yleiset varoitukset

VAROITUS: Tutustu kaikkiin tämän sähkötyökalun mukana toimitettuihin varoituksiin, ohjeisiin, kuviin ja teknisiin tietoihin. Seuraavassa lueteltujen ohjeiden noudattamatta jättäminen saattaa johtaa sähköiskuun, tulipaloon tai vakavaan vammautumiseen.

Säilytä varoitukset ja ohjeet tulevaa käyttöä varten.

Varoituksissa käytettävällä termillä ”sähkötyökalu” tarkoitetaan joko verkkovirtaa käyttävää (johdollista) työkalua tai akkukäyttöistä (johdotonta) työkalua.

Akkukäyttöisen ruuvinvääntimen turvallisuusohjeet

1. Pitele sähkötyökalua sen eristetyistä tartuntapinnoista silloin, kun on mahdollista, että kiinnitystarvikkeeseen osuminen jännitteeseen johtoon voi siirtää jännitteen työkalun sähköä johtaviin metalliosiin ja aiheuttaa käyttäjälle sähköiskun.
2. Seiso aina tukevassa asennossa. Varmista korkealla työskennellessäsi, ettei ketään ole alapuolella.
3. Ota työkalusta luja ote.
4. Pidä kädet loitolla pyörivistä osista.
5. Älä kosketa kärkeä tai työkappaletta välittömästi käytön jälkeen, sillä ne voivat olla erittäin kuumia ja aiheuttaa palovammoja.
6. Kiinnitä työkappaleet aina viilapenkkiin tai vastaavaan pidikkeeseen.

SÄILYTÄ NÄMÄ OHJEET.

VAROITUS: ÄLÄ anna työkalun helpokäyttöisyyden (toistuvan käytön aikaansaama) johtaa sinua väärään turvallisuuden tunteeeseen niin, että laiminlyöt työkalun turvaohjeiden noudattamisen.

VÄÄRINKÄYTTÖ tai tässä käyttöohjeessa ilmoitettujen turvamääräysten laiminlyönti voi aiheuttaa vakavia henkilövahinkoja.

Akkupakettia koskevia tärkeitä turvaohjeita

1. Ennen akun käyttöönottoa tutustu kaikkiin laturissa (1), akussa (2) ja akkukäyttöisessä tuotteessa (3) oleviin varoitusteksteihin.
2. Älä pura akkua.
3. Jos akun toiminta-aika lyhenee merkittävästi, lopeta akun käyttö. Seurauksena voi olla ylikuumeneminen, palovammoja tai jopa räjähdys.
4. Jos akkunestettä pääsee silmiin, huuhtele puhtaalla vedellä ja hakeudu välittömästi lääkärin hoitoon. Akkuneste voi aiheuttaa näön menetyksen.
5. Älä oikosulje akkua.
 - (1) Älä koske akun napoihin millään sähköä johtavalla materiaalilla.
 - (2) Vältä akun oikosulkemista äläkä säilytä akkua yhdessä muiden metalliesineiden, kuten nauhojen, kolikoiden ja niin edelleen kanssa.
 - (3) Älä aseta akkua alttiiksi vedelle tai sateelle.

Oikosulku voi aiheuttaa virtapiikin, ylikuumentumista, palovammoja tai laitteen rikkoutumisen.

6. Älä säilytä työkalua ja akkua paikassa, jossa lämpötila voi nousta 50 °C:een tai sitäkin korkeammaksi.
7. Älä hävitä akkua polttamalla, vaikka se olisi pahoin vaurioitunut tai täysin loppuun kulunut. Avotuli voi aiheuttaa akun räjähtämisen.
8. Varo kolhimasta tai pudottamasta akkua.
9. Älä käytä viallista akkua.
10. Sisältyviä litium-ioni-akkuja koskevat vaarallisten aineiden lainsäädännön vaatimukset. Esimerkiksi kolmansien osapuolten huolintaliikkeiden tulee kaupallisissa kuljetuksissa noudattaa pakkaamista ja merkintöjä koskevia erityisvaatimuksia. Lähettävän tuotteen valmistelu edellyttää vaarallisten aineiden asiantuntijan neuvontaa. Huomioi myös mahdollisesti yksityiskohtaisemmat kansalliset määräykset. Akun avoimet liittimet tulee suojata teipillä tai suojuksella ja pakkaaminen tulee tehdä niin, ettei akku voi liukua pakkauksessa.
11. Kun akkupaketti on hävitettävä, poista se laitteesta ja hävitä se turvallisesti. Hävitä akku paikallisten määräysten mukaisesti.
12. Käytä akkuja vain Makitan ilmoittamien tuotteiden kanssa. Akkujen asentaminen yhteensopimattomiin tuotteisiin voi aiheuttaa tulipalon, liiallisen ylikuumenemisen, räjähdysen tai akkunestevuotoja.
13. Jos laitetta ei käytetä pitkään aikaan, akku on poistettava laitteesta.

SÄILYTÄ NÄMÄ OHJEET.

HUOMIO: Käytä vain alkuperäisiä Makita-akkuja. Muiden kuin aitojen Makita-akkujen, tai mahdollisesti muutettujen akkujen käyttö voi johtaa akun murtumiseen ja aiheuttaa tulipaloja, henkilö- ja omaisuusvahinkoja. Se mitätöi myös Makita-työkalun ja -laturin Makita-takuun.

Vihjeitä akun käyttöiän pidentämiseksi

1. Lataa akku ennen kuin se purkautuu täysin. Lopeta aina työkalun käyttö ja lataa akku, jos huomaat työkalun tehon vähenevän.
2. Älä koskaan lataa uudestaan täysin ladattua akkua. Ylilataaminen lyhentää akun käyttöikä.
3. Lataa akku huoneen lämpötilassa välillä 10 °C - 40 °C. Anna kuuman akun jäähtyä ennen lataamista.
4. Lataa akkupaketti, jos et käytä sitä pitkään aikaan (yli kuusi kuukautta).

TOIMINTOJEN KUVAUS

⚠️HUOMIO:

- Varmista aina ennen säätöjä ja tarkastuksia, että työkalu on sammutettu ja akku irrotettu.

Akun asentaminen tai irrottaminen

► **Kuva1:** 1. Punainen ilmaisain 2. Painike 3. Akku

⚠️HUOMIO:

- Sammuta työkalu aina ennen akun kiinnittämistä tai irrottamista.
- Pidä työkalusta ja akusta tiukasti kiinni, kun irrotat tai kiinnität akkua.** Jos akku tai työkalu putoaa, ne voivat vaurioitua tai aiheuttaa loukkaantumisen.

Irrota akku painamalla akun etupuolella olevaa painiketta ja vetämällä akku ulos työkalusta. Kiinnitä akku sovitamalla akun kieleke rungon uraan ja työntämällä akku sitten paikoilleen. Työnnä akku pohjaan asti niin, että kuulet sen napsahavan paikoilleen. Jos painikkeen yläpuolella näkyy punainen ilmaisain, akku ei ole lukkiutunut täysin paikoilleen.

⚠️HUOMIO:

- Työnnä akku aina pohjaan asti, niin että punainen ilmaisain ei enää näy. Jos akku ei ole kunnolla paikallaan, se voi pudota työkalusta ja aiheuttaa vammoja joko käyttäjälle tai sivullisille.
- Älä käytä voimaa akun asennuksessa. Jos akku ei mene paikalleen helposti, se on väärässä asennossa.

Akun suojausjärjestelmä (tähtimerkinnällä merkitty litiumioniakku)

► **Kuva2:** 1. Tähtimerkintä

Tähtimerkinnällä merkityssä litiumioniakussa on suojausjärjestelmä. Tämä järjestelmä pidentää akun käyttöikää katkaisemalla automaattisesti virran työkaluun. Työkalu voi pysähtyä automaattisesti kesken käytön, jos työkalussa tai akussa ilmenee jokin seuraavista tilanteista:

- Ylikuormitus:**
Työkalua käytetään tavalla, joka saa sen kuluttamaan epätavallisen paljon virtaa. Vapauta silloin työkalun liipaisinkytkin, ja lopeta ylikuormitus tilan aiheuttanut käyttö. Käynnistä sen jälkeen työkalu uudelleen painamalla liipaisinkytkintä.
Jos työkalu ei käynnisty, akku on ylikuumentunut. Anna silloin akun jäähtyä, enne kuin painat liipaisinkytkintä uudelleen.
- Alhainen akun jännite:**
Akun varaus ei riitä työkalun käyttämiseen. Irrota silloin akku ja lataa se.

Akun jäljellä olevan varaustason ilmaisin

Vain akkupaketeille ilmaisimella

► **Kuva3:** 1. Merkkivalot 2. Tarkistuspainike

Painamalla tarkistuspainiketta saat näkyviin akun jäljellä olevan varauksen. Merkkivalot palavat muutaman sekunnin ajan.

Merkkivalot			Akussa jäljellä olevan varaus
Palaa	Pois päältä	Viilkeää	
■ ■ ■ ■			75% - 100%
■ ■ ■ □			50% - 75%
■ ■ □ □			25% - 50%
■ □ □ □			0% - 25%
▬ □ □ □			Lataa akku.
■ ■ □ □		↑ ↓	Akussa on saattanut olla toimintahäiriö.

HUOMAA: Ilmoitettu varaustaso voi erota hieman todellisesta varaustasosta sen mukaan, millaisissa oloissa ja missä lämpötilassa laitetta käytetään.

Halutun ruuvinpituuden asentaminen

► **Kuva4:** 1. Vipu 2. Pysäytinpohja 3. Levy 4. Kotelo

Koneessa on kolme ruuvinpituuden säädön lukitusasentoa. Haluttu asetus saadaan pitämällä kytkin alapainetuna ja vetämällä pysäytinalustaa ulos, kunnes halutun ruuvinpituuden numero (levyssä oleva merkintä) näkyy kotelon yläreunan kohdalla.

Katso levyn numeromerkinnän ja vastaavan ruuvinpituusalueen välinen yhteys alla olevasta taulukosta.

Levyssä oleva numeromerkintä	Ruuvin pituusalue (mm)
25/28	25 - 28
32	28 - 35
40	35 - 41

Ajosyvyyden säätö

Paina pysäytinalustaa niin pitkälle kuin se menee. Pidä se tässä asennossa ja käännä säätönuppia, kunnes kärki työntyy noin 5 mm esiin pysäytinalustasta. Kiinnitä koeruuvi. Jos ruuvin kanta jää työkappaleen pinnan yläpuolelle, käännä säätönuppia suuntaan A. Jos ruuvin kanta työntyy liian syväälle, käännä nuppia suuntaan B.

► **Kuva5:** 1. Pysäytinpohja 2. Kotelo 3. Säätönuppi

Kytkimen käyttäminen

► **Kuva6:** 1. Liipaisinkytkin

⚠️HUOMIO:

- Tarkista aina ennen akun kiinnittämistä työkaluun, että liipaisinkytkin kytkeytyy oikein ja palaa OFF-asentoon, kun se vapautetaan.

Käynnistä työkalu painamalla liipaisinkytkintä. Laite pysäytetään vapauttamalla liipaisinkytkin.

Pyörimissuunnan vaihtokytkimen toiminta

► **Kuva7:** 1. Pyörimissuunnan vaihtokytkin

Työkalussa on pyörimissuunnan vaihtokytkin. Jos haluat koneen pyöriä myötäpäivään, paina vaihtokytkintä A-puolelta, ja jos vastapäivään, paina sitä B-puolelta.

Jos pyörimissuunnan vaihtokytkin on keskiasennossa, liipaisinkytkin lukittuu.

⚠️HUOMIO:

- Tarkista aina pyörimissuunta ennen käyttöä.
- Käytä pyörimissuunnan vaihtokytkintä vasta sen jälkeen, kun kone on lakannut kokonaan pyörimästä. Pyörimissuunnan vaihto koneen vielä pyöriessä voi vahingoittaa sitä.
- Aina kun konetta ei käytetä, käännä pyörimissuunnan vaihtokytkin keskiasentoon.

KOKOONPANO

⚠️HUOMIO:

- Varmista aina ennen mitään työkalulle tehtäviä toimenpiteitä, että se on sammutettu ja akku irrotettu.

Terän kiinnitys ja irrotus

Löysää koteloa kiinni pitävät sormiruuvit. Vedä kotelo nuolen osoittamaan suuntaan.

► **Kuva8:** 1. Kotelo 2. Sormiruuvit

Paina pölysuojusta kohti tasolaakeria ja vedä kärki irti. Jos pölynsuojusta ei voi työntää niin pitkälle, kuin tasolaakeria, yritä uudestaan sen jälkeen, kuin olet kiertänyt terää hieman.

Asennat terän liittämällä se istukkaan samalla hieman kiertämällä sitä. Varmista aina, että terä on kunnolla kiinni yrittämällä vetää sitä irti.

► **Kuva9:** 1. Kärki 2. Pölysuojus 3. Tasolaakeri

Ruuvausterän kiinnitys

► **Kuva10:** 1. Syöttölaatikko 2. Ruuvivyo 3. Ruuviohjain

► **Kuva11:** 1. Kiinnityskohta

Työnnä ruuvivyo ruuviohjaimen läpi. Työnnä vyo seuraavaksi syöttölaatikon läpi, kunnes ensimmäinen ruuvi tulee kiinnityskohtaa seuraavaan kohtaan.

Ruuvivyon irrottaminen

Irrota ruuvivyo vetämällä sitä nuolen osoittamaan suuntaan.

► **Kuva12**

Jos painat suunnanvaihtonappia, ruuvivyo voidaan vetää irti päinvastaiseen suuntaan kuin mihin nuoli osoittaa.

► **Kuva13:** 1. Suunnanvaihtonappi

Kantokoukku

Työkalu voidaan kätevästi ripustaa väliaikaisesti kantokoukkuun. Sen voi kiinnittää työkalun kummalle puolelle tahansa.

Kantokoukku irrotetaan levittämällä sitä MOLEMMILTA PUOLILTA nuolten osoittamiin suuntiin (1) ja nostamalla sitä nuolen (2) osoittamaan suuntaan.

► **Kuva14:** 1. Koukku

TYÖSKENTELY

Ajotoiminta

► **Kuva15**

Käynnistä työkalu painamalla liipaisinkytkintä. Paina konetta kohtisuorassa työkappaletta vasten. Ruuvi kulkeutuu kiinnityskohtaan ja ruuvautuu työkappaleeseen automaattisesti.

⚠️HUOMIO:

- Tarkista aina ennen ruuvaamista, ettei kärki ole kulunut. Vaihda kulunut kärki uuteen tai ruuvit eivät ehkä kiinnity kunnolla.
- Paina kone aina kohtisuorassa asennossa työkappaletta vasten. Jos koneella ruuvataan vinosti, ruuvien kannat voivat vahingoittaa koneen kärki kuluu. Ruuvit eivät ehkä myöskään kiinnity kunnolla.
- Pidä kone aina ruuvauksen loppuun asti työkappaletta vasten painettuna. Ruuvit eivät ehkä kiinnity kunnolla, jos konetta ei pidetä painettuna loppuun asti.
- Varo, ettet ruuvaa toista ruuvia jo kiinnitetyn ruuvien päälle.
- Älä käytä konetta ilman ruuveja. Kone vaurioittaa työkappaleen pintaa.
- Jos syöttölaatikko ei toimi ruuvauksen aikana kitkattomasti, suihkuta liukupinnoille autovahaa (suihkepullostaa). Älä käytä voiteluaineita.

Kulmaan ajaminen

► Kuva16: 1. Seinä 2. Pysäytinpohja

Tällä koneella voidaan kiinnittää ruuveja 15 mm päähän seinistä kuvan osoittamalla tavalla.

▲HUOMIO:

- Ruuvin kiinnittäminen alle 15 mm päähän seinästä tai siten, että pysäytinalusta koskettaa seinää saattaa vahingoittaa ruuvin kantaa ja aiheuttaa terän kulumista. Ruuvit eivät ehkä myöskään kiinnity kunnolla ja kone saattaa rikkoutua.

KUNNOSSAPITO

▲HUOMIO:

- Varmista aina ennen tarkastusta tai huoltoa, että työkalu on sammutettu ja akku irrotettu.
- Älä koskaan käytä bensiiniä, ohentimia, alkoholia tai tms. aineita. Muutoin pinta voi halkeilla tai sen värit ja muoto voivat muuttua.

Hiiliharjojen vaihtaminen

► Kuva17: 1. Rajamerkki

Vaihda, kun ne ovat kuluneet rajamerkkiin asti. Pidä hiiliharjat puhtaina ja varmista, että ne pääsevät liukumaan vapaasti pidikkeissään. Molemmat hiiliharjat on vaihdettava yhtä aikaa. Käytä vain identtisiä hiiliharjoja. Löysää koteloa kiinni pitävät sormiruuvit. Vedä kotelo nuolen osoittamaan suuntaan.

► Kuva18: 1. Kotelo 2. Sormiruuvit

Irrota etukansi avaamalla sen molemmat ruuvit ruuvimeisselillä.

► Kuva19: 1. Etuosan suojus 2. Ruuvit

Nosta jousen varsiosaa ja aseta se rungossa olevaan syvennykseen pitkävarteisella uritetulla ruuvimeisselillä tai vastaavalla.

► Kuva20: 1. Jousi 2. Varsi 3. Syvennetty osa

Irrota hiiliharjojen kuvat pihdeillä. Irrota kuluneet hiiliharjat, aseta uudet paikoilleen ja kiinnitä hiiliharjojen kuvat päinvastaisessa järjestyksessä.

► Kuva21: 1. Hiiliharjan kupu

Varmista, että hiiliharjojen kuvat menevät oikein harjanpidikkeiden reikiin.

► Kuva22: 1. Aukko 2. Hiiliharjan kupu

Aseta etukansi paikoilleen ja kiristä molemmat ruuvit huolellisesti.

Koneen TURVALLISUUDEN ja LUOTETTAVUUDEN säilyttämiseksi korjaukset sekä muut huoltotoimet ja säädöt on jätettävä Makitan valtuuttaman huollon tehtäväksi käyttäen aina Makitan alkuperäisiä varaosia.

LISÄVARUSTEET

▲HUOMIO:

- Näitä lisävarusteita ja -laitteita suositellaan käytettäväksi tässä ohjekirjassa mainitun Makitan koneen kanssa. Minkä tahansa muun lisävarusteen tai -laitteen käyttäminen voi aiheuttaa loukkaantumisvaaran. Käytä lisävarusteita ja -laitteita vain niiden käyttötarkoituksen mukaisesti.

Jos tarvitset apua tai yksityiskohtaisempia tietoja seuraavista lisävarusteista, ota yhteys paikalliseen Makitan huoltoon.

- Väliseinäruuvivyo
- Ristiruuvauskärki
- Erilaisia alkuperäisiä Makita-akkuja ja latureita
- Muovinen kantolaukku

HUOMAA:

- Jotkin luettelossa mainitut varusteet voivat sisältyä työkalun toimitukseen vakiovarusteina. Ne voivat vaihdella maittain.

SPECIFIKATIONER

Model	DFR450X
Skruebånd	4 mm x 25 mm - 41 mm
Ubelastet hastighed (min ⁻¹)	4.000
Samlet længde	369 mm
Nettovægt	1,9 - 2,9 kg
Mærkespænding	18 V jævnstrøm

- På grund af vores kontinuerlige forsknings- og udviklingsprogrammer kan hosstående specifikationer blive ændret uden varsel.
- Specifikationer kan variere fra land til land.
- Vægten kan være anderledes afhængigt af tilbehøret, inklusive akkuen. Den letteste og tungeste kombination i henhold til EPTA-procedure 01/2014 er vist i tabellen.

Anvendelig akku og oplader

Akku	BL1815N / BL1820 / BL1820B / BL1830 / BL1830B / BL1840 / BL1840B / BL1850 / BL1850B / BL1860B
Oplader	DC18RC / DC18RD / DC18RE / DC18SD / DC18SE / DC18SF / DC18SH

- Nogle af de akkuer og opladere, der er angivet ovenfor, er muligvis ikke tilgængelige, afhængigt af hvilket område du bor i.

⚠ ADVARSEL: Brug kun de akkuer og opladere, der er angivet ovenfor. Brug af andre akkuer og opladere kan medføre personskaade og/eller brand.

Tilsigtet anvendelse

Maskinen er beregnet til at skrue skruer i træ, metal og plastik.

Lyd

Det typiske A-vægtede støjniveau bestemt i overensstemmelse med EN62841:

Lydtryksniveau (L_{pA}): 78 dB (A)

Usikkerhed (K): 3 dB (A)

Støjniveauet under arbejdet kan overskride 80 dB (A).

BEMÆRK: De(n) angivne støjemissionsværdi(er) er målt i overensstemmelse med en standardtestmetode og kan anvendes til at sammenligne en maskine med en anden.

BEMÆRK: De(n) angivne støjemissionsværdi(er) kan også anvendes i en præliminær eksponeringsvurdering.

⚠ ADVARSEL: Bær høreværn.

⚠ ADVARSEL: Støjemissionen under den faktiske anvendelse af maskinen kan være forskellig fra de(n) angivne værdi(er), afhængigt af den måde hvorpå maskinen anvendes, især den type arbejdssemne der behandles.

⚠ ADVARSEL: Sørg for at identificere de sikkerhedsforskrifter til beskyttelse af operatøren, som er baseret på en vurdering af eksponering under de faktiske brugsforhold (med hensyntagen til alle dele i brugscyklussen, f.eks. de gange, hvor maskinen er slukket, og når den kører i tomgang i tilgift til afbrydertiden).

Vibration

Vibrationens totalværdi (tre-aksial vektorsum) bestemt i overensstemmelse med EN62841:

Arbejdstilstand: skruining uden slag

Vibrationsemission (a_h): 2,5 m/s² eller mindre

Usikkerhed (K): 1,5 m/s²

BEMÆRK: De(n) angivne totalværdi(er) for vibration er målt i overensstemmelse med en standardtestmetode og kan anvendes til at sammenligne en maskine med en anden.

BEMÆRK: De(n) angivne totalværdi(er) for vibration kan også anvendes i en præliminær eksponeringsvurdering.

⚠ ADVARSEL: Vibrationsemissionen under den faktiske anvendelse af maskinen kan være forskellig fra de(n) angivne værdi(er), afhængigt af den måde hvorpå maskinen anvendes, især den type arbejdssemne der behandles.

⚠ ADVARSEL: Sørg for at identificere de sikkerhedsforskrifter til beskyttelse af operatøren, som er baseret på en vurdering af eksponering under de faktiske brugsforhold (med hensyntagen til alle dele i brugscyklussen, f.eks. de gange, hvor maskinen er slukket, og når den kører i tomgang i tilgift til afbrydertiden).

EF-overensstemmelseserklæring

Kun for lande i Europa

EF-overensstemmelseserklæringen er inkluderet som Bilag A i denne brugsanvisning.

Almindelige sikkerhedsregler for el-værktøj

⚠ ADVARSEL: Læs alle de sikkerhedsadvarsler, instruktioner, illustrationer og specifikationer, der følger med denne maskine. Forsømmelse af at overholde alle nedenstående instruktioner kan medføre elektrisk stød, brand og/eller alvorlig personskade.

Gem alle advarsler og instruktioner til fremtidig reference.

Ordet "el-værktøj" i advarslerne henviser til det netforsyede (netledning) el-værktøj eller batteriforsyede (akku) el-værktøj.

Sikkerhedsadvarsler for akku skruetrækker

1. Hold maskinen i de isolerede gribeblader, når der udføres et arbejde, hvor fastgørelsesmidlet kan komme i kontakt med skjulte ledninger. Fastgørelsesmidler, der kommer i kontakt med en strømførende ledning, kan bevirke, at udsatte metaldele på maskinen bliver strømførende, hvorved operatøren kan få elektrisk stød.
2. Sørg altid for, at du har et godt fodfæste. Sørg for, at der ikke befinder sig nogen under dig, når maskinen anvendes på højtliggende steder.
3. Hold godt fast i maskinen.
4. Hold hænderne på afstand af roterende dele.
5. Rør ikke ved bitten eller arbejdselementet umiddelbart efter anvendelse. De kan begge være meget varme og forårsage forbrænding af huden.
6. Fastgør altid arbejdselementet i en skruestik eller lignende udstyr til fastgørelse.

GEM DENNE BRUGSANVISNING.

⚠ ADVARSEL: LAD IKKE bekvemmelighed eller kendskab til produktet (opnået gennem gentagen brug) forhindre, at sikkerhedsforskrifterne for produktet nøje overholdes.

MISBRUG eller forsømmelse af at følge de i denne brugsvejledning givne sikkerhedsforskrifter kan føre til, at De kommer alvorligt til skade.

Vigtige sikkerhedsinstruktioner for akkuen

1. Læs alle instruktioner og advarselmærkater på (1) akku-opladeren, (2) akkuen og (3) produktet, som anvender akku.
2. Lad være med at skille akkuen ad.
3. Hold straks op med anvendelsen, hvis brugstiden er blevet stærkt afkortet. Fortsat anvendelse kan resultere i risiko for overophedning, forbrændinger og endog eksplosion.
4. Hvis De har fået elektrolytvæske i øjnene, skal De straks skylle den ud med rent vand og derefter øjeblikkeligt søge lægehjælp. I modsat fald kan De miste synet.

5. Vær påpasselig med ikke at komme til at kortslutte akkuen:
 - (1) Rør ikke ved terminalerne med noget ledende materiale.
 - (2) Undgå at opbevare akkuen i en beholder sammen med andre genstande af metal, for eksempel søm, mønter og lignende.
 - (3) Udsæt ikke akkuen for vand eller regn. Kortslutning af akkuen kan forårsage en kraftig øgning af strømmen, overophedning, mulige forbrændinger og endog værktøjstop.
6. Opbevar ikke værktøjet og akkuen på et sted, hvor temperaturen kan nå eller overstige 50 °C.
7. Lad være med at brænde akkuen, selv ikke i tilfælde, hvor den har lidt alvorlig skade eller er fuldstændig udtjent. Akkuen kan eksplodere, hvis man forsøger at brænde den.
8. Lad være med at brænde akkuen eller udsætte den for stød.
9. Anvend ikke en beskadiget akku.
10. De indbyggede litium-ion-batterier er underlagt lovkrav vedrørende farligt gods. Ved kommerciel transport, f.eks. af tredjeparts transportselskaber, skal særlige krav til forpakning og mærkning overholdes. Ved forberedelse af udstyr til forsendelse skal du kontakte en ekspert i farligt gods. Overhold også eventuel mere detaljeret national lovgivning. Tape eller tildæk åbne kontakter, og pak batteriet på en måde, så det ikke kan flytte sig rundt i pakningen.
11. Når akkuen bortskaffes, skal du fjerne den fra maskinen og bortskaffe den på et sikkert sted. Følg de lokale love vedrørende bortskaffelsen af batterier.
12. Brug kun batterierne med de produkter, som Makita specificerer. Hvis batterierne installeres i ikke-kompatible produkter, kan det medføre brand, kraftig varme, eksplosion eller udsving af elektrolyt.
13. Hvis maskinen ikke skal bruges i længere tid ad gangen, skal du fjerne batteriet fra maskinen.

GEM DENNE BRUGSANVISNING.

⚠ FORSIGTIG: Brug kun originale batterier fra Makita. Brug af uoriginale Makita-batterier, eller batterier som er blevet ændret, kan muligvis medføre brud på batteriet, hvilket kan forårsage brand, personskade eller beskadigelse. Det ugyldiggør også Makita-garantien for Makita-maskinen og opladeren.

Tips til opnåelse af maksimal akku-levetid

1. Oplad akkuen, inden den er helt afladet. Stop altid værktøjet, og oplad akkuen, hvis De bemærker, at værktøjeffekten er aftagende.
2. Genoplad aldrig en fuldt opladet akku. Overopladning vil afkorte akkuens levetid.
3. Oplad akkuen ved stuetemperatur ved 10 °C - 40 °C. Lad altid en varm akku få tid til at køle af, inden den oplades.
4. Oplad akkuen, hvis De ikke skal bruge den i længere tid (mere end seks måneder).

FUNKTIONSBESKRIVELSE

⚠️ FORSIGTIG:

- Sørg altid for at maskinen er slukket, og at akkuen er taget ud, før der udføres justering eller kontrol af funktioner på maskinen.

Isætning eller fjernelse af akkuen

► Fig.1: 1. Rød indikator 2. Knap 3. Akku

⚠️ FORSIGTIG:

- Sluk altid for maskinen, før du monterer eller fjerner akkuen.
- **Hold maskinen og akkuen fast ved montering eller fjernelse af akkuen.** Hvis du ikke holder maskinen og akkuen fast, kan de glide ud af hænderne på dig og forårsage beskadigelse af maskinen og akkuen eller personskaade.

Akkuen fjernes ved, at du trækker den ud af maskinen, idet du skyder knappen på forsiden af akkuen i stilling. For at installere akkuen skal du rette tungen på akkuen ind med rillen i kabinetet og skubbe den ind på plads. Sæt den hele vejen ind, indtil den låses på plads med et lille klik. Hvis den røde indikator på oversiden af knappen er synlig, betyder det, at den ikke er tilstrækkeligt låst.

⚠️ FORSIGTIG:

- Monter altid akkuen helt, indtil den røde indikator ikke længere er synlig. Hvis dette ikke gøres, kan den falde ud af maskinen ved et uheld, hvorved du selv eller personer i nærheden kan komme til skade.
- Brug ikke magt ved montering af akkuen. Hvis akkuen ikke glider nemt ind, betyder det, at den ikke sættes korrekt ind.

Batteribeskyttelsessystem (Litium-ion-akku med stjernemærkning)

► Fig.2: 1. Stjernemærkning

Litium-ion-akkuer med stjernemærkning er udstyret med beskyttelsessystem. Dette system afbryder automatisk strømmen til maskinen for at forlænge akkulevetiden. Maskinen stopper automatisk under anvendelsen, hvis maskinen og/eller akkuen udsættes for en af de følgende situationer:

- **Overbelastet:**
Maskinen anvendes på en sådan måde, at den bruger unormalt meget strøm. I denne situation skal du slippe afbryderknappen på maskinen og stoppe den anvendelse, som førte til overbelastning af maskinen. Tryk derefter afbryderknappen ind igen for at genstarte.
Hvis maskinen ikke starter, er akkuen overophedet. I denne situation skal du lade akkuen køle af, inden du trykker afbryderknappen ind igen.
- **Lav spænding på akkuen:**
Den resterende batteriladning er for lav, og maskinen vil ikke fungere. I denne situation skal du fjerne og oplade akkuen.

Indikation af den resterende batteriladning

Kun til akkuer med indikatoren

► Fig.3: 1. Indikatorlamper 2. Kontrolknap

Tryk på kontrolknappen på akkuen for at få vist den resterende batteriladning. Indikatorlampen lyser i nogle sekunder.

Indikatorlamper			Resterende ladning
Tændt	Slukket	Blinker	
■	□	◐	75% til 100%
■	■	□	50% til 75%
■	□	□	25% til 50%
■	□	□	0% til 25%
◐	□	□	Genoplad batteriet.
■	■	□	Der er muligvis fejl i batteriet.
□	□	■	

BEMÆRK: Afhængigt af brugsforholdene og den omgivende temperatur kan indikationen afvige en smule fra den faktiske ladning.

Indstilling for ønsket skruelængde

► Fig.4: 1. Arm 2. Stopperfod 3. Plade 4. Indkapsling

Der er 3 fastlåste skruelængdeindstillinger. For at opnå den ønskede indstilling skal du trække stopperfoden ud, mens du trykker på armen, indtil du ser, at tallet for den ønskede skruelængde (angivet på pladen) ser ud til at stoppe på den allerøverste kant af indkapslingen. Se tabellen nedenfor vedrørende forholdet mellem tallet angivet på pladen og de respektive skruelængdeområder.

Tal angivet på pladen	Skruelængdeområde (mm)
25/28	25 - 28
32	28 - 35
40	35 - 41

Justering af idrivningsdybden

Tryk stopperfoden så langt som den kan komme. Mens du beholder den i denne position, skal du dreje på justeringsgrebet indtil spidsen af bitten rager ca. 5 mm ud fra stopperfoden. Skru en prøveskrue i. Hvis skruehovedet rager over idrivningsfladen, skal du dreje justeringsgrebet i A-retningen; hvis skruehovedet er undersænket, skal du dreje justeringsgrebet i B-retningen.

► Fig.5: 1. Stopperfod 2. Indkapsling 3. Justeringsgreb

Afbryderbetjening

► **Fig.6:** 1. Afbryderknap

⚠ **FORSIGTIG:**

- Inden akkuen sættes i maskinen, bør du altid kontrollere, at afbryderknappen fungerer korrekt, og returnerer til "OFF"-positionen, når den slippes.

For at starte maskinen skal du blot trykke på afbryderknappen. Slip afbryderknappen for at stoppe.

Omløbsvælgerbetjening

► **Fig.7:** 1. Omløbsvælger

Maskinen har en omløbsvælger til at ændre rotationsretningen. Skub omløbsvælgeren ind fra A-siden for omdrejning med uret, og fra B-siden for omdrejning mod uret.

Når omløbsvælgeren er i neutral stilling, kan afbryderknappen ikke trykkes ind.

⚠ **FORSIGTIG:**

- Kontroller altid rotationsretningen før anvendelsen.
- Brug kun omløbsvælgeren, efter maskinen er helt standset. Hvis rotationsretningen ændres, før maskinen er stoppet, kan det beskadige maskinen.
- Sæt altid omløbsvælgerarmen i neutral stilling, når maskinen ikke anvendes.

SAMLING

⚠ **FORSIGTIG:**

- Sørg altid for at maskinen er slukket, og at akkuen er taget ud, før der udføres noget arbejde på maskinen.

Montering eller afmontering af bitten

Løsn fingerskruerne som fastholder indkapslingen. Træk indkapslingen ud i pilens retning.

► **Fig.8:** 1. Indkapsling 2. Fingerskruer

Tryk støvdækslet mod planlejet og træk bitten ud. Hvis støvdækslet ikke kan flyttes så langt som planlejet, skal du prøve det igen efter du har drejet bitten en smule. For at montere bitten skal du sætte den ind i muffen, mens den drejes en smule. Efter montering skal du altid sikre dig, at bitten sidder godt fast, ved at forsøge at trække den ud.

► **Fig.9:** 1. Bit 2. Støvdæksel 3. Planleje

Montering af skruebånd

► **Fig.10:** 1. Fremføringskasse 2. Skruebånd 3. Skruestyrt

► **Fig.11:** 1. Idrivningsposition

Sæt skruebåndet ind gennem skruestyret. Sæt det derefter ind gennem fremføringskassen indtil den første skrue når positionen ved siden af idrivningspositionen.

Afmontering af skruebånd

For at afmontere skruebåndet skal du trække det ud i pilens retning.

► **Fig.12**

Hvis du trykker på tilbage-knappen, kan du trække skruebåndet i den modsatte retning af pilen.

► **Fig.13:** 1. Tilbage-knap

Bærekrog

Bærekrogen er praktisk til midlertidig påhægtning af maskinen. Den kan monteres på begge sider af maskinen.

Når du afmonterer bærekrogen, skal du gøre den bredere ved at trykke på dens højre ender PÅ BEGGE SIDER i pilens retninger (1) og løfte den i pilens retning (2).

► **Fig.14:** 1. Krog

ANVENDELSE

Anvendelse til idrivning

► **Fig.15**

Tænd for maskinen ved at trykke på afbryderknappen. Hold maskinen lige og fast ind mod idrivningsfladen. Der vil automatisk blive ført en skrue til idrivningspositionen og fastgjort.

⚠ **FORSIGTIG:**

- Kontroller altid bitten omhyggeligt for slid inden idrivningsbetjening. Udskift en slidt bit ellers kan det medføre dårlig fastgørelse.
- Hold altid maskinen lige i forhold til idrivningsfladen. Holdes den skævt kan det muligvis beskadige skruehovederne og forårsage slid på bitten. Dette kan muligvis også medføre dårlig fastgørelse.
- Hold altid maskinen fast mod idrivningsfladen, indtil idrivningen er færdig. Ellers kan det muligvis medføre utilstrækkelig fastgørelse af skrue.
- Pas på ikke at idrive en skrue oven i en allerede fastgjort skrue.
- Anvend ikke maskinen uden skrue. Dette vil beskadige idrivningsfladen.
- Hvis fremføringskassen ikke fungerer ordentligt, når der idrives skrue, skal du sprøjte bilvoks (spraytype) på glidefladerne. Den må aldrig smøres.

Idrivning i hjørne

► Fig.16: 1. Væg 2. Stopperfod

Denne maskine kan anvendes til idrivning fra en position 15 mm væk fra væggen som vist på figuren.

⚠FORSIGTIG:

- Idrivning fra en position tættere end 15 mm på væggen eller idrivning med stopperfoden i kontakt med væggen kan muligvis beskadige skruelhovederne og forårsage slid på bitten. Dette kan muligvis også medføre dårlig fastgørelse af skruer og funktionsfejl på maskinen.

VEDLIGEHOLDELSE

⚠FORSIGTIG:

- Vær altid sikker på, at maskinen er slukket, og at akkuen er taget ud, inden du begynder at udføre inspektion eller vedligeholdelse.
- Anvend aldrig benzin, rensebenzin, fortynder, alkohol eller lignende. Det kan medføre misfarvning, deformering eller revner.

Udskiftning af kulbørster

► Fig.17: 1. Slidgrænse

Udskift dem, når de er nedslidte til slidgrænsen. Hold kulbørsterne rene og fri til at glide i holderne. Begge kulbørsterne skal udskiftes samtidigt. Brug kun identiske kulbørster.

Løsn fingerskruerne som fastholder indkapslingen. Træk indkapslingen ud i pilens retning.

► Fig.18: 1. Indkapsling 2. Fingerskruer

Brug en skruetrækker til at fjerne to skruer, og fjern derefter frontdækslet.

► Fig.19: 1. Frontdæksel 2. Skruer

Løft armdelen af fjederen, og placer den derefter i fordybningen i kabinettet med en flad skruetrækker med tyndt skaft eller lignende.

► Fig.20: 1. Fjeder 2. Arm 3. Fordybning

Brug en tang til at fjerne kulbørsternes kulbørstedæksler. Fjern de slidte kulbørster, indsæt de nye, og sæt kulbørstedækslerne på igen i omvendt rækkefølge.

► Fig.21: 1. Kulbørstedæksel

Kontrollér, at kulbørstedækslerne sidder godt fast i hullerne i børsteholderne.

► Fig.22: 1. Hul 2. Kulbørstedæksel

Monter frontdækslet igen, og stram to skruer forsvarligt.

For at opretholde produktets SIKKERHED og PÅLIDELIGHED må reparation, vedligeholdelse eller justering kun udføres af et autoriseret Makita-servicecenter med anvendelse af Makita-reservedele.

EKSTRAUDSTYR

⚠FORSIGTIG:

- Dette tilbehør og ekstraudstyr er anbefalet til brug med din Makita-maskine, der er beskrevet i denne brugsanvisning. Anvendelse af andet tilbehør eller ekstraudstyr kan udgøre en risiko for personskade. Anvend kun tilbehør og ekstraudstyr til dets beskrevne formål.

Hvis du behøver hjælp til at få yderligere informationer om dette tilbehør, bedes du kontakte dit lokale Makita-servicecenter.

- Skrubebånd til gipsvægge
- Stjerneskruebit
- Forskellige typer originale Makita akkuer og opladere
- Plastikbæretaske

BEMÆRK:

- Nogle ting på denne liste kan være inkluderet i værktøjspakken som standardtilbehør. De kan muligvis variere fra land til land.

SPECIFIKĀCIJAS

Modelis	DFR450X
Lentā savienotas skrūves	4 mm x 25 mm - 41 mm
Tukšgaitas ātrums (min ⁻¹)	4 000
Kopējais garums	369 mm
Neto svars	1,9 - 2,9 kg
Nominālais spriegums	Līdzstrāva 18 V

- Nepārtrauktās izpētes un izstrādes programmas dēļ šeit uzrādītās specifikācijas var tikt mainītas bez brīdinājuma.
- Atkarībā no valsts specifikācijas var atšķirties.
- Svārs var būt atšķirīgs atkarībā no papildierīces(-ēm), tostarp akumulatora kasetnes. Tabulā ir attēlota vieglākā un smagākā kombinācija atbilstoši EPTA procedūrai 01/2014.

Piemērotā akumulatora kasetne un lādētājs

Akumulatora kasetne	BL1815N / BL1820 / BL1820B / BL1830 / BL1830B / BL1840 / BL1840B / BL1850 / BL1850B / BL1860B
Lādētājs	DC18RC / DC18RD / DC18RE / DC18SD / DC18SE / DC18SF / DC18SH

- Daži no iepriekš norādītajiem lādētājiem un akumulatora kasetnēm var nebūt pieejami atkarībā no jūsu mītnes reģiona.

▲BRĪDINĀJUMS: Izmantojiet vienīgi iepriekš norādītās akumulatora kasetnes un lādētājus. Cita tipa akumulatora kasetņu un lādētāju izmantošana var radīt traumu un/vai aizdegšanās risku.

Paredzētā lietošana

Šis darbarīks ir paredzēts skrūvju ieskrūvēšanai kokā, metālā un plastmasā.

Trokšņa līmenis

Tipiskais A-svārtais trokšņa līmenis ir noteikts saskaņā ar EN62841:

Skaņas spiediena līmenis (L_{PA}): 78 dB (A)

Neskaidrība (K): 3 dB (A)

Darbības laikā trokšņa līmenis var pārsniegt 80 dB (A).

PIEZĪME: Paziņotā trokšņa emisijas vērtība noteikta atbilstoši standarta pārbaudes metodei, un to var izmantot, lai salīdzinātu vienu darbarīku ar citu.

PIEZĪME: Paziņoto trokšņa emisijas vērtību arī var izmantot iedarbības sākotnējā novērtējumā.

▲BRĪDINĀJUMS: Lietojiet ausu aizsargus.

▲BRĪDINĀJUMS: Trokšņa emisija patiesos darba apstākļos var atšķirties no paziņotās vērtības atkarībā no darbarīka izmantošanas veida un jo īpaši atkarībā no apstrādājamā materiāla veida.

▲BRĪDINĀJUMS: Lai aizsargātu lietotāju, nosakiet drošības pasākumus, kas pamatoti ar iedarbību reālos darba apstākļos (ņemot vērā visus ekspluatācijas cikla posmus, piemēram, laiku, kamēr darbarīks ir izslēgts un kad darbojas tukšgaitā, kā arī palaišanas laiku).

Vibrācija

Vibrācijas kopējā vērtība (trīs asu vektora summa) noteikta saskaņā ar EN62841:

Darba režīms: skrūvēšana bez triecienrežīma

Vibrācijas emisija (a_v): 2,5 m/s² vai mazāk

Neskaidrība (K): 1,5 m/s²

PIEZĪME: Paziņotā kopējā vibrācijas vērtība noteikta atbilstoši standarta pārbaudes metodei, un to var izmantot, lai salīdzinātu vienu darbarīku ar citu.

PIEZĪME: Paziņoto kopējo vibrācijas vērtību arī var izmantot iedarbības sākotnējā novērtējumā.

▲BRĪDINĀJUMS: Vibrācijas emisija patiesos darba apstākļos var atšķirties no paziņotās vērtības atkarībā no darbarīka izmantošanas veida un jo īpaši atkarībā no apstrādājamā materiāla veida.

▲BRĪDINĀJUMS: Lai aizsargātu lietotāju, nosakiet drošības pasākumus, kas pamatoti ar iedarbību reālos darba apstākļos (ņemot vērā visus ekspluatācijas cikla posmus, piemēram, laiku, kamēr darbarīks ir izslēgts un kad darbojas tukšgaitā, kā arī palaišanas laiku).

EK atbilstības deklarācija

Tikai Eiropas valstīm

EK atbilstības deklarācija šajā lietošanas rokasgrāmatā ir iekļauta kā A pielikums.

Vispārīgi elektrisko darbarīku drošības brīdinājumi

▲BRĪDINĀJUMS: Izlasiet visus drošības brīdinājumus, instrukcijas, apskatiet ilustrācijas un tehniskos datus, kas iekļauti mehānizētā darbarīka komplektācijā. Ja netiek ievēroti visi tālāk minētie noteikumi, var tikt izraisīta elektrotrauma, notikt aizdegšanās un/vai rasties smagas traumas.

Glabājiet visus brīdinājumus un norādījumus, lai varētu tajos ieskatīties turpmāk.

Termins „elektrisks darbarīks” brīdinājumus attiecas uz tādu elektrisko darbarīku, ko darbina ar elektrību (ar vadu), vai tādu, ko darbina ar akumulatoru (bez vada).

Drošības brīdinājumi attiecībā uz bezvadu skrūvgriezi

1. Turiet elektrisko darbarīku aiz izolētajām satveršanas virsmām, veicot darbu, kura gaitā stīprinājums varētu saskarties ar neredzamu elektroinstalāciju. Stīprinājumiem saskaroties ar zem sprieguma esošu vadu, elektriskā darbarīka ārējās metāla virsmas var vadīt strāvu un radīt lietotājam elektrotraumu.
2. Vienmēr stāviet stabili. Ja lietojat darbarīku, strādājot augstumā virs zemes, pārliecinieties, ka apakšā neviena nav.
3. Turiet darbarīku stingri.
4. Netuviniet rokas rotējošām daļām.
5. Nepieskarieties uzgalim vai apstrādājamajam materiālam tūlīt pēc darba veikšanas; tie var būt ļoti karsti un apdedzināt ādu.
6. Apstrādājamus materiālus vienmēr ievietojiet skrūvspilēs vai citā stīprinājuma ierīcē.

SAGLABĀJIET ŠOS NORĀDĪJUMUS.

▲BRĪDINĀJUMS: NEPIELĀUJIET to, ka labu iemaņu vai izstrādājuma labas pārzināšanas (darbarīku atkārtoti ekspluatējot) rezultātā vairs stingri neievērojat šī izstrādājuma drošības noteikumus.

NEPAREIZI LIETOJOT darbarīku vai neievērojot šajā instrukciju rokasgrāmatā minētos drošības noteikumus, var tikt gūtas smagas traumas.

Svarīgi drošības norādījumi par akumulatora kasetni

1. Pirms akumulatora lietošanas izlasiet visus norādījumus un brīdinājumus, kuri attiecas uz (1) akumulatora lādētāju, (2) akumulatoru un (3) ierīci, kurā tiek izmantots akumulators.
2. Neizjauciet akumulatoru.
3. Ja akumulatora darbības laiks kļūva ievērojami īsāks, nekavējoties pārtrauciet to izmantot. Citādi, tas var izraisīt pārkarsējumu, uzliesmojumu vai pat sprādzienu.
4. Ja elektrolīts nonāk acīs, izskalojiet tās ar tīru ūdens un nekavējoties griezieties pie ārsta. Tas var izraisīt redzes zaudēšanu.
5. Neradiet īssavienojumu akumulatora kasetnē:
 - (1) Nepieskarieties spaiļem ar elektrību vadošiem materiāliem.
 - (2) Neuzglabājiet akumulatoru kasetni kopā ar citiem metāla priekšmetiem, tādiem kā naglas, monētas u. c.
 - (3) Nepakļaujiet akumulatora kasetni ūdens vai lietus iedarbībai.

Akumulatora īssavienojums var radīt spēcīgu strāvas plūsmu, pārkaršanu, uzliesmojumu un pat sabojāt akumulatoru.

6. Neglabājiet darbarīku un akumulatora kasetni vietās, kur temperatūra var sasniegt vai pārsniegt 50 °C (122 °F).
7. Nededziniet akumulatora kasetni, pat ja tā ir stipri bojāta vai pilnībā nolietota. Akumulatora kasetne ugunī var eksplodēt.
8. Uzmanieties, lai nelautu akumulatoram nokrist un nepakļautu to sītiemam.
9. Neizmantojiet bojātu akumulatoru.
10. Uz izmantotajiem litija jonu akumulatoriem attiecas likumdošanas prasības par bīstamiem izstrādājumiem. Komerציאלā transportēšanā, ko veic, piemēram, trešās puses, transporta uzņēmumi, jāievēro uz iesaņojuma un marķējuma norādītās īpašās prasības. Lai izstrādājumu sagatavotu nosūtīšanai, jāsaņina ar bīstamo materiālu speciālistu. Ievērojiet arī citus attiecināmos valsts normatīvus. Vaļējus kontaktus nosedziet ar līmteni vai citādi pārklājiet, bet akumulatoru iesaņojiet tā, lai sāņin tas nevarētu izkustēties.
11. Lai utilizētu akumulatora kasetni, izņemiet to no darbarīka un likvidējiet drošā vietā. Ievērojiet vietējos noteikumus par akumulatora likvidēšanu.
12. Izmantojiet šos akumulatorus tikai ar izstrādājumiem, kurus norādījis Makita. Ievietojot šos akumulatorus nesaderīgos izstrādājumos, var rasties ugunsgrēks, pārmērīgs karstums, tie var uzsprāgt vai no tiem var izteciēt elektrolīts.
13. Ja darbarīks netiks lietots ilgu laiku, no tā jāizņem akumulators.

SAGLABĀJIET ŠOS NORĀDĪJUMUS.

▲UZMANĪBU: Lietojiet tikai oriģinālos Makita akumulatorus. Ja lietojat neoriģinālus Makita akumulatorus vai pārveidotus akumulatorus, tie var uzsprāgt un izraisīt aizdegšanos, traumas un materiālos zaudējumus. Tiks anulēta arī Makita darbarīka un lādētāja garantija.

Ieteikumi akumulatora kalpošanas laika pagarināšanai

1. Uzlādējiet akumulatora kasetni, pirms tā ir pilnībā izlādējusies. Vienmēr, kad ievērojat, ka darbarīka darba jauda zudusi, apturiet darbarīku un uzlādējiet akumulatora kasetni.
2. Nekad neuzlādējiet pilnībā uzlādētu akumulatora kasetni. Pārmērīga uzlāde saņsina akumulatora kalpošanas laiku.
3. Uzlādējiet akumulatora kasetni istabas temperatūrā 10 °C - 40 °C. Karstai akumulatora kasetnei pirms uzlādes ļaujiet atdzist.
4. Uzlādējiet litija jonu akumulatora kasetni, ja to ilgstoši nelietosit (vairāk nekā sešus mēnešus).

FUNKCIJU APRAKSTS

⚠ UZMANĪBU:

- Pirms darbarīka regulēšanas vai tā darbības pārbaudes vienmēr pārliecinieties, ka darbarīks ir izslēgts un akumulatora kasetne ir izņemta.

Akumulatora kasetnes uzstādīšana un izņemšana

- **Att.1:** 1. Sarkans indikators 2. Poga 3. Akumulatora kasetne

⚠ UZMANĪBU:

- Vienmēr pirms akumulatora kasetnes uzstādīšanas vai noņemšanas izslēdziet darbarīku.
- **Uzstādot vai izņemot akumulatora kasetni, darbarīku un akumulatora kasetni turiet cieši.** Ja darbarīku un akumulatora kasetni netur cieši, tie var izkrist no rokām un radīt bojājumus darbarīkam un akumulatora kasetnei, kā arī izraisīt ievainojumus.

Lai izņemtu akumulatora kasetni, izvelciet to no darbarīka, pārbīdot kasetnes priekšpusē esošo pogu. Lai uzstādītu akumulatora kasetni, salāgojiet mēlīti uz akumulatora kasetnes ar rievu ietvarā un iebīdīdīt to vietā. Bīdīt to iekšā līdz klikšķim, kas nozīmē, ka tā ir pareizi uzstādīta. Ja pogas augšējā daļā ir redzams sarkans indikators, tas nozīmē, ka tā nav pilnīgi bloķēta.

⚠ UZMANĪBU:

- Vienmēr ievietojiet akumulatora kasetni tā, lai sarkanais indikators nebūtu redzams. Pretējā gadījumā tā var nejauši izkrist no darbarīka un radīt jums vai apkārtnējiem ievainojumu.
- Neievietojiet akumulatora kasetni ar spēku. Ja kasetne neslīd ietvarā viegli, tā nav pareizi ielikta.

Akumulatora aizsardzības sistēma (litija jonu akumulators ar zvaigznes emblēmu)

- **Att.2:** 1. Zvaigznes emblēma

Litija jonu akumulatori ar zvaigznes emblēmu ir aprīkoti ar aizsardzības sistēmu. Šī sistēma automātiski izslēdz jaudas padevi darbarīkam, lai pagarinātu akumulatora kalpošanas laiku. Darbarīks automātiski pārstās darboties ekspluatācijas laikā, ja darbarīku un/vai akumulatoru pakļaus kādam no šiem apstākļiem:











- Pārslodze:
Darbarīku ekspluatācijas laikā lieto tādā veidā, ka tas saista pārmērīgu strāvu. Šādā gadījumā atļaidiet darbarīka slēdža mēlīti un pārtrauciet darbību, kas izraisīja darbarīka pārslodzi. Pēc tam vēlreiz nospiediet slēdža mēlīti, lai atsāktu. Ja darbarīks nesāk darboties, akumulators ir pārkarsis. Šādā gadījumā ļaujiet akumulatoram atdzist, pirms vēlreiz nospiešat slēdža mēlīti.
- Zema akumulatora jauda:
Akumulatora atlikusi jauda ir pārāk zema, un darbarīks nedarbosies. Šādā gadījumā akumulatoru noņemiet un veiciet tam uzlādi.

Atlikušās akumulatora jaudas indikators

Tikai akumulatora kasetnēm ar indikatoru

- **Att.3:** 1. Indikatora lampas 2. Pārbaudes poga

Nospiediet akumulatora kasetnes pārbaudes pogu, lai pārbaudītu akumulatora atlikušo uzlādes līmeni. Indikatoru iedegsies uz dažām sekundēm.

Indikatora lampas			Atlikusī jauda
 Iededzies	 Izslēgts	 Mirgo	
			No 75% līdz 100%
			No 50% līdz 75%
			No 25% līdz 50%
			No 0% līdz 25%
			Uzlādējiet akumulatoru.
			Iespējama akumulatora kļūme.
			

PIEZĪME: Reālā jauda var nedaudz atšķirties no norādītās atkarībā no lietošanas apstākļiem un apkārtnējās temperatūras.

Uzstādīšana vēlamajam skrūves garumam

- **Att.4:** 1. Svira 2. Aiztura pamatne 3. Plāksne 4. Ietvars

Var uzstādīt 3 nekustīgās bloķēšanas skrūves garumus. Lai uzstādītu vēlamajā garumā, nospiežot sviru, izvelciet aiztura pamatni, līdz varat saskatīt vēlamā skrūves garuma (norādīts uz plāksnes) ciparu, kas novietojies uz ietvara pašas augšējās malas. Skatiet turpmāk redzamo tabulu, lai noskaidrotu sakarību starp ciparu, kas norādīts uz plāksnes, un attiecīgajiem dažādajiem skrūvju garumiem.

Uz plāksnes norādītais cipars	Skrūvju garuma diapazons (mm)
25/28	25 - 28
32	28 - 35
40	35 - 41

Skrūvēšanas dziļuma regulēšana

Nospiediet aiztura pamatni līdz galam. Turot to šajā stāvoklī, pagrieziet regulēšanas rokturi, līdz uzgaļa gals izvirzās no aiztura pamatnes par apmēram 5 mm. Ieskrūvējiet pārbaudes skrūvi. Ja skrūves galviņa izvirzās virs skrūvēšanas virsmas, pagrieziet regulēšanas rokturi A virzienā; ja skrūves galviņa ir iegrimusi, pagrieziet regulēšanas rokturi B virzienā.

- **Att.5:** 1. Aiztura pamatne 2. Ietvars 3. Regulēšanas rokturis

Slēdža darbība

► **Att.6:** 1. Slēdža mēlīte

⚠ UZMANĪBU:

- Pirms akumulatora kasetnes uzstādīšanas darbarīkā, vienmēr pārbaudiet, vai slēdža mēlīte darbojas pareizi un pēc atlaišanas atgriežas "OFF" (izslēgts) stāvoklī.

Lai iedarbinātu darbarīku, vienkārši pavelciet slēdža mēlīti. Lai apturētu darbarīku, atlaidiet slēdža mēlīti.

Griešanās virziena pārslēdzēja darbība

► **Att.7:** 1. Griešanas virziena pārslēdzēja svira

Šis darbarīks ir aprīkots ar pārslēdzēju, kas ļauj mainīt griešanās virzienu. Nospiediet griešanās virziena pārslēdzēja sviru no "A" puses rotācijai pulksteņrādītāja virzienā vai no "B" puses rotācijai pretēji pulksteņrādītāja virzienam.

Ja griešanās virziena pārslēdzēja svira atrodas neitrālajā stāvoklī, slēdža mēlīti nevar nospiegt.

⚠ UZMANĪBU:

- Pirms sākat strādāt vienmēr pārbaudiet griešanās virzienu.
- Izmantojiet griešanās virziena pārslēdzēju tikai pēc darbarīka pilnas apstāšanās. Griešanās virziena maiņa pirms darbarīka pilnas apstāšanās var to sabojāt.
- Kamēr darbarīks netiek izmantots, vienmēr uzstādiēt griešanās virziena pārslēdzēja sviru neitrālajā stāvoklī.

MONTĀŽA

⚠ UZMANĪBU:

- Pirms darbarīka regulēšanas vai apkopes vienmēr pārliecinieties, ka darbarīks ir izslēgts un akumulatora kasetne ir izņemta.

Uzgaļa uzstādīšana vai noņemšana

Atskrūvējiet spārnskrūves, ar ko piestiprināts ietvars. Izvelciet ietvaru bultiņas virzienā.

► **Att.8:** 1. Ietvars 2. Spārnskrūves

Spiediet putekļu aizsargu parastā gultņa virzienā un izvelciet uzgali ārā. Ja putekļu aizsargu nav iespējams ievietot līdz parastajam gultnim, mēģiniet vēlreiz, nedaudz pagriežot uzgali.

Lai uzstādītu uzgali, nedaudz pagriežot to, ievietojiet uzgali galatslēgā. Pēc uzstādīšanas, mēģinot uzgali izvilkt ārā, vienmēr pārliecinieties, vai tas stingri turas tam paredzētajā vietā.

► **Att.9:** 1. Urbis 2. Putekļsargs 3. Parastais gultnis

Lentā savienotu skrūvju uzstādīšana

► **Att.10:** 1. Padevēja ieliktnis 2. Lentā savienotas skrūves 3. Skrūvju vadītka

► **Att.11:** 1. Skrūvēšanas stāvoklis

Ievietojiet lentā savienotās skrūves caur skrūvju vadītku. Pēc tam to ievietojiet caur padeves ieliktni, līdz pirmā skrūve atrodas stāvoklī, kas ir blakus skrūvēšanas stāvoklim.

Lentā savienotu skrūvju noņemšana

Lai noņemtu lentā savienotās skrūves, izvelciet tās bultiņas virzienā.

► **Att.12**

Ja nospiedīsiet pretējā virziena pogu, lentā savienotās skrūves varēsiet izvilkt bultiņai pretējā virzienā.

► **Att.13:** 1. Pretējā virziena pogā

Pārnēsāšanas āķis

Pārnēsāšanas āķis ir noderīgs, ja darbarīks uz kādu laiku ir jāaizāķē. To var uzstādīt jebkurā darbarīka pusē. Uzstādot vai noņemot pārnēsāšanas āķi, paplašiniet to, spiežot tā labās rokas galus ABAS PUSĒS (1) bultiņas virzienos un paceļot to (2) bultiņas virzienā.

► **Att.14:** 1. Āķis

EKSPLUATĀCIJA

Skrūvēšana

► **Att.15**

Iedarbiniet darbarīku, pavelkot slēdža mēlīti. Turiet darbarīku paralēli un tieši pretī skrūvējamajai virsmai. Skrūve tiks automātiski novietota skrūvēšanas stāvoklī un ieskrūvēta.

⚠ UZMANĪBU:

- Pirms skrūvēšanas darbībām vienmēr uzmanīgi pārbaudiet uzgali, vai tas nav nodilis. Nomainiet nodiļušo uzgali, jo pretējā gadījumā stiprinājums būs pārāk mazs.
- Vienmēr turiet darbarīku paralēli skrūvējamajai virsmai. Turot to leņķī, skrūves galviņas var tikt sabojātas un uzgalis var nodilt. Rezultātā arī stiprinājums var būt pārāk mazs.
- Vienmēr stingri turiet darbarīku pret skrūvējamo virsmu, līdz skrūvēšana ir pabeigta. Ja šādi nerīkosieties, skrūves var nebūt pietiekami cieši pieskrūvētas.
- Uzmanieties, lai neuzskrūvētu skrūvi virsū citai pieskrūvētai skrūvei.
- Nedarbiniet darbarīku, ja tajā nav skrūvju. Rezultātā skrūvējamā virsma būs bojāta.
- Ja, skrūvējot skrūves, padeves ieliktnis nedarbojas vienmērīgi, uz tā virzošajām virsmām izsmidziniet automašīnu vasku (aerosola veida vasku). Nekad neļojiet to.

Skrūvēšana stūrī

► **Att.16:** 1. Siena 2. Aiztura pamatne

Šo darbarīku var izmantot skrūvēšanai 15 mm attālumā no sienas, kā attēlots zīmējumā.

UZMANĪBU:

- Skrūvējot stāvoklī, kas ir tuvāk par 15 mm no sienas, vai skrūvējot, kad aiztura pamatne pieskaras sienai, skrūves galviņas var sabojāt, un uzgalis var nodilt. Rezultātā arī skrūvju stiprinājums var būt pārāk mazs, un darbarīks var sabojāties.

APKOPE

UZMANĪBU:

- Pirms darbarīka pārbaudes vai apkopes vienmēr pārliecinieties, ka darbarīks ir izslēgts un akumulatora kasetne ir izņemta.
- Nekad neizmantojiet gāzoliņu, benzīnu, atšķaidītāju, spirtu vai līdzīgus šķidrumus. Tas var radīt izbalēšanu, deformāciju vai plaisas.

Ogles suku nomaīņa

► **Att.17:** 1. Robežas atzīme

Kad ogles suku ir nolietojušās līdz robežas atzīmei, nomainiet tās. Rūpējieties, lai ogles suku būtu tīras, un pārbaudiet, vai tās var brīvi ievietot turekļos. Abas ogles suku ir jānomaina vienlaikus. Izmantojiet tikai identiskas ogles suku.

Atskrūvējiet spārnskrūves, ar ko piestiprināts ietvars. Izvelciet ietvaru bultiņas virzienā.

► **Att.18:** 1. Ietvars 2. Spārnskrūves

Ar skrūvgriezi izskrūvējiet divas skrūves, tad noņemiet priekšējo apvāku.

► **Att.19:** 1. Priekšējais apvāks 2. Skrūves

Paceliet atsperes kļoķa daļu un tad ar tievas vārpstas rievas uzgaļa skrūvgriezi vai līdzīgu rīku ievietojiet to korpusa padziļinājumā.

► **Att.20:** 1. Atspere 2. Kļoķis 3. Padziļinājums

Ar knaiblēm noņemiet ogles suku vāciņus. Izņemiet nolietotās ogles suku, ievietojiet jaunas un uzlieciet ogles suku vāciņus atpakaļ apgrieztā secībā.

► **Att.21:** 1. Ogles suku uzgalis

Pārbaudiet, vai ogles suku vāciņi ir cieši ievietoti suku turekļu caurumos.

► **Att.22:** 1. Caurums 2. Ogles suku uzgalis

Uzstādiet priekšējo apvāku atpakaļ un cieši pieskrūvējiet abas skrūves.

Lai saglabātu produkta DROŠU un UZTICAMU darbību, remontdarbus, apkopi un regulēšanu uztīciet veikt tikai Makita pilnvarotam apkopes centram un vienmēr izmantojiet tikai Makita rezerves daļas.

PAPILDU PIEDERUMI

UZMANĪBU:

- Šādi piederumi un rīki tiek ieteikti lietošanai ar šajā pamācībā aprakstīto Makita instrumentu. Jebkādu citu piederumu un rīku izmantošana var radīt traumu briesmas. Piederumu vai rīku izmantojiet tikai tā paredzētajam mērķim.

Ja jums vajadzīga palīdzība vai precīzāka informācija par šiem piederumiem, vērsieties savā tuvākajā Makita apkopes centrā.

- Lentā savienotas skrūves sausam mūrim
- Krustveidīgs uzgalis
- Dažādi uzņēmuma Makita ražotie akumulatori un lādētāji
- Plastmasas pārnēsāšanas soma

PIEZĪME:

- Daži sarakstā norādītie izstrādājumi var būt iekļauti instrumenta komplektācijā kā standarta piederumi. Tie dažādās valstīs var būt atšķirīgi.

SPECIFIKACIJOS

Modelis	DFR450X
Varžtų juosta	4 mm x 25 mm - 41 mm
Greitis be apkrovos (min ⁻¹)	4 000
Bendras ilgis	369 mm
Neto svoris	1,9 - 2,9 kg
Nominali įtampa	Nuol. sr. 18 V

- Atlikame tęsinius tyrimus ir nuolat tobuliname savo gaminius, todėl čia pateikiamos specifikacijos gali būti keičiamos be įspėjimo.
- Skirtingose šalyse specifikacijos gali skirtis.
- Svoris gali priklausyti nuo priedo (-ų), įskaitant akumulatoriaus kasetę. Lengviausias ir sunkiausias deriniai pagal EPTA 2014 m. sausio mėn. procedūrą yra parodyti lentelėje.

Tinkama akumulatoriaus kasetė ir (arba) įkroviklis

Akumulatoriaus kasetė	BL1815N / BL1820 / BL1820B / BL1830 / BL1830B / BL1840 / BL1840B / BL1850 / BL1850B / BL1860B
Įkroviklis	DC18RC / DC18RD / DC18RE / DC18SD / DC18SE / DC18SF / DC18SH

- Atsižvelgiant į gyvenamosios vietos regioną, kai kurios pirmiau nurodytos akumulatoriaus kasetės ir įkrovikliai gali būti neprieinami.

⚠️ISPĖJIMAS: Naudokite tik akumulatoriaus kasetes ir įkroviklius, kurie nurodyti anksčiau. Naudojant bet kurias kitas akumulatoriaus kasetes ir įkroviklius, gali kilti sužeidimo ir gaisro pavojus.

Paskirtis

Šis įrankis skirtas sukti varžtams medienoje, metale ir plastmasėje.

Triukšmas

Tipiškas A svertinis triukšmo lygis nustatytas pagal EN62841:

Garso slėgio lygis (L_{PA}): 78 dB (A)

Paklaida (K): 3 dB (A)

Dirbant triukšmo lygis gali viršyti 80 dB (A).

PASTABA: Paskelbta (-os) triukšmo reikšmė (-ės) nustatyta (-os) pagal standartinį testavimo metodą ir jį galima naudoti vienam įrankiui palyginti su kitu.

PASTABA: Paskelbta (-os) triukšmo reikšmė (-ės) taip pat gali būti naudojama (-os) norint preliminariai įvertinti triukšmo poveikį.

⚠️ISPĖJIMAS: Dėvėkite ausų apsaugą.

⚠️ISPĖJIMAS: Faktiškai naudojant elektrinį įrankį, keliamo triukšmo dydis gali skirtis nuo paskelbtos (-ų) reikšmės (-ių), priklausomai nuo būdų, kuriais yra naudojamas šis įrankis, ir ypač nuo to, kokio tipo ruošinys apdirbamas.

⚠️ISPĖJIMAS: Siekdami apsaugoti operatorių, būtinai įvertinkite saugos priemones, remdamiesi vibracijos poveikio įvertinimu esant faktinėms naudojimo sąlygoms (atsižvelgdami į visas darbo ciklo dalis, pavyzdžiui, ne tik kiek laiko įrankis veikia, bet ir kiek kartų jis yra išjungiamas bei kai jis veikia be apkrovų).

Vibracija

Vibracijos bendroji vertė (trijų ašių vektorinė suma) nustatyta pagal EN62841:

Darbo režimas: sukimas be smūgių

Vibracijos emisija (a_h): 2,5 m/s² arba mažiau

Paklaida (K): 1,5 m/s²

PASTABA: Paskelbta (-os) vibracijos bendroji (-osios) reikšmė (-ės) nustatyta (-os) pagal standartinį testavimo metodą ir jį galima naudoti vienam įrankiui palyginti su kitu.

PASTABA: Paskelbta (-os) vibracijos bendroji (-osios) reikšmė (-ės) taip pat gali būti naudojama (-os) norint preliminariai įvertinti vibracijos poveikį.

⚠️ISPĖJIMAS: Faktiškai naudojant elektrinį įrankį, keliamos vibracijos dydis gali skirtis nuo paskelbtos (-ų) reikšmės (-ių), priklausomai nuo būdų, kuriais yra naudojamas šis įrankis, ir ypač nuo to, kokio tipo ruošinys apdirbamas.

⚠️ISPĖJIMAS: Siekdami apsaugoti operatorių, būtinai įvertinkite saugos priemones, remdamiesi vibracijos poveikio įvertinimu esant faktinėms naudojimo sąlygoms (atsižvelgdami į visas darbo ciklo dalis, pavyzdžiui, ne tik kiek laiko įrankis veikia, bet ir kiek kartų jis yra išjungiamas bei kai jis veikia be apkrovų).

EB atitikties deklaracija

Tik Europos šalims

EB atitikties deklaracija yra pridedama kaip šio instrukcijų vadovo A priedas.

Bendrieji įspėjimai dirbant elektriniais įrankiais

⚠️ ĮSPĖJIMAS: Perskaitykite visus saugos įspėjimus, instrukcijas, iliustracijas ir techninius duomenis, pateiktus kartu su šiuo elektriniu įrankiu. Nesilaikant visų toliau išvardytų instrukcijų galima patirti elektros smūgį, gali kilti gaisras ir (arba) galima sunkiai susižaloti.

Išsaugokite visus įspėjimus ir instrukcijas, kad galėtumėte jas peržiūrėti ateityje.

Terminas „elektrinis įrankis“ pateiktuose įspėjimuose reiškia į maitinimo tinklą jungiamą (laidinį) elektrinį įrankį arba akumuliatoriaus maitinamą (belaidį) elektrinį įrankį.

Belaidžio atsuktuvo saugos įspėjimai

1. Atlikdami darbus, kurių metu tvirtinimo detalė gali paliesiti paslėptus laidus, laikykite elektrinį įrankį tik už izoliuotų, laikyti skirtų paviršių. Jei tvirtinimo detalės palies laidą su įtampa, elektrinio įrankio metalinės dalys taip pat gali tapti su įtampa, todėl operatorius gali patirti elektros šoką.
2. Visuomet užtikrinkite, kad pagrindas būtų tvirtas. Įsitikinkite, kad nieko nėra apačioje, kai įrankį naudojate aukštyje.
3. Tvirtai laikykite įrankį.
4. Patraukite rankas nuo besisukančių dalių.
5. Nelieskite antgalio arba ruošinio iškart po naudojimo; jie gali būti itin karšti ir nudeginti odą.
6. Visada pritvirtinkite ruošinį spaustuvuose arba panašiam prilaikymo prietaisui.

SAUGOKITE ŠIAS INSTRUKCIJAS.

⚠️ ĮSPĖJIMAS: NELEISKITE, kad patogumas ir gaminio pažinimas (įgyjamas pakartotinai naudojant) susilpnintų griežtą saugos taisyklių, taikytinų šiam gaminiui, laikymąsi.

Dėl NETINKAMO NAUDOJIMO arba saugos taisyklių, kurios pateiktos šioje instrukcijoje, nesilaikymo galima rimtai susižeisti.

Svarbios saugos instrukcijos, taikomos akumuliatoriaus kasetei

1. Prieš naudodami akumuliatoriaus kasetę, perskaitykite visas instrukcijas ir perspėjimus ant (1) akumuliatorių įkroviklio, (2) akumuliatorių ir (3) akumuliatorių naudojančio gaminio.
2. Neardykite akumuliatoriaus kasetės.
3. Jei įrankio darbo laikas žymiai sutrumpėjo, nedelsdami nutraukite darbą su įrankiu. Tai gali kelti perkaitimą, nudegimų ar net sprogimo pavojų.
4. Jei elektrolitas pateko į akis, plaukites jas tyru vandeniu ir nedelsdami kreipkitės į gydytoją. Gali kilti regėjimo praradimo pavojus.

5. Neužtrumpinkite akumuliatoriaus kasetės:
 - (1) Nelieskite kontaktų degiomis medžiagomis.
 - (2) Venkite laikyti akumuliatoriaus kasetę kartu su kitais metaliniais daiktais, pavyzdžiui, vinimis, monetomis ir pan.
 - (3) Saugokite akumuliatoriaus kasetę nuo vandens ir lietaus.Trumpasis jungimas akumuliatoriuje gali sukelti stiprią srovę, perkaitimą, galimus nudegimus ar net akumuliatoriaus gedimą.
6. Nelaikykite įrankio ir akumuliatoriaus kasetės vietoje, kur temperatūra gali pasiekti ar viršyti 50 °C.
7. Nedeginkite akumuliatoriaus kasetės, net jei yra stipriai pažeista ar visiškai susidėvėjusi. Ugnyje akumuliatoriaus kasetę gali sprogti.
8. Saugokite akumuliatorių nuo kritimo ir smūgių.
9. Nenaudokite pažeisto akumuliatoriaus.
10. Įdėtoms ličio jonų akumuliatoriams taikomi Pavojingų prekių teisės akto reikalavimai. Komercinis transportas, pvz., trečiųjų šalių, prekių vežimo atstovų, turi laikytis specialaus reikalavimo ant pakuotės ir ženklavimo. Norėdami paruošti siųstiną prekę, pasitarkite su pavojingų medžiagų specialistu. Be to, laikykitės galimai išsamesnių nacionalinių reglamentų. Užklijuokite juosta arba padenkite atvirus kontaktus ir supakuokite akumuliatorių taip, kad jie pakuotėje nejudėtų.
11. Kai išmetate akumuliatoriaus kasetę, išimkite ją iš įrankio ir išmeskite saugioje vietoje. Vadovaukitės vietos reglamentais dėl akumuliatorių išmetimo.
12. Baterijas naudokite tik su „Makita“ nurodytais gaminiais. Baterijas įdėjęs į netinkamus gaminius gali kilti gaisras, gaminys pernelyg kaisti, kilti sprogimas arba pratekėti elektrolitas.
13. Jei įrankis bus ilgą laiką nenaudojamas, akumuliatorių būtina išimti iš įrankio.

SAUGOKITE ŠIAS INSTRUKCIJAS.

⚠️ PERSPĖJIMAS: Naudokite tik originalų „Makita“ akumuliatorių. Neoriginalaus „Makita“ arba pakeisto akumuliatoriaus naudojimas gali nulėmti gaisrą, asmens sužalojimą ir pažeidimą. Tai taip pat panaikina „Makita“ suteikiamą „Makita“ įrankio ir įkroviklio garantiją.

Patarimai, ką daryti, kad akumuliatorius veiktų kuo ilgiau

1. Pakraukite akumuliatoriaus kasetę prieš jai visiškai išsikraunant. Visuomet nustokite naudoti įrankį ir pakraukite akumuliatoriaus kasetę, kai pastebite, kad įrankio galia sumažėjo.
2. Niekada nekraukite iki galo įkrautos akumuliatoriaus kasetės. Perkraunant trumpėja akumuliatoriaus eksploatacijos laikas.
3. Akumuliatoriaus kasetę kraukite esant kambario temperatūrai 10 - 40 °C. Prieš pradėdami krauti, leiskite įkautusiai akumuliatoriaus kasetei atvėsti.
4. Įkraukite akumuliatoriaus kasetę, jei jos nenaudojate ilgą laiką (ilgiau nei šešis mėnesius).

VEIKIMO APRAŠYMAS

▲ PERSPĖJIMAS:

- Prieš reguliuodami įrenginį arba tikrindami jo veikimą visada patikrinkite, ar įrenginys išjungtas, o akumuliatorių kasetė - nuimta.

Akumuliatoriaus kasetės uždėjimas ir nuėmimas

- **Pav.1:** 1. Raudonas indikatorius 2. Mygtukas 3. Akumuliatoriaus kasetė

▲ PERSPĖJIMAS:

- Prieš įdėdami arba išimdami akumuliatoriaus kasetę, visada išjunkite įrankį.
- Įdėdami arba išimdami akumuliatoriaus kasetę, tvirtai laikykite įrankį ir akumuliatoriaus kasetę. Jeigu įrankį ir akumuliatoriaus kasetę laikysite netvirtai, jie gali išskysti iš jūsų rankų ir sąlygoti įrankio bei akumuliatoriaus kasetės gedimą ir vartotojo sužalojimą.

Jei norite išimti akumuliatoriaus kasetę, ištraukite ją iš įrankio, stumdami mygtuką, esantį kasetės priekyje. Jeigu norite įdėti akumuliatoriaus kasetę, sutalpindinkite liežuvėlį ant akumuliatoriaus kasetės su grioveliu korpuso ir įstumkite į skirtą vietą. Įdėkite iki galo, kol spragtelėdama užsifiksuos. Jeigu matote raudoną indikatorius viršutinėje mygtuko pusėje, ji nėra visiškai užfiksuota.

▲ PERSPĖJIMAS:

- Akumuliatoriaus kasetę visada įkiškite iki galo, kol nebematysite raudono indikatoriaus. Priešingu atveju ji gali atsitiktinai iškristi iš įrankio, sužeisti jus ar aplinkinius.
- Nekiškite akumuliatoriaus kasetės jėga. Jeigu kasetė sunkiai lenda, ji kišama netinkamai.

Akumuliatoriaus apsaugos sistema (ličio jonų akumuliatorius su žvaigždutės ženklu)

- **Pav.2:** 1. Žvaigždutės ženklas

Ličio jonų akumuliatoriuose su žvaigždutės ženklu būna įrengta apsaugos sistema. Ši sistema automatiškai atjungia įrankio maitinimą, kad akumuliatorius tarnautų ilgiau. Įrankis automatiškai išsijungs darbo metu, esant vienai iš šių įrankio ir (arba) akumuliatorius darbo sąlygai:




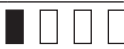




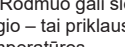
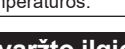

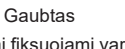
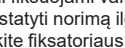
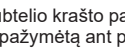
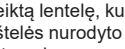
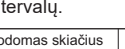


- Perkrautas:
Įrankis naudojamas taip, kad jame neįprastai padidėja elektros srovė. Tokiu atveju atleiskite įrankio gaiduką ir nutraukite darbą, dėl kurio kilo įrankio perkrova. Po to vėl paspauskite gaiduką, kad vėl įjungtumėte įrankį. Jeigu įrankis neįsijungia, reikšia perkaito akumuliatorius. Tokiu atveju palaukite, kol akumuliatorius atvės, paskui vėl apspauskite gaiduką.
- Žema akumuliatoriaus įtampa:
Likusi akumuliatoriaus energija per mažą ir įrankis negali veikti. Tokiu atveju išimkite akumuliatorių ir įkraukite jį.

Likusios akumuliatoriaus galios rodymas

Tik akumuliatoriaus kasetėms su indikatoriumi

- **Pav.3:** 1. Indikatorijų lemputės 2. Tikrinimo mygtukas

Paspauskite akumuliatoriaus kasetės tikrinimo mygtuką, kad būtų rodoma likusi akumuliatoriaus energija. Maždaug trims sekundėms užsidegs indikatorijų lemputės.

Indikatorijų lemputės			Likusi galia
Šviečia	Nešviečia	Blyksti	
			75 - 100 %
			50 - 75 %
			25 - 50 %
			0 - 25 %
			Įkraukite akumuliatorių.
			Galimai įvyko akumuliatoriaus veikimo triktis.

PASTABA: Rodmuo gali šiek tiek skirtis nuo faktinės energijos lygio – tai priklauso nuo naudojimo sąlygų ir aplinkos temperatūros.

Norimo varžto ilgio nustatymas

- **Pav.4:** 1. Svirtelė 2. Stabdiklio pagrindas 3. Plokštė 4. Gaubtas

Yra 3 teigiami fiksuojami varžto ilgio nustatymai. Norėdami nustatyti norimą ilgį, laikydami nuspaudę svirtelę, traukite fiksuojamą pagrindą, kol ant paties viršutinio gaubtelio krašto pamatysite norimo varžto ilgio skaičių (pažymėtą ant plokštėlės). Žr. toliau pateiktą lentelę, kurioje nurodytas santykis tarp ant plokštėlės nurodyto skaičiaus ir atitinkamų varžto ilgio intervalų.

Ant plokštės rodomas skaičius	Varžtų ilgis (mm)
25/28	25 - 28
32	28 - 35
40	35 - 41

Sukimo gylio reguliavimas

Iki galo nuspauskite fiksuojamą pagrindą. Laikydami jį tokioje padėtyje, sukite reguliavimo rankenėlę, kol gražto galiukas iš fiksuojamo pagrindo išsikiš maždaug 5 mm. Įsukite bandomąjį varžtą. Jeigu varžto galvutė išsikiša virš medžiagos paviršiaus, pasukite reguliavimo rankenėlę A kryptimi; jeigu varžto galvutė yra per daug įsukta į medžiagą, sukite reguliavimo rankenėlę B kryptimi.

- **Pav.5:** 1. Stabdiklio pagrindas 2. Gaubtas 3. Reguliavimo rankenėlė

Jungiklio veikimas

► **Pav.6:** 1. Gaidukas

⚠ **PERSPĖJIMAS:**

- Prieš dėdami akumulatoriaus kasetę į įrankį, visuomet patikrinkite, kad jungiklio mygtukas gerai veiktų ir atleistas grįžtų į padėtį „OFF“.

Norėdami pradėti dirbti įrankiu tiesiog paspauskite gaiduką. Norėdami sustabdyti, atleiskite gaiduką.

Atbulinės eigos jungimas

► **Pav.7:** 1. Atbulinės eigos jungiklio svirtelė

Šis įrankis turi atbulinės eigos jungiklį sukimosi kryptčiai keisti. Nuspauskite atbulinės eigos jungiklio svirtelę iš pusės A, kad sukūšį pagal laikrodžio rodyklę, arba iš B pusės, kad sukūšį prieš laikrodžio rodyklę. Kai atbulinės eigos jungiklio svirtelė yra neutralioje padėtyje, jungiklio spausti negalima.

⚠ **PERSPĖJIMAS:**

- Prieš naudodami visuomet patikrinkite sukimosi krypttį.
- Atbulinės eigos jungiklį naudokite tik įrankiui visiškai sustojus. Jei keisite sukimosi krypttį prieš įrankiui sustojant, galite pažeisti įrankį.
- Kai nenaudojate įrankio, visuomet nustatykite atbulinės eigos jungiklio svirtelę į neutralią padėtį.

SURINKIMAS

⚠ **PERSPĖJIMAS:**

- Prieš darydami ką nors įrankiui visada patikrinkite, ar įrenginys išjungtas, o akumuliatorių kasetė – nuimta.

Gražto įdėjimas arba išėmimas

Atsukite gaubtelį laikančias sparnuotąsias veržles. Ištraukite gaubtelį rodyklės krypttimi.

► **Pav.8:** 1. Gaubtas 2. Sparnuotosios veržlės

Spauskite dulkių gaubtelį link slenkamo guolio ir ištraukite gražtą. Jeigu dulkių gaubtelio link skelnako guolio pastumti nepavyksta, truputį pasukite gražtą ir pabandykite dar kartą.

Norėdami įdėti gražtą, įkiškite jį į lizdą, truputį jį pasukdami. Įdėję, visada patikrinkite, ar gražtas įdėtas tvirtai, pabandydami jį ištraukti.

► **Pav.9:** 1. Gražtas 2. Gaubtelis nuo dulkių 3. Slydimo guolis

Nustatomosios plokštės įtaisymas

► **Pav.10:** 1. Tiektuvo dėžutė 2. Varžtų juosta 3. Varžtų kreiptuvas

► **Pav.11:** 1. Sukimo padėtis

Po suktuvo kreiptuvą prakiškite nustatomąją plokštę. Po to kiškite ją pro tiektuvo dėžutę, kol pirmasis varžtas atsiders beveik sukimo padėtyje.

Nustatomosios plokštės nuėmimas

Norėdami išimti nustatomąją juostą, tiesiog traukite ją rodyklės krypttimi.

► **Pav.12**

Jeigu nuspausite atbulinės eigos mygtuką, galėsite ištraukti nustatomąją plokštę priešinga rodyklei krypttimi.

► **Pav.13:** 1. Atbulinės eigos mygtukas

Nešiojimo kablys

Kablys yra patogus, kai norite trumpam pakabinti įrankį. Jį galima pritaisyti bet kurioje įrankio pusėje.

Nuimdami nešiojimo kablį, praskėskite jį, spausdami jo apatinius galus IŠ ABIEJŲ PUSIŲ rodyklės (1) kryptimi ir pakelkite jį rodyklės (2) kryptimi.

► **Pav.14:** 1. Kablys

NAUDOJIMAS

Varžtų įsukimo operacija

► **Pav.15**

Paspauskite gaiduką ir įjunkite įrankį. Tvirtai laikykite įrankį statmenai ruošinio paviršiui. Varžtas bus automatiškai nustatytas į sukimo padėtį ir įsuktas.

⚠ **PERSPĖJIMAS:**

- Prieš sukimo darbus, visada patikrinkite, ar nenusidėvėjęs gražtas. Susidėvėjusį gražtą pakeiskite nauju, nes kitaip bus sukama nekokybiškai.
- Įrankį laikykite statmenai ruošinio paviršiui. Laikant jį kampu, galima sugadinti varžtų galvutes, gali greičiau nusidėvėti gražtas. Be to, gali būti prastai sukami varžtai.
- Iki pat sukimo pabaigos, tvirtai laikykite įrėmę įrankį į ruošinio paviršių. Jeigu to nedarysite, varžtai bus įsukami nepakankamai.
- Būkite atsargūs, kad nepradėtumėte sukti varžto toje veitoje, kur jau įsuktas itas varžtas.
- Nenaudokite įrankio be varžtų. Sugadinsite ruošinio paviršių.
- Jeigu sukant varžtus tiektuvo dėžutė neveikia sklandžiai, užpurškite ant jos judančių paviršių automobiline alyva (purškiamos alyvos). Niekada netepkite jo.

Sukimas į kampą

► **Pav.16:** 1. Siena 2. Stabdiklio pagrindas

Šiuo įrankiu galima sukti 15 mm atstumu nuo sienos, kaip parodyta paveikslėlyje.

⚠ **PERSPĖJIMAS:**

- Sukant arčiau nei 15 mm nuo sienos arba kai fiksuotiau pagrindas liečia sieną, varžtų galvutės gali būti sugadintos, gali susidėvėti ir sukimo antgalis. Be to, varžtai gali būti įsukami prastai, gali blogai veikti įrankis.

TECHNINĖ PRIEŽIŪRA

PERSPĖJIMAS:

- Visuomet įsitikinkite, kad įrankis yra išjungtas ir akumulatoriaus kasetė yra nuimta prieš atliekant apžiūrą ir priežiūrą.
- Niekada nenaudokite gazolino, benzino, tirpiklio, spirito arba panašių medžiagų. Gali atsirasti išblukimų, deformacijų arba įtrūkimų.

PASTABA:

- Kai kurie sąraše esantys priedai gali būti pateikti įrankio pakuotėje kaip standartiniai priedai. Jie įvairiose šalyse gali skirtis.

Anglinių šepetėlių keitimas

► Pav.17: 1. Ribos žymė

Pakeiskite juos, kai nusidėvi iki ribos žymės. Laikykite anglinius šepetėlius švarius ir laisvai įslenkančius į laikiklius. Abu angliniai šepetėliai turėtų būti keičiami tuo pačiu metu. Naudokite tik identiškus anglinius šepetėlius.

Atsukite gaubtelį laikančias sparnuotąsias veržles. Ištraukite gaubtelį rodyklės kryptimi.

► Pav.18: 1. Gaubtas 2. Sparnuotosios veržlės

Atsuktuvu atsukite du varžtus, po to nuimkite priekinį dangtelį.

► Pav.19: 1. Priekinis dangtelis 2. Varžtai

Pakelkite spyruokle pritvirtintą rankenėlės dalį, po to siauru varžliarakčiu su grioveliais arba panašiu įrankiu įkiškite ją į nematomą korpuso dalį.

► Pav.20: 1. Grandinė 2. Petys 3. Nematoma dalis

Norėdami nuimti anglinių šepetėlių gaubtelius, naudokite plokščiareples. Išimkite sudėvėtus anglinius šepetėlius, įdėkite naujus ir atgal įdėkite šepetėlių gaubtelius.

► Pav.21: 1. Anglinio šepetėlio dangtelis

Patikrinkite, ar anglinių šepetėlių gaubteliai tvirtais įtaisyti šepetėlių laikiklių skylutėse.

► Pav.22: 1. Skylė 2. Anglinio šepetėlio dangtelis

Atgal įtaisykite priekinį dangtelį ir tvirtai užveržkite abu varžtus.

Kad gaminys būtų SAUGUS ir PATIKIMAS, jį taisyti, apžiūrėti ar vykdyti bet kokią kitą priežiūrą ar derinimą turi įgaliotasis kompanijos „Makita“ techninės priežiūros centras; reikia naudoti tik kompanijos „Makita“ pagamintas atsargines dalis.

PASIRENKAMI PRIEDAI

PERSPĖJIMAS:

- Su šiaime vadove aprašytu įrenginiu „Makita“ rekomenduojama naudoti tik nurodytus priedus ir papildomus įtaisus. Jeigu bus naudojami kito kokie priedai ar papildomi įtaisai, gali būti sužaloti žmonės. Priedus arba papildomus įtaisus naudokite tik pagal paskirtį.

Jeigu norite daugiau sužinoti apie tuos priedus, kreipkitės į artimiausią „Makita“ techninės priežiūros centrą.

- Gipsokartono nustatomoji plokštė
- Kryžminis atsuktuvas
- Įvairių tipų Makita originalūs akumulatoriai ir krovikliai
- Plastikinis dėklas

TEHNILISED ANDMED

Mudel	DFR450X
Kruviliint	4 mm x 25 mm - 41 mm
Pöörlemissagedus koormuseta (min ⁻¹)	4 000
Kogupikkus	369 mm
Netomass	1,9 - 2,9 kg
Nimipinge	Aialisvool 18 V

- Meie pideva uuringu- ja arendusprogrammi tõttu võidakse tehnilisi andmeid muuta ilma sellest ette teatamata.
- Tehnilised andmed võivad riigiti erineda.
- Kaal võib erineda olenevalt lisaseadistest, kaasa arvatud akukassetist. Kergeim ja raskeim kombinatsioon EPTA-protseduuri 01/2014 kohaselt on toodud tabelis.

Sobiv akukasset ja laadija

Akukasset	BL1815N / BL1820 / BL1820B / BL1830 / BL1830B / BL1840 / BL1840B / BL1850 / BL1850B / BL1860B
Laadija	DC18RC / DC18RD / DC18RE / DC18SD / DC18SE / DC18SF / DC18SH

- Mõned eespool loetletud akukassetid ja -laadijad ei pruugi olla teie riigis saadaval.

⚠HOIATUS: Kasutage ainult ülalpool loetletud akukasse ja laadijaid. Muude akukassetide ja laadijate kasutamine võib tekitada vigastusi ja/või tulekahju.

Ettenähtud kasutamine

Tööriist on ette nähtud kruvide paigaldamiseks puidust, metallist ja plastikust materjalidesse.

Müra

Tüüpiline A-korrigeeritud müratase vastavalt EN62841:

Müraarõhutase (L_{PA}): 78 dB (A)

Määramatus (K): 3 dB (A)

Müratase töötamisel võib ületada 80 dB (A).

MÄRKUS: Deklareeritud müra väärtust (väärtuseid) on mõõdetud kooskõlas standardse katsemeetodiga ning seda võib kasutada ühe seadme võrdlemiseks teisega.

MÄRKUS: Deklareeritud müra väärtust (väärtuseid) võib kasutada ka mürataseme esmaseks hindamiseks.

⚠HOIATUS: Kasutage kõrvakaitsmeid.

⚠HOIATUS: Müratase võib elektritööriista tegelikkuses kasutamise ajal erineda deklareeritud väärtus(t)est olenevalt tööriista kasutusviisidest ja eriti töödeldavast toorikust.

⚠HOIATUS: Rakendage operaatori kaitsmiseks kindlasti piisavaid ohutusabinõusid, mis põhinevad hinnangulisel müratasemel tegelikus tööolukorras (võttes arvesse tööperioodi kõiki osasid, näiteks korrad, kui seade lülitatakse välja ja seade töötab tühikäigul, lisaks tööajale).

Vibratsioon

Vibratsiooni koguväärtus (kolmeteljeliste vektorite summa) määratud vastavalt EN62841:

Töörežiim: kruvikeeramine ilma löökmehhanismi kasutamata.

Vibratsioonitase (a_n): 2,5 m/s² või vähem

Määramatus (K): 1,5 m/s²

MÄRKUS: Deklareeritud vibratsiooni koguväärtust (-väärtuseid) on mõõdetud kooskõlas standardse katsemeetodiga ning seda võib kasutada ühe seadme võrdlemiseks teisega.

MÄRKUS: Deklareeritud vibratsiooni koguväärtust (-väärtuseid) võib kasutada ka mürataseme esmaseks hindamiseks.

⚠HOIATUS: Vibratsioonitase võib elektritööriista tegelikkuses kasutamise ajal erineda deklareeritud väärtus(t)est olenevalt tööriista kasutusviisidest ja eriti töödeldavast toorikust.

⚠HOIATUS: Rakendage operaatori kaitsmiseks kindlasti piisavaid ohutusabinõusid, mis põhinevad hinnangulisel müratasemel tegelikus tööolukorras (võttes arvesse tööperioodi kõiki osasid, näiteks korrad, kui seade lülitatakse välja ja seade töötab tühikäigul, lisaks tööajale).

EÜ vastavusdeklaratsioon

Ainult Euroopa riikide puhul

EÜ vastavusdeklaratsioon sisaldub käesoleva juhendi Lisas A.

Üldised elektritööriistade ohutushoiatused

⚠️HOIATUS: Lugege läbi kõik selle elektritööriistaga kaasas olevad ohutushoiatused, juhised, joonised ja tehnilised andmed. Järgnevate juhiste eiramine võib põhjustada elektrilöögi, süttimise ja/või raske kehavigastuse.

Hoidke edaspidisteks viideteks alles kõik hoiatused ja juhtnöörid.

Hoiatuses kasutatud termini „elektritööriist“ all peetakse silmas elektriga töötavaid (juhtmega) elektritööriistu või akuga töötavaid (juhtmata) elektritööriistu.

Juhtmata kruvikeeraja ohutushoiatused

1. Hoidke elektritööriista isoleeritud haardepindadest, kui töötate kohas, kus kinnitusvahend võib sattuda kokkupuutesse varjatud elektrijuhtmetega. Pingestatud elektrijuhtmetega kokku puutunud kinnitusvahendid võivad põhjustada elektritööriista metallosade voolu alla sattumise, mille tagajärjel võib tööriista kasutaja saada elektrilöögi.
2. Veenduge alati, et omaksite kindlat toetuspinda. Kui töötate kõrguses, siis jälgige, et teist allpool ei viibiks inimesi.
3. Hoidke tööriista kindlalt käes.
4. Hoidke käed pöörlevatest osadest eemal.
5. Ärge puudutage otsakut ega töödeldavat detaili vahetult pärast tööriista kasutamist; need võivad olla väga kuumad ja põhjustada põletushaavu.
6. Töödeldav detail kinnitage alati kas kruustangide või sarnaste abivahenditega.

HOIDKE JUHEND ALLES.

⚠️HOIATUS: ÄRGE UNUSTAGE järgida toote ohutusnõudeid mugavuse või toote (korduskasutamiseiga saavutatud) hea tundmise tõttu.

VALE KASUTUS või kasutusjuhendi ohutuseeskirjade eiramine võib põhjustada tervisekahjustusi.

Akukassetiga seotud olulised ohutusjuhised

1. Enne akukasseti kasutamist lugege (1) akulaadidjal, (2) akul ja (3) seadmel olevad juhtnöörid ja hoiatused läbi.
2. Ärge võtke akukasseti lahti.
3. Kui tööaeg järsult lüheneb, siis lõpetage kohe kasutamine. Edasise kasutamise tulemuseks võib olla ülekuumenemisoht, võimalikud põletused või isegi plahvatus.
4. Kui elektrolüüti satub silma, siis loputage silma puhta veega ja pöörduge koheselt arsti poole. Selline õnnetus võib põhjustada pimedaksjäämist.

5. Ärge tekitage akukassetis lühist:
 - (1) Ärge puutuge klemme elektrijuhtidega.
 - (2) Ärge hoidke akukasseti tööriistakastis koos metallsemetega, nagu naelad, mündid jne.
 - (3) Ärge tehke akukasseti märjaks ega jätke seda vihma kätte.
5. Aku lühis võib põhjustada tugevat elektrivoolu, ülekuumenemist, põletusi ning ka seadet tõsiselt kahjustada.
6. Ärge hoidke tööriista ja akukasseti kohtades, kus temperatuur võib tõusta üle 50 °C.
7. Ärge põletage akukasseti isegi siis, kui see on saanud tõsiselt vigastada või on täiesti kulu- nud. Akukassetit võib tules plahvatada.
8. Olge ettevaatlik, ärge laske akul maha kukkuda ja vältige lööke.

9. Ärge kasutage kahjustatud akut.
10. Sisalduvatele liitium-ioonakudele võivad kohalduda ohtlike kaupade õigusaktide nõuded. Kaubanduslikul transportimisel, näiteks kolmandate poolte või transpordiettevõtete poolt, tuleb järgida pakendil ja siltidel toodud erinõudeid. Transportimiseks ettevalmistamisel on vajalik pida- da nõu ohtliku materjali ekspordiga. Samuti tuleb järgida võimalike riiklike regulatsioonide üksikasjalikumaid nõudeid. Katke teibiga või varjake avatud kontaktid ja pakendage aku selliselt, et see ei saaks pakendis liukuda.
11. Kasutuskõlbmatuks muutunud akukasseti kõrvaldamiseks eemaldage see tööriistast ja viige selleks ette nähtud kohta. Järgige kasutuskõlbmatuks muutunud aku kõrvaldamisel kohalikke eeskirju.
12. Kasutage akusid ainult Makita heaks kiidetud toodetega. Akude paigaldamine selleks mitte ettenähtud toodetele võib põhjustada süttimist, ülemäärast kuumust, plahvatamist või elektrolüüdi lekkimist.
13. Kui tööriista ei kasutata pika ajaperioodi jooksul, tuleb aku tööriistast eemaldada.

HOIDKE JUHEND ALLES.

⚠️ETTEVAATUST: Kasutage ainult Makita originaalakusid. Mitte Makita originaalakude või muudetud akude kasutamine võib põhjustada akude süttimise, kehavigastuse ja kahjustuse. Samuti muudab see kehtetuks Makita tööriista ja laadija Makita garantii.

Vihjeld aku maksimaalse kasutaja tagamise kohta

1. Laadige akukasseti enne selle täielikku tühjenemist. Kui märkate, et tööriist töötab väiksema võimsusega, peatage töö ja laadige akukasseti.
2. Ärge laadige täielikult laetud akukasseti. Ülelaadimine lühendab akude kasutusiga.
3. Laadige akukasseti toatemperatuuril 10 °C - 40 °C. Enne laadimist laske kuumenenud akukassetil maha jahtuda.
4. Kui te ei kasuta akukasseti kauem kui kuus kuud, laadige see.

FUNKSIONAALNE KIRJELDUS

⚠️ ETTEVAATUST:

- Kandke alati hoolt selle eest, et tööriist oleks enne reguleerimist ja kontrollimist välja lülitatud ja akukassett eemaldatud.

Akukasseti paigaldamine või eemaldamine

► **Joon.1:** 1. Punane näidik 2. Nupp 3. Akukassett

⚠️ ETTEVAATUST:

- Lülitage tööriist alati enne akukasseti paigaldamist või eemaldamist välja.
- Hoidke tööriista ja akukassetti kindlalt käes, kui paigaldate või eemaldate akukassetti.** Kui eirata nõuet tööriista ja akukassetti hoidmise kohta, võivad need käest libiseda ja maha kukkudes puruneda ja põhjustada kehavigastusi.

Akukasseti eemaldamiseks libistage see tööriista küljest lahti, vajutades kasseti esiküljel paiknevat nuppu alla. Akukasseti paigaldamiseks joondage akukasseti keel korpuse soonega ja libistage kassett oma kohale. Paigaldage kassett alati nii kaugele, et see lukustuks klõpsatusega oma kohale. Kui näete nupu ülaosas punast osa, pole kassett täielikult lukustunud.

⚠️ ETTEVAATUST:

- Paigaldage akukassett alati täies ulatuses nii, et punast osa ei jääks näha. Vastasel korral võib kassett tööriistast välja kukkuda ning vigastada Teid või läheduses viibivaid isikuid.
- Ärge rakendage jõudu akukasseti paigaldamisel. Kui kassett ei lähe kergesti sisse, pole see õigesti paigaldatud.

Aku kaitsesüsteem (tähe märgisega liitumioonaku)

► **Joon.2:** 1. Tähe märgis

Tähe märgisega liitumioonakud on varustatud kaitsesüsteemiga. Süsteem lülitab tööriista toitevoolu automaatselt välja, et pikendada aku eluiga. Tööriist seiskub käitamise ajal automaatselt, kui tööriista ja/või aku kohta kehtivad järgmised tingimused.

- Ülekoormus. Tööriista kasutatakse viisil, mis põhjustab toitevoolu tugevuse tõusu lubatust kõrgemale. Sellisel juhul vabastage tööriista päästiklülitit ja lõpetage töö, mis põhjustas tööriista ülekoormuse. Seejärel tõmmake taaskäivitamiseks uuesti päästiklülitit. Kui tööriist ei käivitu, on aku üle kuumenenud. Sellisel juhul laske akul maha jahtuda, enne kui päästiklülitit uuesti tõmbate.
- Madal akupinge. Aku jääkmahtuvus on liiga väike ja tööriist ei hakka tööle. Sellisel juhul eemaldage aku ja laadige seda.

Aku jääkmahtuvuse näit

Ainult näidikuga akukassettidele

► **Joon.3:** 1. Märgulambid 2. Kontrollimise nupp

Akukasseti järelejäänud mahtuvuse kontrollimiseks vajutage kontrollimise nuppu. Märgulambid süttivad mõneks sekundiks.

Märgulambid			Jääkmahtuvus
Pöleb	Ei põle	Vilgub	
■ ■ ■ ■			75 - 100%
■ ■ ■ □			50 - 75%
■ ■ □ □			25 - 50%
■ □ □ □			0 - 25%
▬ □ □ □			Laadige akut.
■ ■ □ □		↑ ↓	Akul võib olla tõrge.
□ □ ■ ■			

MÄRKUS: Näidatud mahtuvus võib veidi erineda tegeelikust mahtuvusest olenevalt kasutustingimustest ja ümbritseva keskkonna temperatuurist.

Soovitud kruvipikkuse säte

► **Joon.4:** 1. Hoob 2. Stopperi põhi 3. Plaat 4. Korpus

Kruvipikkuse sättel on 3 lukustatavat asendit. Soovitud sätte saavutamiseks tõmmake stopper välja, vajutades samal ajal hooba, kuni näete korpuse ülemisse äärde ilmumas soovitud kruvipikkuse numbrit (mis on plaadil toodud).

Alltoodud tabelist leiate plaadil olevale numbrile vastavad kruvipikkuse ulatused.

Plaadile märgitud number	Kruvipikkuste vahemik (mm)
25/28	25 - 28
32	28 - 35
40	35 - 41

Keeramissügavuse reguleerimine

Vajutage stopper maksimaalsele sügavusele. Hoides seda kohal, keerake reguleerimisnuppu, kuni otsak tuleb ligikaudu 5 mm ulatuses stopperist välja. Kruvige proovikruvi. Kui kruvipea ulatub üle tööpinna, siis keerake reguleerimisnuppu A suunas; peitpeaga kruvi korral keerake reguleerimisnuppu B suunas.

► **Joon.5:** 1. Stopperi põhi 2. Korpus 3. Reguleerimisnupp

Lüliti funktsioneerimine

► **Joon.6:** 1. Lüliti päästik

⚠ETTEVAATUST:

- Kontrollige alati enne akukasseti tööriista külge paigaldamist, kas lüliti päästik funktsioneerib nõuetekohaselt ja liigub lahtilaskmisel tagasi väljalülitatud asendisse.

Tööriista tööelülitamiseks on vaja lihtsalt lüliti päästikut tõmmata. Seiskamiseks vabastage lüliti päästik.

Suunamuutmise lüliti töötamisviis

► **Joon.7:** 1. Suunamuutmislüliti hoob

Sellel tööriistal on suunamuutmise lüliti, millega saab muuta pöörlemise suunda. Suruge suunamuutmislüliti hoob A-küljel alla ning tööriist pöörleb päripäeva või vastupäeva pöörlemiseks suruge see alla B-küljel. Kui suunamuutmislüliti hoob on neutraalses asendis, siis lüliti päästikut tõmmata ei saa.

⚠ETTEVAATUST:

- Enne töö alustamist kontrollige alati pöörlemise suunda.
- Kasutage pöörlemissuuna lülitit alles pärast tööriista täielikku seiskumist. Enne tööriista seiskumist suuna muutmine võib tööriista kahjustada.
- Kui tööriista ei kasutata, peab suunamuutmislüliti hoob olema alati neutraalses asendis.

KOKKUPANEK

⚠ETTEVAATUST:

- Kandke alati hoolt selle eest, et tööriist oleks enne igasuguseid hooldustöid välja lülitatud ja akukassett eemaldatud.

Otsaku paigaldamine või eemaldamine

Lõdvendage korpust kinnihoidvad kruvipressid. Tõmmake korpus noole suunas välja.

► **Joon.8:** 1. Korpus 2. Kruvipressid

Suruge tolmukatet liugelaagri suunas ja tõmmake otsak välja. Kui tolmukatet ei saa liugelaagrini liigutada, siis keerake otsakut kergelt ja proovige uuesti.

Otsaku paigaldamiseks sisestage see soklisse, seda samal ajal kergelt keerates. Pärast paigaldamist veenduge alati, et otsak on kindlalt paigas, proovides seda välja tõmmata.

► **Joon.9:** 1. Otsak 2. Tolmukate 3. Liugelaager

Kruvilindi paigaldamine

► **Joon.10:** 1. Sööturikarp 2. Kruvilind 3. Kruvijuhik

► **Joon.11:** 1. Puurdumisasend

Sisestage kruvilind läbi kruvijuhiku. Seejärel sisestage see läbi sööturikarbi, kuni esimene kruvi jõuab keeramisasendi kõrvale.

Kruvilindi eemaldamine

Kruvilindi eemaldamiseks tõmmake see lihtsalt noole suunas välja.

► **Joon.12**

Kui vajutate vastassuunanuppu, võite tõmmata kruvilindi välja noole suunale vastupidises suunas.

► **Joon.13:** 1. Vastassuunanupp

Kandekonks

Kandekonksu abil saate tööriista ajutiselt kuhugi riputada. Selle saab paigaldada tööriista ükskõik kummale küljele.

Kandekonksu eemaldamisel laiendage seda, surudes selle parempoolseid otsi MÖLEMAL KÜLJEL noole (1) suunas ja tõstke seda noole (2) suunas.

► **Joon.14:** 1. Konks

TÖÖRIISTA KASUTAMINE

Kruvide/mutrite keeramine

► **Joon.15**

Lülitage tööriist sisse, tõmmates lüliti päästikut. Hoidke tööriista töödeldava pinnaga risti ja suruge seda kindlalt. Kruvi viiakse automaatselt puurdumisasendisse ja keeratakse kinni.

⚠ETTEVAATUST:

- Enne keeramist kontrollige alati otsaku kulumisaset. Asendage kulunud otsak, et vältida ebapiisavat kinnitamist.
- Hoidke tööriista alati töödeldava pinnaga risti. Nurga all hoidmisel võib kruvipea viga saada ning otsak kuluda. Samuti võib see põhjustada ebapiisavat kinnitamist.
- Hoidke tööriista alati kindlalt vastu töödeldavat pinda, kuni keeramine on lõpule viidud. Vastasel korral võivad kruvid ebapiisavalt kinnituda.
- Olge ettevaatlik, et mitte keerata kruvi vastu teist, juba kinnitatud kruvi.
- Ärge kasutage tööriista ilma kruvideta. See kahjustab töödeldavat pinda.
- Kui sööturikarp ei liigu kruvide keeramisel sujuvalt, siis pihustage selle libisevatele pindadele autovaha (pihustatavat tüüpi vaha). Ärge seda kunagi õlitage.

Nurkadesse keeramine

► **Joon.16:** 1. Sein 2. Stopperi põhi

Seda tööriista võib kasutada 15 mm seinast eemal, nagu joonisel näidatud.

⚠ETTEVAATUST:

- Keerates seinale lähemal kui 15 mm või nii, et stopper on seinaga kontaktis, võivad kruvipead kahjustuda ja otsak kuluda. Samuti võib see põhjustada ebapiisavat kinnitamist ja tööriista rikkeid.

HOOLDUS

⚠ETTEVAATUST:

- Kandke alati enne kontroll- või hooldustoimingute teostamist hoolt selle eest, et tööriist oleks välja lülitatud ja akukassett korpuse küljest eemaldatud.
- Ärge kunagi kasutage bensiini, vedeldit, alkoholi ega midagi muud sarnast. Selle tulemuseks võib olla luitumine, deformatsioon või pragunemine.

MÄRKUS:

- Mõned nimekirjas loetletud tarvikud võivad kuuluda standardvarustusse ning need on lisatud tööriista pakendisse. Need võivad riikide lõikes erineda.

Süsiharjade asendamine

► Joon.17: 1. Piirmärgis

Vahetage välja, kui need on kulunud piirmärgini. Hoidke süsiharjad puhtad, nii on neid lihtne hoidikutesse libistada. Mõlemad süsiharjad tuleb asendada korraga.

Kasutage üksnes identseid süsiharju.

Lõdvendage korpust kinnihoidvad kruvipressid.

Tõmmake korpus noole suunas välja.

► Joon.18: 1. Korpus 2. Kruvipressid

Kasutage kahe kruvi eemaldamiseks kruvikeerajat, seejärel eemaldage esikaas.

► Joon.19: 1. Esikaas 2. Kruvid

Tõstke vedru õlg ja asetage see siis peenikese lapikkruvikeeraja vms abil korpusel olevasse süvendisse.

► Joon.20: 1. Vedru 2. Latt 3. Süvistatud osa

Kasutage süsiharjakaante eemaldamiseks tange. Võtke ära kulunud süsiharjad välja, paigaldage uued ning pange süsiharjakaaned vastupidises järjekorras tagasi kohale.

► Joon.21: 1. Süsiharjakaas

Veenduge, et süsiharjakaaned on asetunud kindlalt harjahoidikutes olevatesse avadesse.

► Joon.22: 1. Auk 2. Süsiharjakaas

Pange esikaas tagasi ja keerake kaks kruvi korralikult kinni.

Toote OHUTUSE ja TÖÖKINDLUSE tagamiseks tuleb vajalikud remonttööd, muud hooldus- ja reguleerimistööd lasta teha Makita volitatud teeninduskeskustes.

Alati tuleb kasutada Makita varuosi.

VALIKULISED TARVIKUD

⚠ETTEVAATUST:

- Neid tarvikuid ja lisaseadiseid on soovitatav kasutada koos Makita tööriistaga, mille kasutamist selles kasutusjuhendis kirjeldatakse. Muude tarvikute ja lisaseadiste kasutamisega kaasneb vigastada saamise oht. Kasutage tarvikuid ja lisaseadiseid ainult otstarvetel, milleks need on ette nähtud.

Saate vajadusel kohalikust Makita teeninduskeskusest lisateavet nende tarvikute kohta.

- Kruvilint
- Phillips otsak
- Mitut tüüpi Makita originaalakud ja laadijad
- Plastist kandekohver

ТЕХНИЧЕСКИЕ ХАРАКТЕРИСТИКИ

Модель	DFR450X
Лента с шурупами	4 мм x 25 мм - 41 мм
Число оборотов без нагрузки (мин ⁻¹)	4 000
Общая длина	369 мм
Вес нетто	1,9 - 2,9 кг
Номинальное напряжение	18 В пост. Тока

- Благодаря нашей постоянно действующей программе исследований и разработок указанные здесь технические характеристики могут быть изменены без предварительного уведомления.
- Технические характеристики могут различаться в зависимости от страны.
- Масса может отличаться в зависимости от дополнительного оборудования. Обратите внимание, что блок аккумулятора также считается дополнительным оборудованием. В таблице представлены комбинации с наибольшим и наименьшим весом в соответствии с процедурой EPTA 01/2014.

Подходящий блок аккумулятора и зарядное устройство

Блок аккумулятора	BL1815N / BL1820 / BL1820B / BL1830 / BL1830B / BL1840 / BL1840B / BL1850 / BL1850B / BL1860B
Зарядное устройство	DC18RC / DC18RD / DC18RE / DC18SD / DC18SE / DC18SF / DC18SH

- В зависимости от региона проживания некоторые блоки аккумуляторов и зарядные устройства, перечисленные выше, могут быть недоступны.

⚠ОСТОРОЖНО: Используйте только перечисленные выше блоки аккумуляторов и зарядные устройства. Использование других блоков аккумуляторов и зарядных устройств может привести к травме и/или пожару.

Назначение

Инструмент предназначен для закручивания шурупов в древесину, металл и пластмассу.

Шум

Типичный уровень взвешенного звукового давления (A), измеренный в соответствии с EN62841:

Уровень звукового давления (L_{ра}): 78 дБ (A)

Погрешность (K): 3 дБ (A)

Уровень шума при выполнении работ может превышать 80 дБ (A).

ПРИМЕЧАНИЕ: Заявленное значение распространения шума измерено в соответствии со стандартной методикой испытаний и может быть использовано для сравнения инструментов.

ПРИМЕЧАНИЕ: Заявленное значение распространения шума можно также использовать для предварительных оценок воздействия.

⚠ОСТОРОЖНО: Используйте средства защиты слуха.

⚠ОСТОРОЖНО: Распространение шума во время фактического использования электроинструмента может отличаться от заявленного значения в зависимости от способа применения инструмента и в особенности от типа обрабатываемой детали.

⚠ОСТОРОЖНО: Обязательно определите меры безопасности для защиты оператора, основанные на оценке воздействия в реальных условиях использования (с учетом всех этапов рабочего цикла, таких как выключение инструмента, работа без нагрузки и включение).

Вибрация

Суммарное значение вибрации (сумма векторов по трем осям) определяется по следующим параметрам EN62841:

Рабочий режим: безударный шуруповерт
Распространение вибрации (a_h): 2,5 м/с² или менее
Погрешность (K): 1,5 м/с²

ПРИМЕЧАНИЕ: Заявленное общее значение распространения вибрации измерено в соответствии со стандартной методикой испытаний и может быть использовано для сравнения инструментов.

ПРИМЕЧАНИЕ: Заявленное общее значение распространения вибрации можно также использовать для предварительных оценок воздействия.

⚠ОСТОРОЖНО: Распространение вибрации во время фактического использования электроинструмента может отличаться от заявленного значения в зависимости от способа применения инструмента и в особенности от типа обрабатываемой детали.

⚠ОСТОРОЖНО: Обязательно определите меры безопасности для защиты оператора, основанные на оценке воздействия в реальных условиях использования (с учетом всех этапов рабочего цикла, таких как выключение инструмента, работа без нагрузки и включение).

Декларация о соответствии ЕС

Только для европейских стран

Декларация о соответствии ЕС включена в руководство по эксплуатации (Приложение А).

Общие рекомендации по технике безопасности для электроинструментов

⚠ОСТОРОЖНО: Ознакомьтесь со всеми предостереженными инструкциями по технике безопасности, указаниями, иллюстрациями и техническими характеристиками, прилагаемыми к данному электроинструменту. Несоблюдение каких-либо инструкций, указанных ниже, может привести к поражению электрическим током, пожару и/или серьезной травме.

Сохраните брошюру с инструкциями и рекомендациями для дальнейшего использования.

Термин "электроинструмент" в предупреждениях относится ко всему инструменту, работающему от сети (с проводом) или на аккумуляторах (без провода).

Правила техники безопасности при эксплуатации аккумуляторного шуруповерта

1. Если при выполнении работ существует риск контакта инструмента со скрытой электропроводкой, держите электроинструмент за специально предназначенные изолированные поверхности. Контакт с проводом под напряжением приведет к тому, что металлические детали инструмента также будут под напряжением, что приведет к поражению оператора электрическим током.
2. При выполнении работ всегда занимайте устойчивое положение. При использовании инструмента на высоте убедитесь в отсутствии людей внизу.
3. Крепко держите инструмент.
4. Руки должны находиться на расстоянии от вращающихся деталей.

5. Сразу после окончания работ не прикасайтесь к головке или детали. Они могут быть очень горячими, что приведет к ожогам кожи.
6. Всегда закрепляйте обрабатываемые детали в тисках или аналогичном зажимном устройстве.

СОХРАНИТЕ ДАННЫЕ ИНСТРУКЦИИ.

⚠ОСТОРОЖНО: НЕ ДОПУСКАЙТЕ, чтобы удобство или опыт эксплуатации данного устройства (полученный от многократного использования) доминировали над строгим соблюдением правил техники безопасности при обращении с этим устройством.

НЕПРАВИЛЬНОЕ ИСПОЛЬЗОВАНИЕ инструмента или несоблюдение правил техники безопасности, указанных в данном руководстве, может привести к тяжелой травме.

Важные правила техники безопасности для работы с аккумуляторным блоком

1. Перед использованием аккумуляторного блока прочитайте все инструкции и предупреждающие надписи на (1) зарядном устройстве, (2) аккумуляторном блоке и (3) инструменте, работающем от аккумуляторного блока.
2. Не разбирайте аккумуляторный блок.
3. Если время работы аккумуляторного блока значительно сократилось, немедленно прекратите работу. В противном случае, может возникнуть перегрев блока, что приведет к ожогам и даже к взрыву.
4. В случае попадания электролита в глаза промойте их обильным количеством чистой воды и немедленно обратитесь к врачу. Это может привести к потере зрения.
5. Не замыкайте контакты аккумуляторного блока между собой:
 - (1) Не прикасайтесь к контактам какими-либо токопроводящими предметами.
 - (2) Не храните аккумуляторный блок в контейнере вместе с другими металлическими предметами, такими как гвозди, монеты и т. п.
 - (3) Не допускайте попадания на аккумуляторный блок воды или дождя.Замыкание контактов аккумуляторного блока между собой может привести к возникновению большого тока, перегреву, возможным ожогам и даже поломке блока.
6. Не храните инструмент и аккумуляторный блок в местах, где температура может достигать или превышать 50 °C (122 °F).
7. Не бросайте аккумуляторный блок в огонь, даже если он сильно поврежден или полностью вышел из строя. Аккумуляторный блок может взорваться под действием огня.

8. Не роняйте и не ударяйте аккумуляторный блок.
9. Не используйте поврежденный аккумуляторный блок.
10. Входящие в комплект литий-ионные аккумуляторы должны эксплуатироваться в соответствии с требованиями законодательства об опасных товарах.
При коммерческой транспортировке, например, третьей стороной или экспедитором, необходимо нанести на упаковку специальные предупреждения и маркировку.
В процессе подготовки устройства к отправке обязательно проконсультируйтесь со специалистом по опасным материалам. Также соблюдайте местные требования и нормы. Они могут быть строже.
Закройте или закрепите разомкнутые контакты и упакуйте аккумулятор так, чтобы он не перемещался по упаковке.
11. Для утилизации блока аккумулятора извлеките его из инструмента и утилизируйте безопасным способом. Выполняйте требования местного законодательства по утилизации аккумуляторного блока.
12. Используйте аккумуляторы только с продукцией, указанной Makita. Установка аккумуляторов на продукцию, не соответствующую требованиям, может привести к пожару, перегреву, взрыву или утечке электролита.
13. Если инструментом не будут пользоваться в течение длительного периода времени, извлеките аккумулятор из инструмента.

СОХРАНИТЕ ДАННЫЕ ИНСТРУКЦИИ.

ВНИМАНИЕ: Используйте только фирменные аккумуляторные батареи Makita. Использование аккумуляторных батарей, не произведенных Makita, или батарей, которые были подвергнуты модификациям, может привести к взрыву аккумулятора, пожару, травмам и повреждению имущества. Это также автоматически аннулирует гарантию Makita на инструмент и зарядное устройство Makita.

Советы по обеспечению максимального срока службы аккумулятора

1. Заряжайте блок аккумуляторов перед его полной разрядкой. Обязательно прекратите работу с инструментом и зарядите блок аккумуляторов, если вы заметили снижение мощности инструмента.
2. Никогда не подзаряжайте полностью заряженный блок аккумуляторов. Перезарядка сокращает срок службы аккумулятора.
3. Заряжайте блок аккумуляторов при комнатной температуре в 10 - 40 °C (50 - 104 °F). Перед зарядкой горячего блока аккумуляторов дайте ему остыть.
4. Зарядите ионно-литиевый аккумуляторный блок, если вы не будете пользоваться инструментом длительное время (более шести месяцев).

ОПИСАНИЕ ФУНКЦИОНИРОВАНИЯ

ВНИМАНИЕ:

- Перед регулировкой или проверкой функционирования всегда отключайте инструмент и вынимайте блок аккумуляторов.

Установка или снятие блока аккумуляторов

- **Рис.1:** 1. Красный индикатор 2. Кнопка 3. Блок аккумулятора

ВНИМАНИЕ:

- Обязательно выключайте инструмент перед установкой и извлечением аккумуляторного блока.
- При установке или снятии аккумуляторного блока надежно удерживайте инструмент и аккумуляторный блок. Иначе инструмент или аккумуляторный блок могут выскользнуть из рук, что может привести к травмам или повреждению инструмента и аккумуляторного блока.

Для снятия аккумуляторного блока нажмите кнопку на лицевой стороне и извлеките блок.
Для установки аккумуляторного блока совместите выступ блока с пазом в корпусе и задвиньте его на место. Устанавливайте блок до упора так, чтобы он зафиксировался на месте с небольшим щелчком. Если вы можете видеть красный индикатор на верхней части клавиши, аккумуляторный блок не полностью установлен на месте.

ВНИМАНИЕ:

- Обязательно устанавливайте аккумуляторный блок до конца, чтобы красный индикатор не был виден. В противном случае аккумуляторный блок может выпасть из инструмента и нанести травму вам или другим людям.
- Не прилагайте чрезмерных усилий при установке аккумуляторного блока. Если блок не двигается свободно, значит он вставлен неправильно.

Система защиты аккумуляторной батареи (ионно-литиевый аккумуляторный блок со звездочкой)

- **Рис.2:** 1. Звездочка

В ионно-литиевых аккумуляторных блоках со звездочкой предусмотрена система защиты. Она автоматически отключает питание для продления срока службы аккумуляторного блока. Инструмент автоматически остановится во время работы при возникновении указанных ниже ситуаций:

- Перегрузка:
Из-за способа эксплуатации инструмент потребляет очень большое количество тока. В этом случае отпустите курковый переключатель на инструменте и прекратите использование, повлекшее перегрузку инструмента. Затем снова нажмите на курковый выключатель для перезапуска.

Если инструмент не включается, значит, перегрелся аккумуляторный блок. В этом случае дайте ему остыть перед повторным нажатием на курковый выключатель.

- Низкое напряжение аккумуляторной батареи: Уровень оставшегося заряда аккумулятора слишком низкий и инструмент не работает. В этом случае снимите и зарядите аккумуляторный блок.

Индикация оставшегося заряда аккумулятора

Только для блоков аккумулятора с индикатором

► **Рис.3:** 1. Индикаторы 2. Кнопка проверки

Нажмите кнопку проверки на аккумуляторном блоке для проверки заряда. Индикаторы загорятся на несколько секунд.

Индикаторы			Уровень заряда
Горит	Выкл.	Мигает	
■	□	◐	от 75 до 100%
■	■	■	
■	■	□	от 50 до 75%
■	□	□	от 25 до 50%
■	□	□	от 0 до 25%
◐	□	□	Зарядите аккумуляторную батарею.
■	■	□	Возможно, аккумуляторная батарея неисправна.
□	□	■	

ПРИМЕЧАНИЕ: В зависимости от условий эксплуатации и температуры окружающего воздуха индикация может незначительно отличаться от фактического значения.

Настройка для болта необходимой длины

► **Рис.4:** 1. Рычаг 2. Стопорное основание 3. Пластина 4. Корпус

Инструмент можно настроить на одну из 3 длин шурупов. Для желаемой настройки выдвиньте стопорное основание, нажимая на рычаг до тех пор, пока вы не увидите нужное значение длины шурупов (указано на пластине), которое появится на основании в верхнем правом крае корпуса.

Обратитесь к приведенной ниже таблице, чтобы определить соответствие между номером, указанным на пластине и соответствующим диапазоном длин шурупов.

Число, указанное на пластине	Диапазон длины шурупа (мм)
25/28	25 - 28
32	28 - 35
40	35 - 41

Регулировка глубины закручивания

Нажмите на стопорное основание до упора. Продолжая удерживать его в этом положении, поверните ручку регулировки так, чтобы конец биты выступал из стопорного основания приблизительно на 5 мм. Закрутите пробный шуруп. Если головка шурупа выступает над поверхностью, в которую он закручивается, поверните ручку регулировки в направлении А, если шуруп завернут с углублением в поверхности, поверните ручку регулировки в направлении В.

► **Рис.5:** 1. Стопорное основание 2. Корпус 3. Регулировочная ручка

Действие выключателя

► **Рис.6:** 1. Курковый выключатель

▲ВНИМАНИЕ:

- Перед вставкой блока аккумуляторов в инструмент, всегда проверяйте, что триггерный переключатель работает надлежащим образом и возвращается в положение "ВЫКЛ", если его отпустить.

Для запуска инструмента просто нажмите триггерный переключатель. Отпустите триггерный переключатель для остановки.

Действие реверсивного переключателя

► **Рис.7:** 1. Рычаг реверсивного переключателя

Данный инструмент имеет реверсивный переключатель для изменения направления вращения. Нажмите на рычаг реверсивного переключателя со стороны А для вращения по часовой стрелке или со стороны В для вращения против часовой стрелки. Когда рычаг реверсивного переключателя находится в нейтральном положении, триггерный переключатель нажать нельзя.

▲ВНИМАНИЕ:

- Перед работой всегда проверяйте направление вращения.
- Пользуйтесь реверсивным переключателем только после полной остановки инструмента. Изменение направления вращения до полной остановки инструмента может привести к его повреждению.
- Если инструмент не используется, всегда переводите рычаг реверсивного переключателя в нейтральное положение.

МОНТАЖ

⚠ ВНИМАНИЕ:

- Перед проведением каких-либо работ с инструментом всегда проверяйте, что инструмент отключен, а блок аккумуляторов снят.

Установка или снятие биты

Ослабьте винты-барашки, крепящие корпус. Вытяните корпус в направлении стрелки.

► **Рис.8:** 1. Корпус 2. Винты с накатанной головкой

Нажмите на пылезащитную крышку в сторону подшипника скольжения и извлеките биту. Если пылезащитная крышка не может быть сдвинута к подшипнику скольжения до упора, немного поверните биту и попробуйте еще раз.

Для установки биты вставьте ее в патрон, немного поверачивая биту. После установки всегда проверяйте надежность установки биты, попробовав вытянуть ее.

► **Рис.9:** 1. Бита 2. Пылезащитный кожух
3. Подшипник скольжения

Установка ленты с винтами

► **Рис.10:** 1. Блок подачи 2. Лента с шурупами
3. Направляющая шурупа

► **Рис.11:** 1. Положение закручивания

Установите ленту с винтами через направляющую для винтов. Затем проденьте ее через кожух подачи, пока первый винт не окажется около места закручивания.

Снятие ленты с винтами

Для снятия ленты с шурупами достаточно потянуть ее в направлении, показанном стрелкой.

► **Рис.12**

Если вы нажмете на кнопку реверса, вы сможете извлечь ленту с шурупами в направлении, обратном показанному стрелкой.

► **Рис.13:** 1. Кнопка реверса

Крючок для переноски

Крючок удобно использовать для временного подвешивания инструмента. Он может быть установлен с любой стороны инструмента.

Для снятия крючка раздвиньте его, надавив на его прямые края С ОБЕИХ СТОРОН в направлении, показанном стрелкой (1), и подняв его в направлении, показанном стрелкой (2).

► **Рис.14:** 1. Крючок

ЭКСПЛУАТАЦИЯ

Операция закручивания

► **Рис.15**

Включите инструмент, нажав на курковый выключатель. Крепко держите инструмент перпендикулярно поверхности, куда вы будете закручивать шурупы. Шуруп будет автоматически подан в положение закручивания и затем будет закручен.

⚠ ВНИМАНИЕ:

- Перед закручиванием всегда тщательно проверяйте биту и убедитесь в отсутствии износа. Замените изношенную биту, иначе затяжка шурупов может быть недостаточной.
- Всегда держите инструмент перпендикулярно поверхности закручивания. Установка инструмента под углом может привести к повреждению головки шурупа и износу биты. Это также может привести к неудовлетворительной затяжке.
- Всегда крепко прижимайте инструмент к поверхности, куда вы закручиваете шурупы, до полного заворачивания шурупа. Несоблюдение этого требования может привести к недостаточной затяжке шурупов.
- Будьте внимательны и не заворачивайте следующий шуруп в только что завернутый шуруп.
- Не пользуйтесь инструментом без установленных шурупов. Это приведет к повреждению поверхности, куда вы собираетесь заворачивать шурупы.
- Если при закручивании шурупов блок подачи не работает плавно, разбрызгайте автомобильный воск (в аэрозольной упаковке) на поверхности скольжения. Никогда не смазывайте их.

Закручивание в углу

► **Рис.16:** 1. Стена 2. Стопорное основание

Данный инструмент можно использовать для закручивания на расстоянии в 15 мм от стены, как показано на рисунке.

⚠ ВНИМАНИЕ:

- Закручивание шурупов на расстоянии менее 15 мм от стенки или закручивание со стопорным основанием, соприкасающимся со стенкой, может привести к повреждению головки шурупа и износу биты. Это также приведет к недостаточному закручиванию шурупов и риску повреждения инструмента.

ТЕХОБСЛУЖИВАНИЕ

⚠ ВНИМАНИЕ:

- Перед проведением проверки или работ по техобслуживанию, всегда проверяйте, что инструмент выключен, а блок аккумуляторов вынут.
- Запрещается использовать бензин, лигроин, растворитель, спирт и т.п. Это может привести к изменению цвета, деформации и появлению трещин.

Замена угольных щеток

► Рис.17: 1. Ограничительная метка

Замените, когда износ достигнет ограничительной метки. Угольные щетки всегда должны быть чистыми и свободно перемещаться в держателях. Обе угольные щетки должны заменяться одновременно. Используйте только идентичные угольные щетки. Ослабьте винты-барашки, крепящие корпус. Вытяните корпус в направлении стрелки.

► Рис.18: 1. Корпус 2. Винты с накатанной головкой

Используйте отвертку для отворачивания двух винтов, затем снимите переднюю крышку.

► Рис.19: 1. Передняя крышка 2. Винты

Поднимите часть пружины с ручкой и затем поместите ее в углубленную часть корпуса при помощи тонкой отвертки с плоским жалом или другого подходящего инструмента.

► Рис.20: 1. Пружина 2. Ручка 3. Углубленная часть

Используйте плоскогубцы для снятия колпачков с угольных щеток. Извлеките изношенные угольные щетки, установите новые и установите на место колпачки держателей щеток.

► Рис.21: 1. Колпачок угольной щетки

Убедитесь, что колпачки угольных щеток плотно вошли в отверстия держателей щеток.

► Рис.22: 1. Отверстие 2. Колпачок угольной щетки

Установите на место переднюю крышку и надежно заверните два винта.

Для обеспечения БЕЗОПАСНОСТИ и НАДЕЖНОСТИ оборудования, ремонт, любое другое техобслуживание или регулировку необходимо производить в уполномоченных сервис-центрах Makita, с использованием только сменных частей производства Makita.

ДОПОЛНИТЕЛЬНЫЕ ПРИНАДЛЕЖНОСТИ

⚠ ВНИМАНИЕ:

- Эти принадлежности или насадки рекомендуются использовать вместе с вашим инструментом Makita, описанным в данном руководстве. Использование каких-либо других принадлежностей или насадок может представлять опасность получения травм. Используйте принадлежность или насадку только по указанному назначению.

Если вам необходимо содействие в получении дополнительной информации по этим принадлежностям, свяжитесь со своим местным сервис-центром Makita.

- Полоса шурупов для гипсокартона
- Бита Phillips
- Различные типы оригинальных аккумуляторов и зарядных устройств Makita
- Пластмассовый чемодан для переноски

ПРИМЕЧАНИЕ:

- Некоторые элементы списка могут входить в комплект инструмента в качестве стандартных приспособлений. Они могут отличаться в зависимости от страны.

Makita Europe N.V. Jan-Baptist Vinkstraat 2,
3070 Kortenberg, Belgium

Makita Corporation 3-11-8, Sumiyoshi-cho,
Anjo, Aichi 446-8502 Japan

www.makita.com

885285C918
EN, SV, NO, FI, DA,
LV, LT, ET, RU
20190417